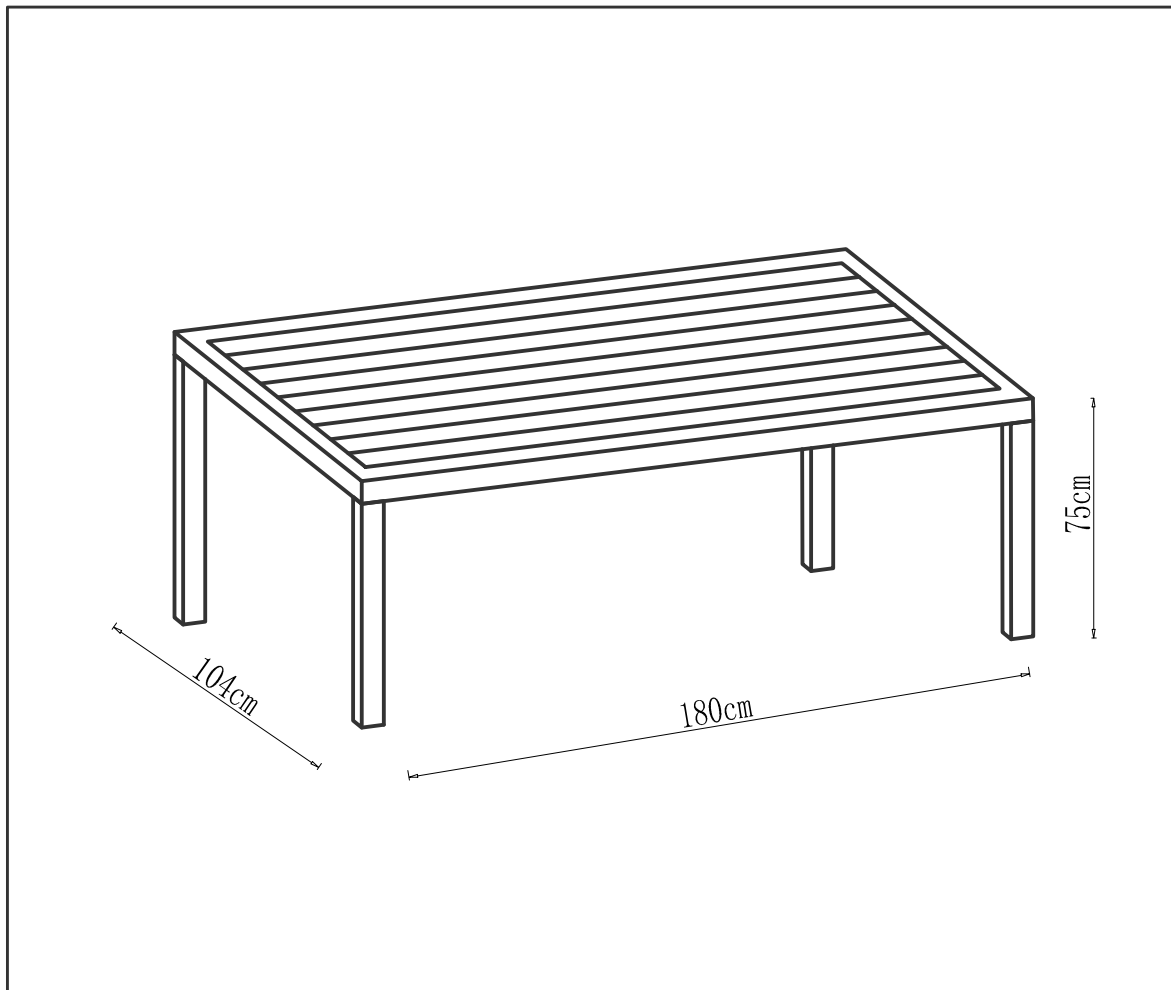




ASSEMBLY INSTRUCTION  
IKAROS OUTDOOR TABLE  
ITEM CODE - 67558

Imported by Amart Furniture Pty Ltd, Qld, Brisbane Australia .  
For any assistance with assembly or for missing parts please phone  
Amart Furniture ,Customer Service Freecall 1800 351 084





Imported by Amart Furniture Pty Ltd, Qld, Brisbane Australia .  
For any assistance with assembly or for missing parts please phone  
Amart Furniture, Customer Service Freecall 1800 351 084

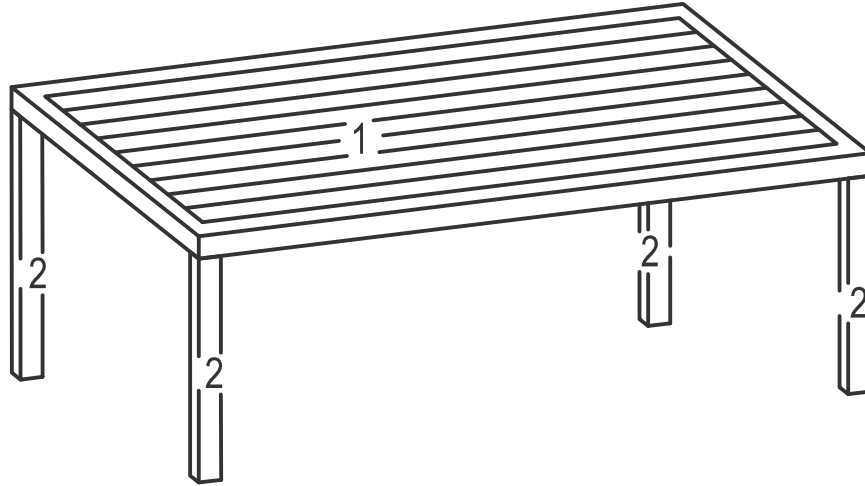
## PRE-ASSEMBLY PREPARATION

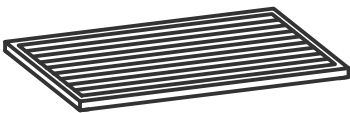

### Before you start:




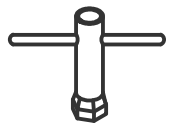

1. Choose a clean, level, spacious assembly area. Avoid hard surfaces that may damage the product.
2. Take care when lifting. Product should be assembled as near as possible to the point of use.
3. Ensure that you have all required contents for complete assembly.
4. Always read the assembly instructions carefully before beginning assembly.
5. Keep all hardware parts and packaging out of reach of small children.
6. Do not over tighten the screws and bolts as this may damage the threads.

	
ALLOW 10 MINUTES	PEOPLE REQUIRED
ADDITIONAL TOOLS REQUIRED	

# PARTS LIST

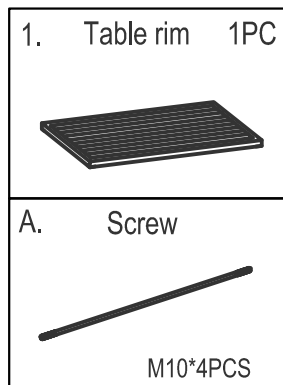


<p>1 Table rim 1PC</p> 	<p>2 Legs 4PCS</p> 
--	--

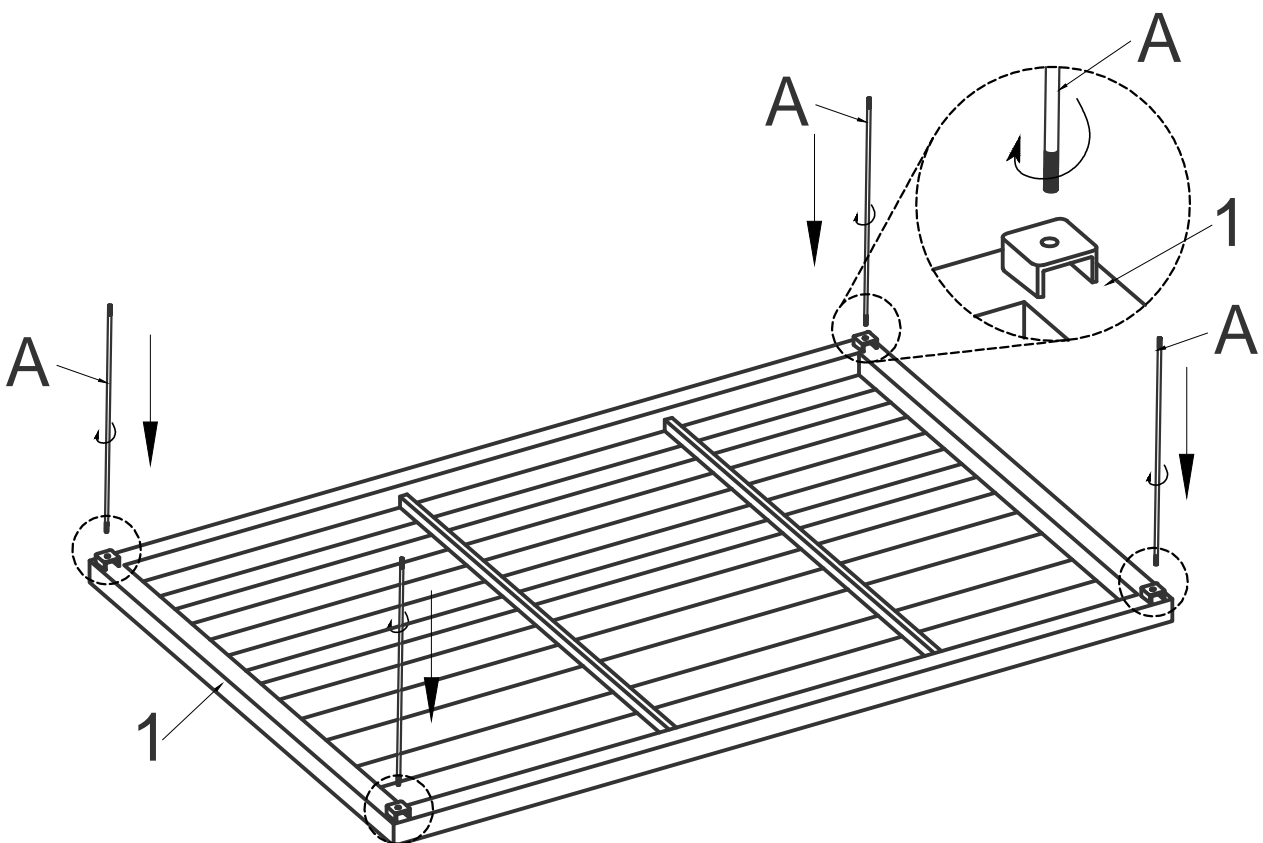
<p>A. Screw</p>  <p>M10*4PCS</p>	<p>B. Nut</p>  <p>M10*4PCS</p>	<p>C. Shim</p>  <p>M10*4PCS</p>	<p>D. Socket Spanner</p>  <p>M10*1PC</p>
<p>E. Spring washer</p>  <p>M10*4PCS</p>			

# Step 1:

## ITEMS REQUIRED




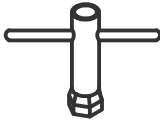



- Attach screw (A) to table rim (1) .

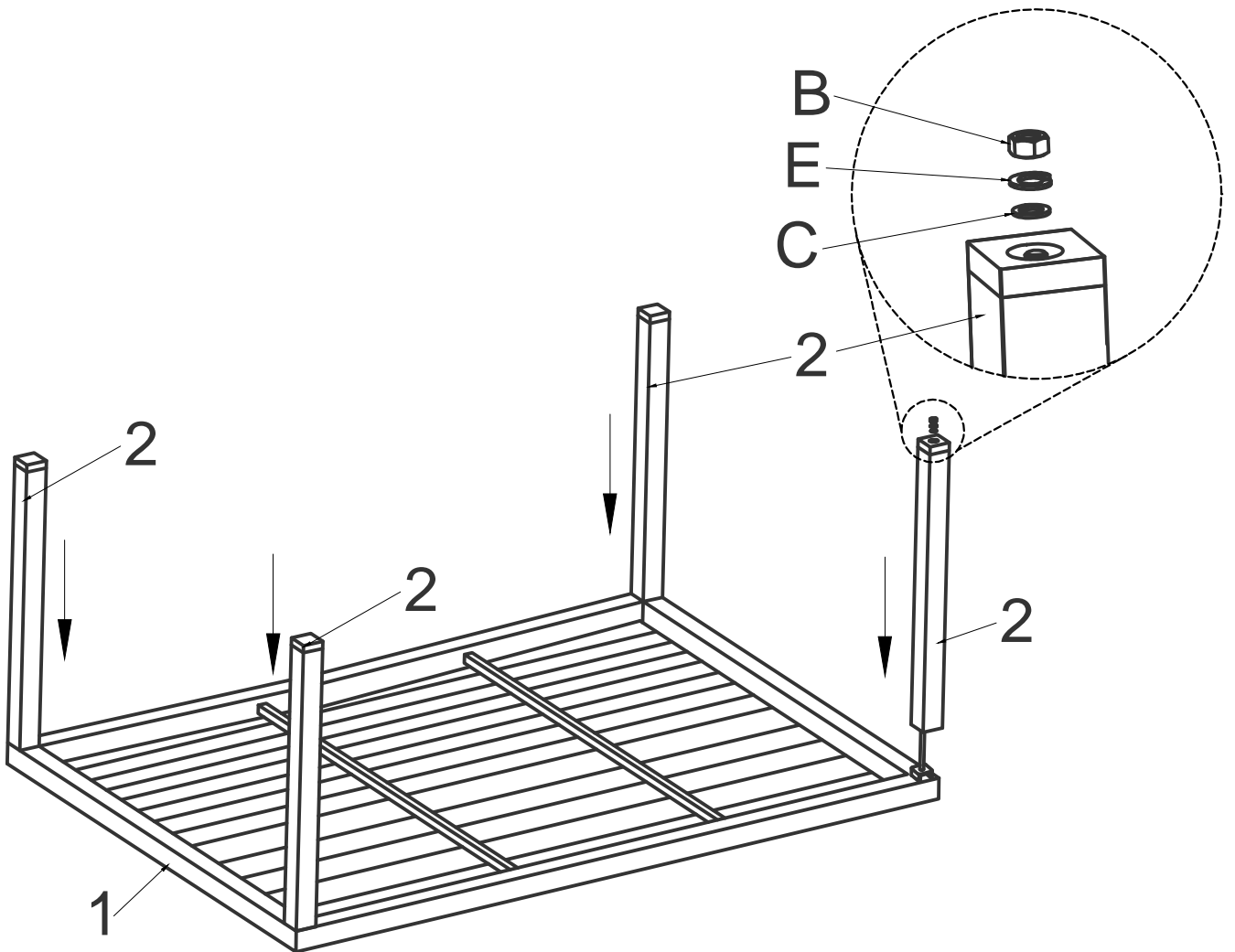


# Step 2:

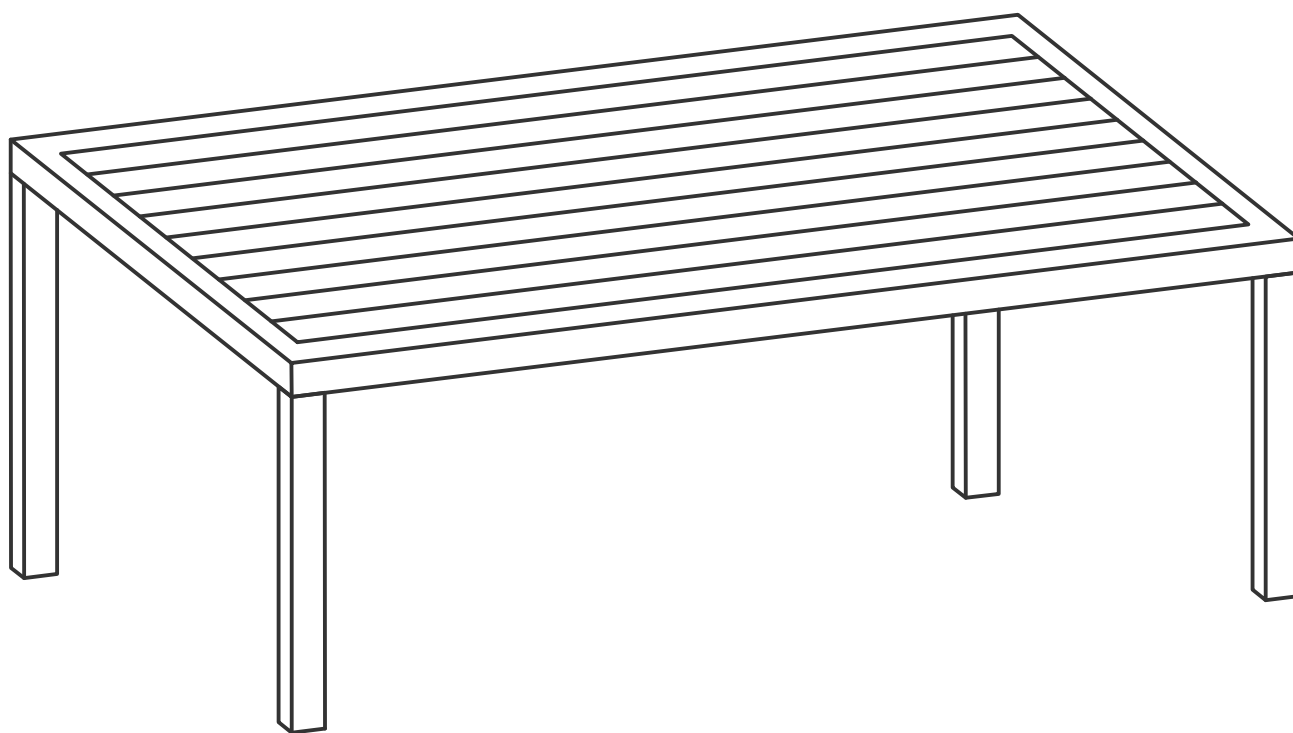
## ITEMS REQUIRED

2. Legs 4PCS 	B. Nut  M10*4PCS	C. Shim  M10*4PCS	D. Socket Spanner  M10*1PC	E. Spring washer  M10*4PCS
---	---	--	---	--

- Attach legs (2) to table rim (1) using nut (B) with spring washer (E) and shim (C).
- Tighten with socket spanner (D).



**ASSEMBLY IS COMPLETE**



# Care and maintenance



---

## Metal

- ☒ Item is designed for use outdoors. However we do not recommend leaving this product outside when not in use. To preserve the life of this item, avoid prolonged exposure to the elements & store inside/under cover or use an outdoor cover.
- ☒ DO NOT allow the furniture to be left in the rain or left wet for extended periods of time.
- ☒ Wipe furniture Dry immediately after it becoming wet.
- ☒ DO NOT clean your furniture down with any harsh solvents, abrasives or chemicals.
- ☒ To remove dirt and grime, simply rinse with fresh water or periodically clean using a sponge and mild detergent solution as required

## Wicker

- ☒ Regular vacuuming and dusting of items is recommended.
- ☒ If weave on wicker becomes lacerated/damaged, do not pull on it as this may cause unravelling.
- ☒ Prolonged exposure to the elements may cause colour fading.
- ☒ To extend the life of your product the use of an Amart approved Outdoor Furniture Cover is highly recommended. Please contact store of purchase for further details.