



**ASSEMBLY INSTRUCTION
CANTERBURY OFFICE CHAIR
ITEM CODE 66263**

Imported by Amart Furniture Pty Ltd, Qld, Brisbane Australia.
For any assistance with assembly or for missing parts please phone
Amart Furniture, Customer Service Free call 1800 351 084



Imported by Amart Furniture Pty Ltd, Qld, Brisbane Australia.
For any assistance with assembly or for missing parts please phone
Amart Furniture, Customer Service Free call 1800 351 084

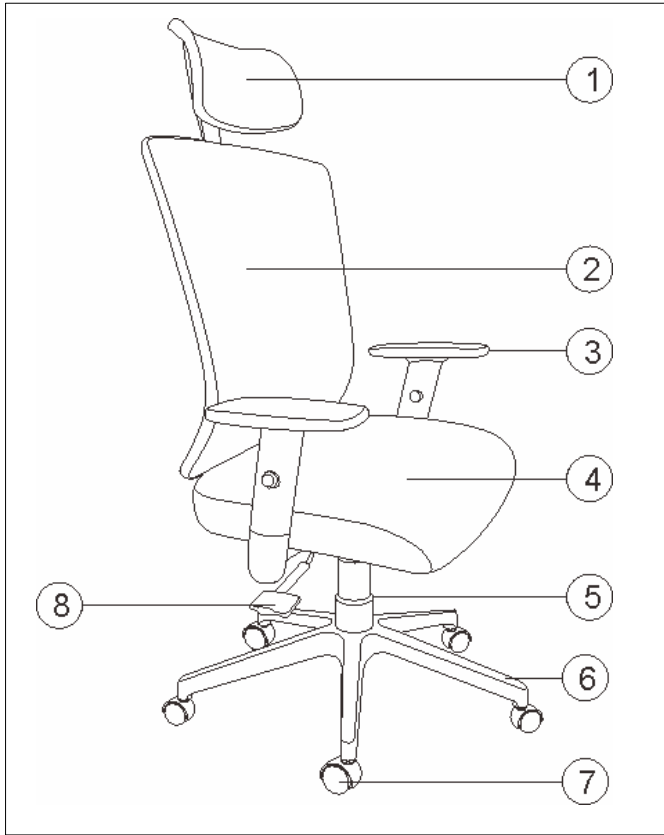
PRE-ASSEMBLY PREPARATION

Before you start:

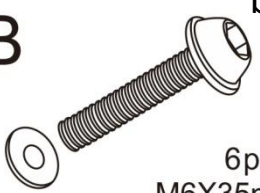
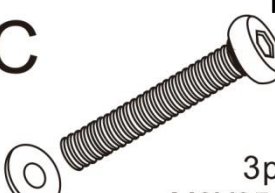



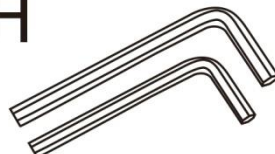
1. Choose a clean, level, spacious assembly area. Avoid hard surfaces that may damage the product
2. Take care when lifting. Product should be assembled as near as possible to the point of use
3. Ensure that you have all required contents for complete assembly
4. Always read the assembly instructions carefully before beginning assembly.
5. Keep all hardware parts and packaging out of reach of small children.
6. Do not over tighten the screws and bolts as this may damage the threads

<p>20 Minutes</p> 	<p>1 PEOPLE REQUIRED FOR THE ASSEMBLY</p> 
<p>ALLOW X MINUTES</p>	<p>PEOPLE REQUIRED</p>
<p> </p>	
<p>ADDITIONAL TOOLS REQUIRED</p>	

PARTS LIST

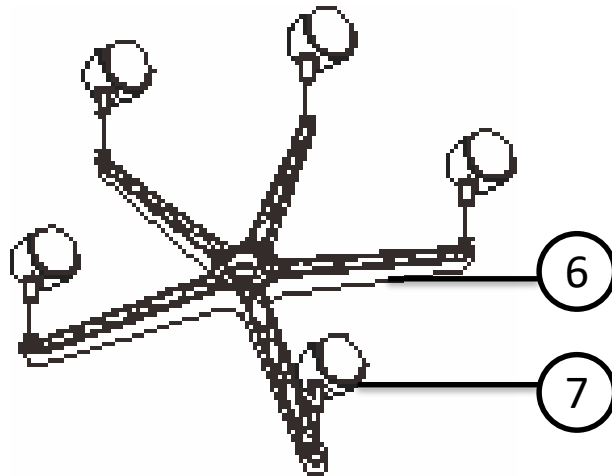


1	HEADREST
2	BACK
3	ARMREST (L)&(R)
4	SEAT
5	GAS LIFT
6	BASE
7	CASTOR
8	MECHANISM

<p>B bolt</p>  <p>6pcs M6X35mm</p>	<p>C bolt</p>  <p>3pcs M8X35mm</p>	<p>D bolt</p>  <p>2pcs M6X20mm</p>
<p>E bolt</p>  <p>4pcs M6X16mm</p>	<p>F Rubber pad</p>  <p>2pcs</p>	<p>H Allen key</p> 

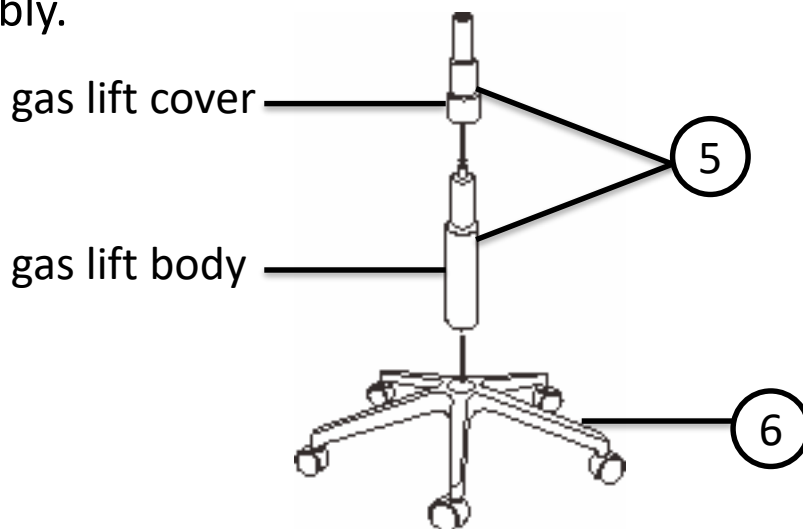
STEP 1:

Insert castor ⑦ to base ⑥.



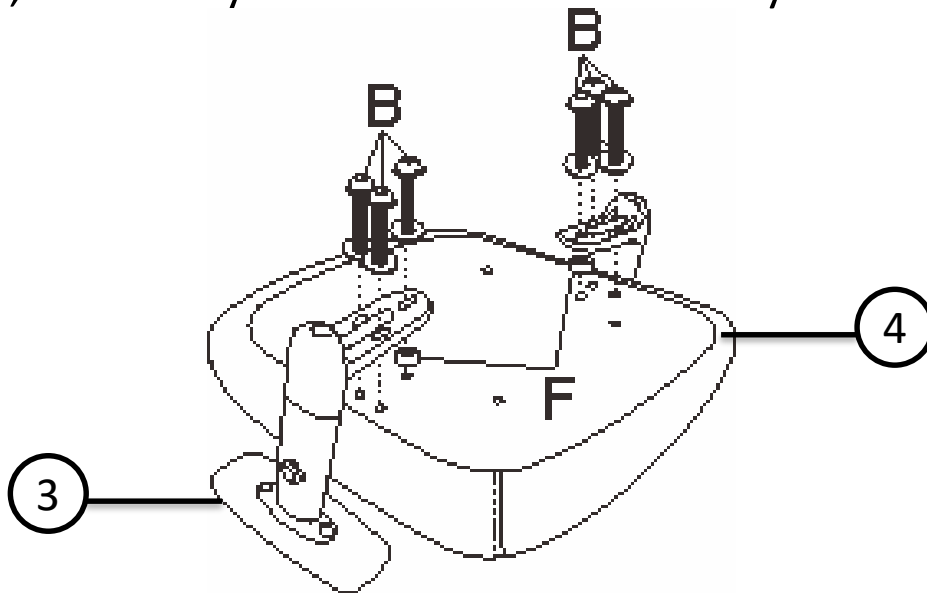
STEP 2:

Put gas lift ⑤ into base ⑥ as instruction shown, then put gas lift cover on gas lift. Remove gas lift cover before assembly.



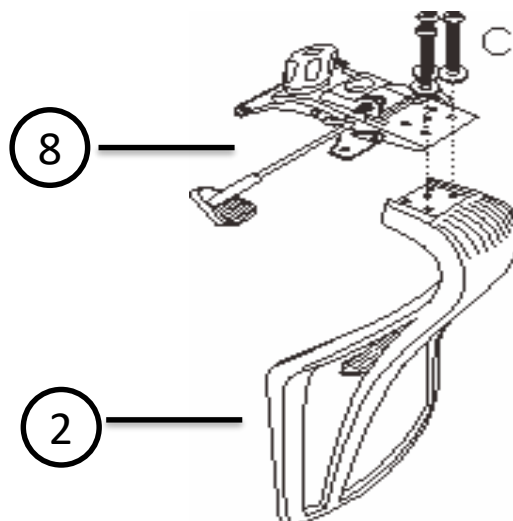
STEP 3:

Put the gasket into the screw B, connect the handrail ③ with the screw B, connect the rubber pad F, connect it to the seat ④, and finally fasten it with an Allen key.

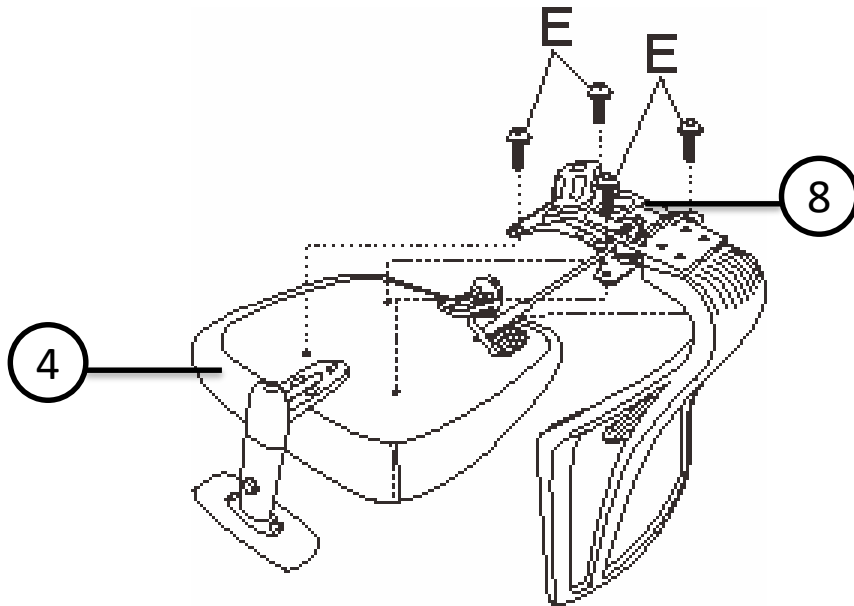


STEP 4:

The metal ring is used to connect the mechanism ⑧. Connect the mechanism to the back ②. Twist the screw C and tighten with the Allen key H.

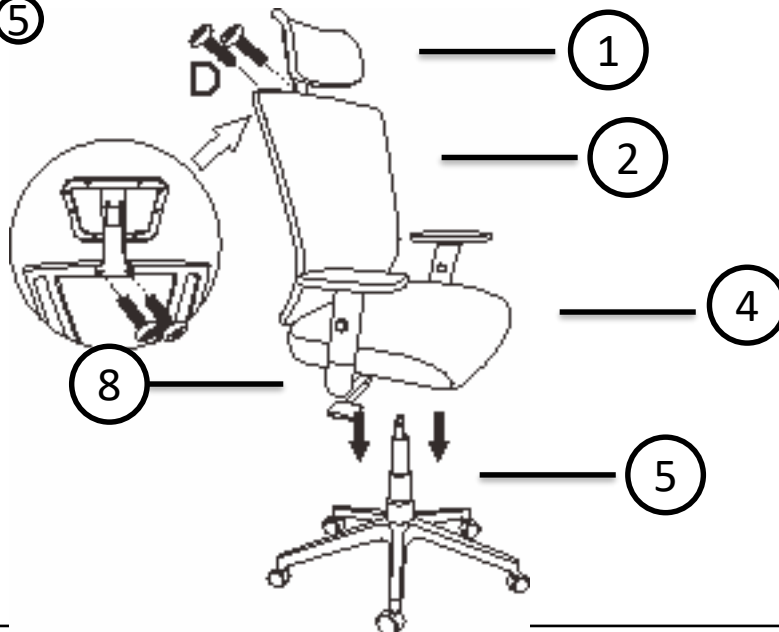


STEP 5: Connect the mechanism ⑧ to the seat ④, and fasten the screw E to the mechanism with an Allen key.

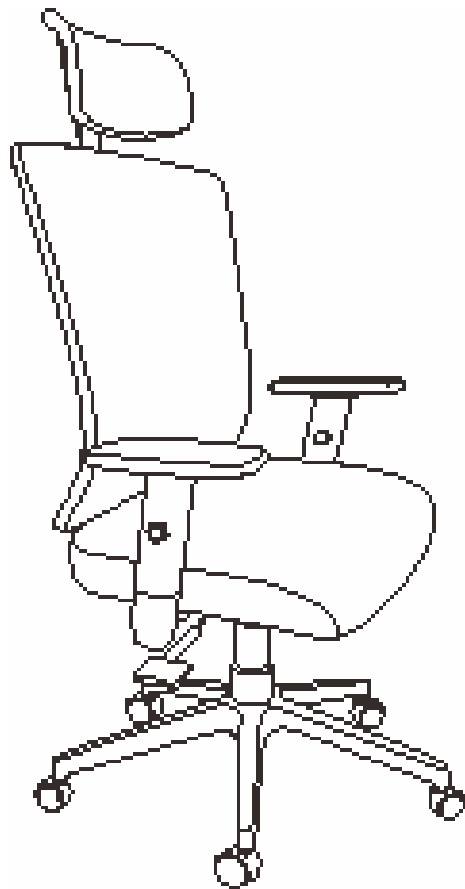


STEP 6:

Connect the screw D to the headrest ① on the connection back and fasten it with an Allen key. Put the whole back ⑧ and seat to the gas lift ⑤, make sure the mechanism hole directly into the gas lift ⑤



STEP 5:
Assembly is complete.



To protect your furniture, we suggest the following:

- *Avoid placing your furniture in direct sunlight.
- *Do not place furniture directly under windows.
- *Do not place sharp materials (knife, fork, etc.) directly onto your furniture as sharp material may scrape and damage the finish.
- *Do not place material with high temperature directly onto the surface of your furniture.
- *Clean up spills quickly. Water left over a prolonged period of time may cause damage. Alcohol, perfume, nail polishes, aftershave and some medication may cause severe finish damage if not cleaned immediately.
- *Use a clean, soft, dry, lint free absorbent cloth to clean your furniture. Do not use any detergent as they may contain ingredients that may react and damage the finish.

NOTE: If the above care advise is not adhered to your product warranty may become void