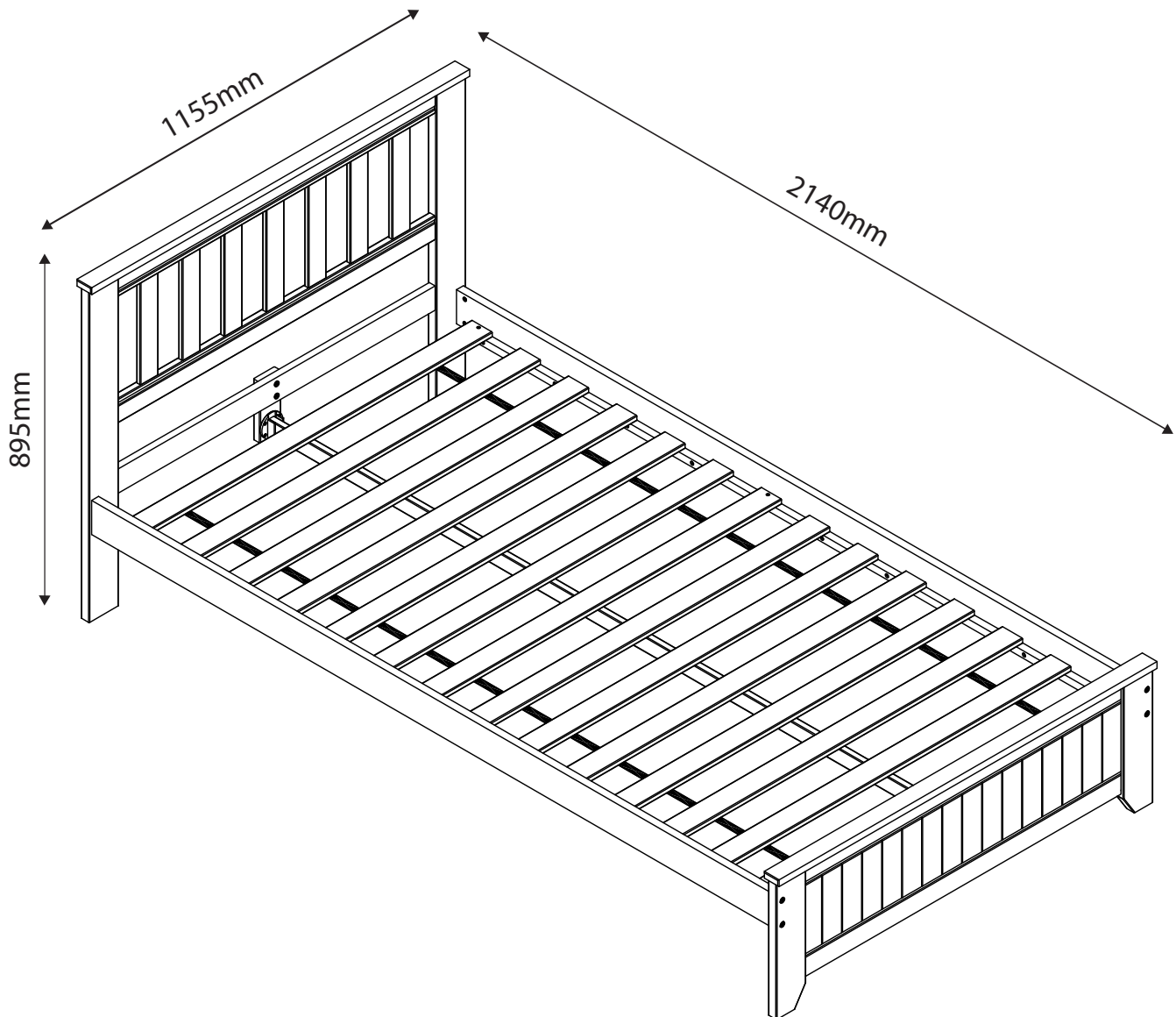


**ASSEMBLY INSTRUCTION**  
**CAPTAIN JACK KING SINGLE BED**  
**ITEM CODE : 80711**

Imported by Amart Furniture Pty Ltd, Qld, Brisbane Australia.  
For any assistance with assembly or for missing parts please phone  
Amart Furniture Pty Ltd Customer Service Free call 1800 351 084

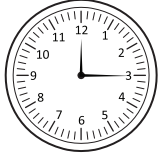

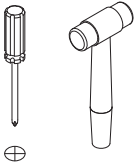



Imported by Amart Furniture Pty Ltd, Qld, Brisbane Australia.  
For any assistance with assembly or for missing parts please phone  
Amart Furniture Pty Ltd, Customer Service Free call 1800 351 084

## PRE-ASSEMBLY PREPARATION

### Before you start:

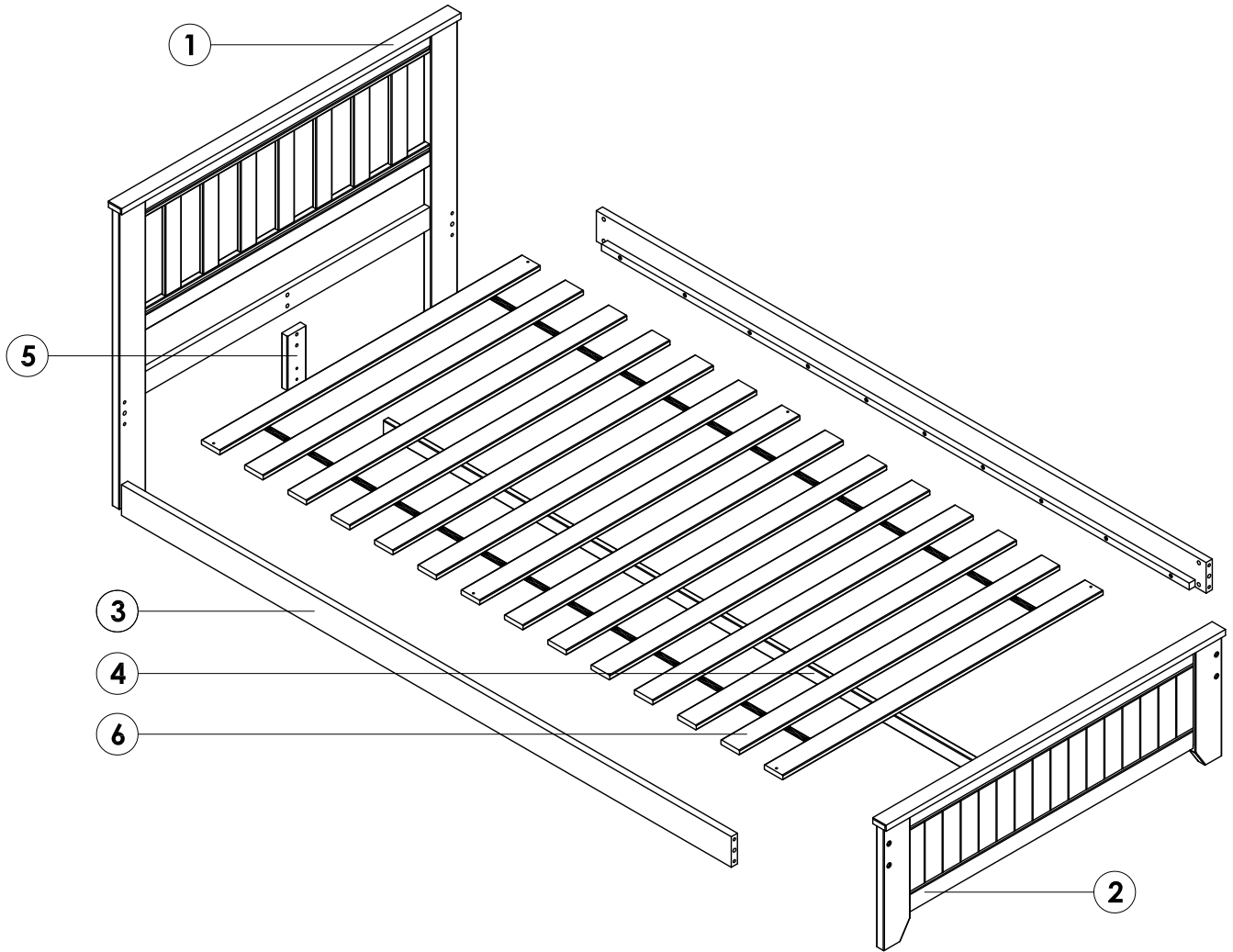
1. Choose a clean, level, spacious assembly area. Avoid hard surfaces that may damage the product.
2. Take care when lifting. Product should be assembled as near as possible to the point of use.
3. Ensure that you have all required contents for complete assembly.
4. Always read the assembly instructions carefully before beginning assembly.
5. Keep all hardware parts and packaging out of reach of small children.
6. Do not over tighten the screws and bolts as this may damage the threads.
7. Do not use power drills and drivers for tighten the screws and bolts as this may damage the item.

	
ALLOW 15 MINUTES	2 PERSON REQUIRED
	
ADDITIONAL TOOLS REQUIRED	NO POWER DRILL

### WARNING :

- This bed can present a serious risk of injury from strangulation if not used correctly. Never attach or hang items to any part of the bed that are not designed to be used with the bed, for example, but not limited to ropes, strings, cords, hooks, belts and bags.
- Do not use the bed if any structural part is broken or missing.
- Prohibit horseplay on or under the bed.
- Prohibit jumping on the bed.
- All assembly fastenings should always be tightened properly and that care should be taken that no fittings are loose. Periodically check all fastenings to ensure they are secure.

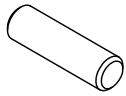
# PART LIST



1	HEADBOARD	(X1)	4	CENTER SUPPORT	(X1)
2	FOOTBOARD	(X1)	5	SUPPORT RAIL	(X1)
3	SIDE RAIL	(X2)	6	WOODEN SLAT (64 x 1087 = 14)	(X1)

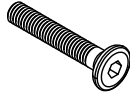
## HARDWARE LIST

**A. PLASTIC DOWEL (M10 x 35MM)**



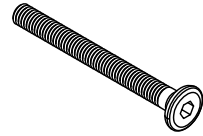
**4 PCS**

**B. JCBC BOLT (M6 x 35MM)**



**2 PCS**

**C. JCBC BOLT (M6 x 60MM)**



**8 PCS**

**D. JRN NUT (M6 x 13MM)**



**8 PCS**

**E. JCN NUT (M6 x 12MM)**



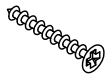
**2 PCS**

**F. CSK C/B SCREW (M3.5 x 16MM)**



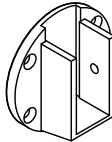
**10 PCS**

**G. CSK C/B SCREW (M4 x 32MM)**



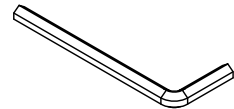
**6 PCS**

**H. 944 BED BRACKET**



**2 PCS**

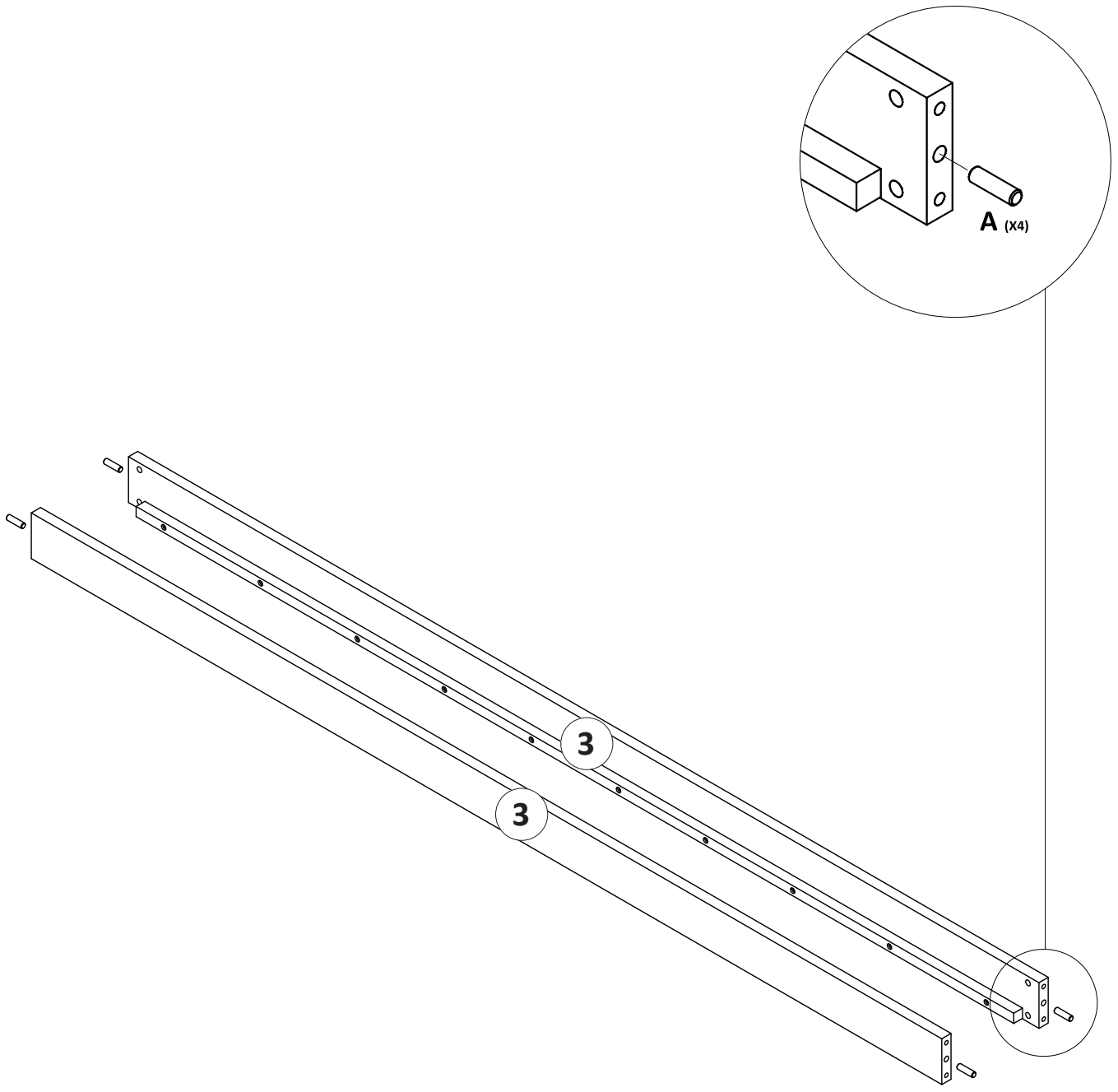
**J. ALLEN KEY (M4 x 60MM)**



**2 PCS**

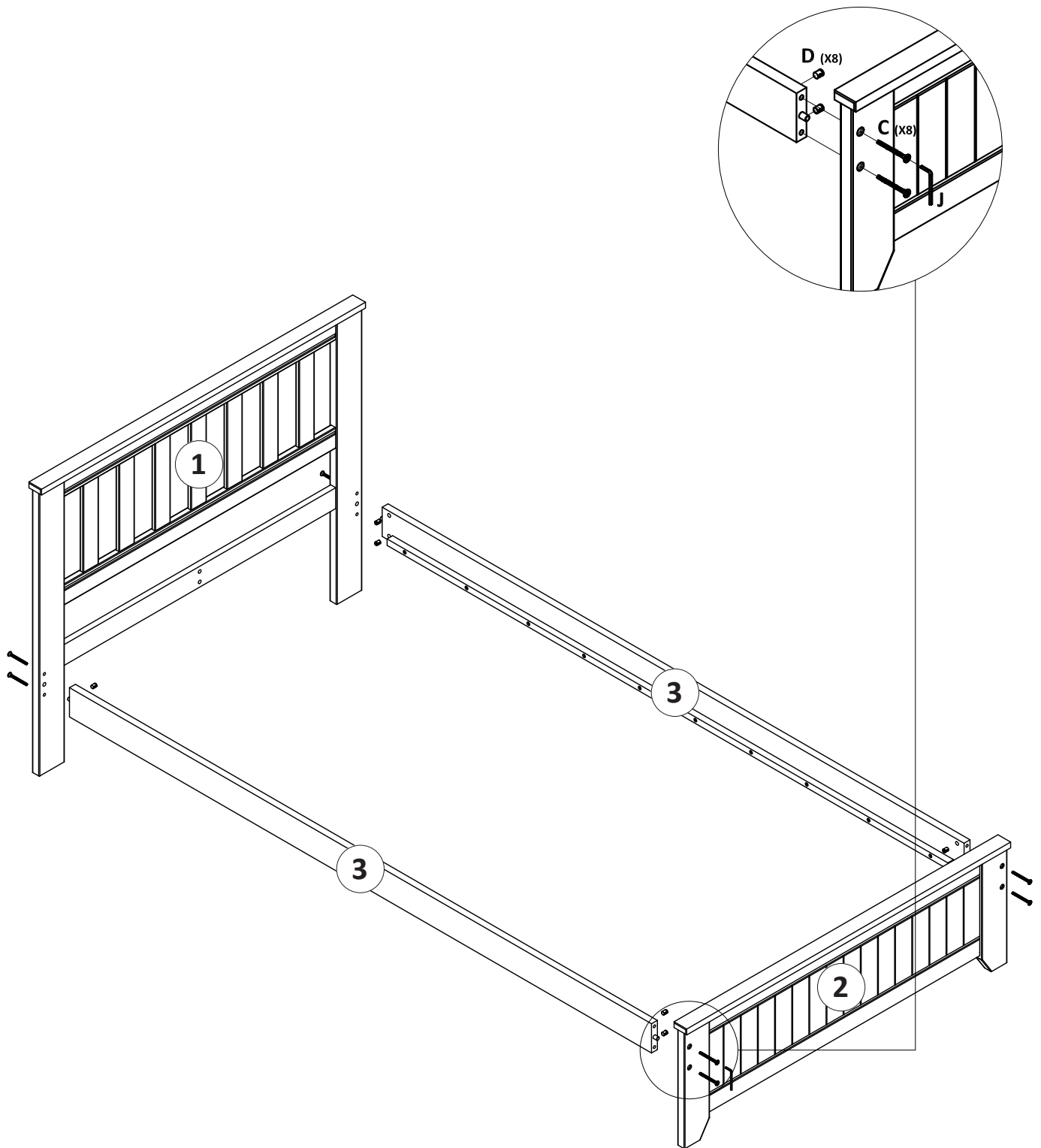
# STEP 1

Insert **Dowels (A)** into  $\varnothing 10\text{MM}$  holes on **Side Rails** by using a Rubber Hammer.



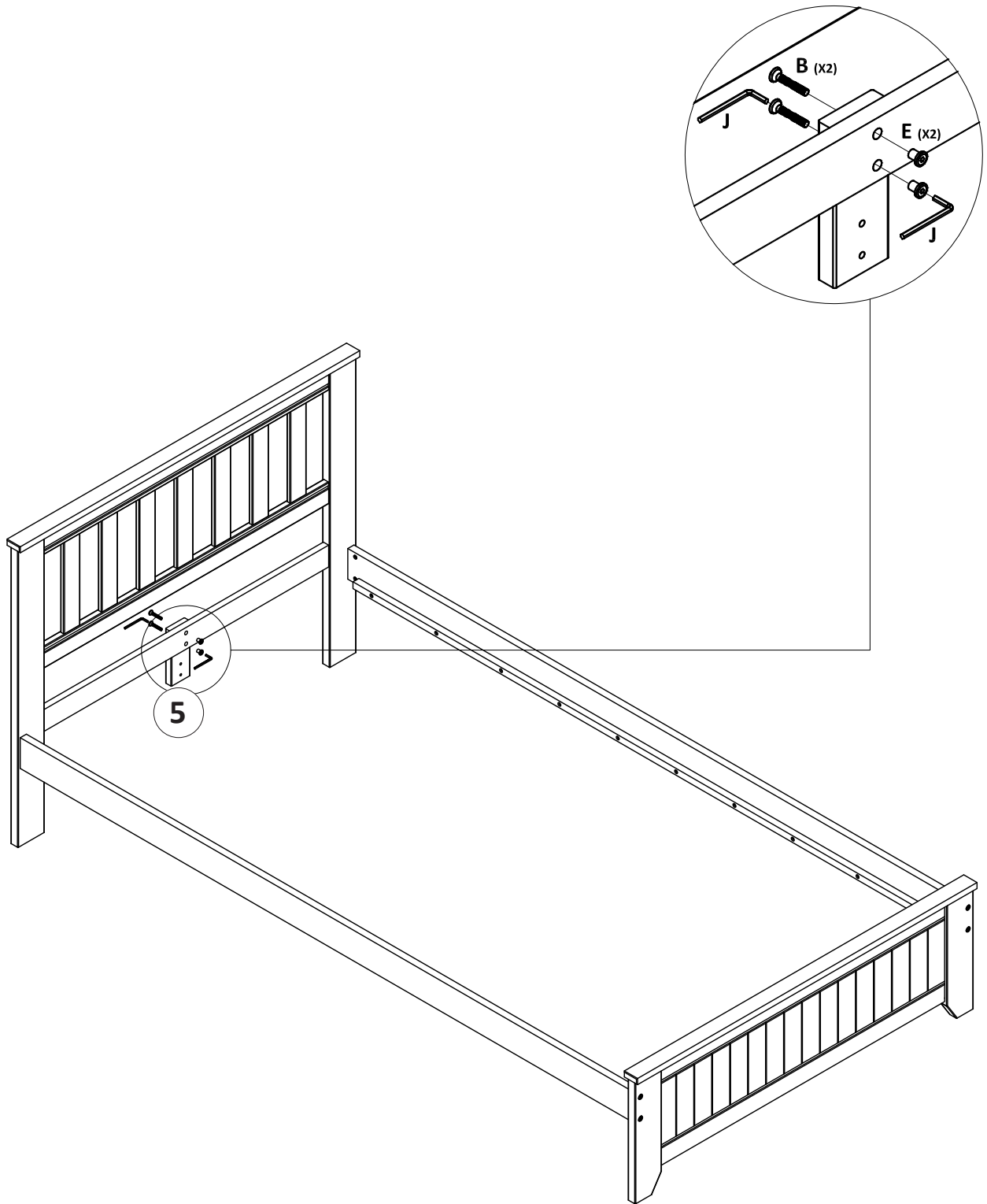
## STEP 2

Attach Side Rails to Headboard & Footboard by using Bolts (B) and Nuts (C), tighten it up by using an Allen Key (J).



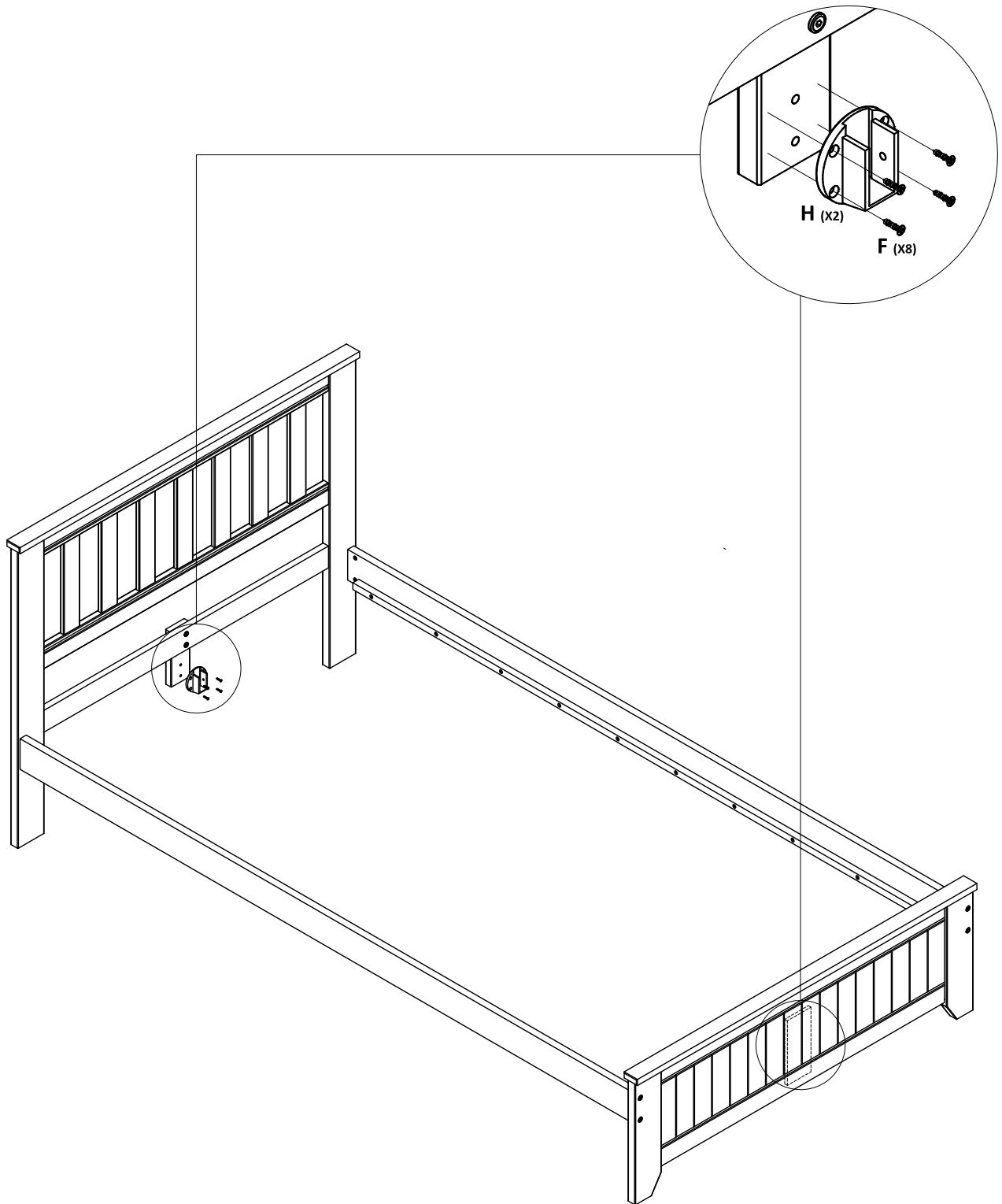
### STEP 3

Attach and Support Rail onto Headboard by using Bolts (B) and Nuts (E), tighten it up by using Allen Key (J).



## STEP 4

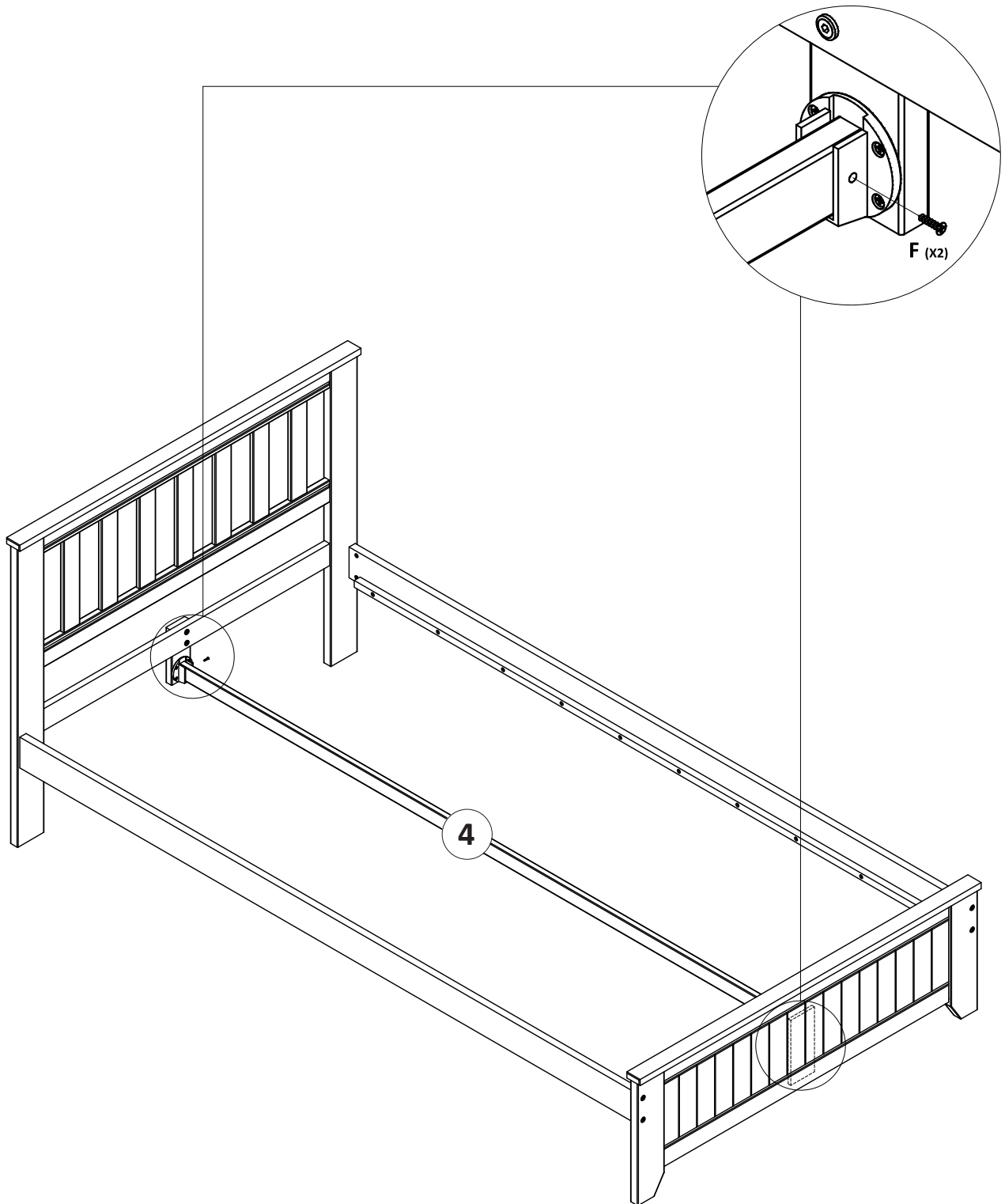
Attach and secure **Bracket (H)** onto **Support Rail** and **Footboard** by using **Screws (F)**, tighten it up by using a Crosshead Screw Driver.





## STEP 5

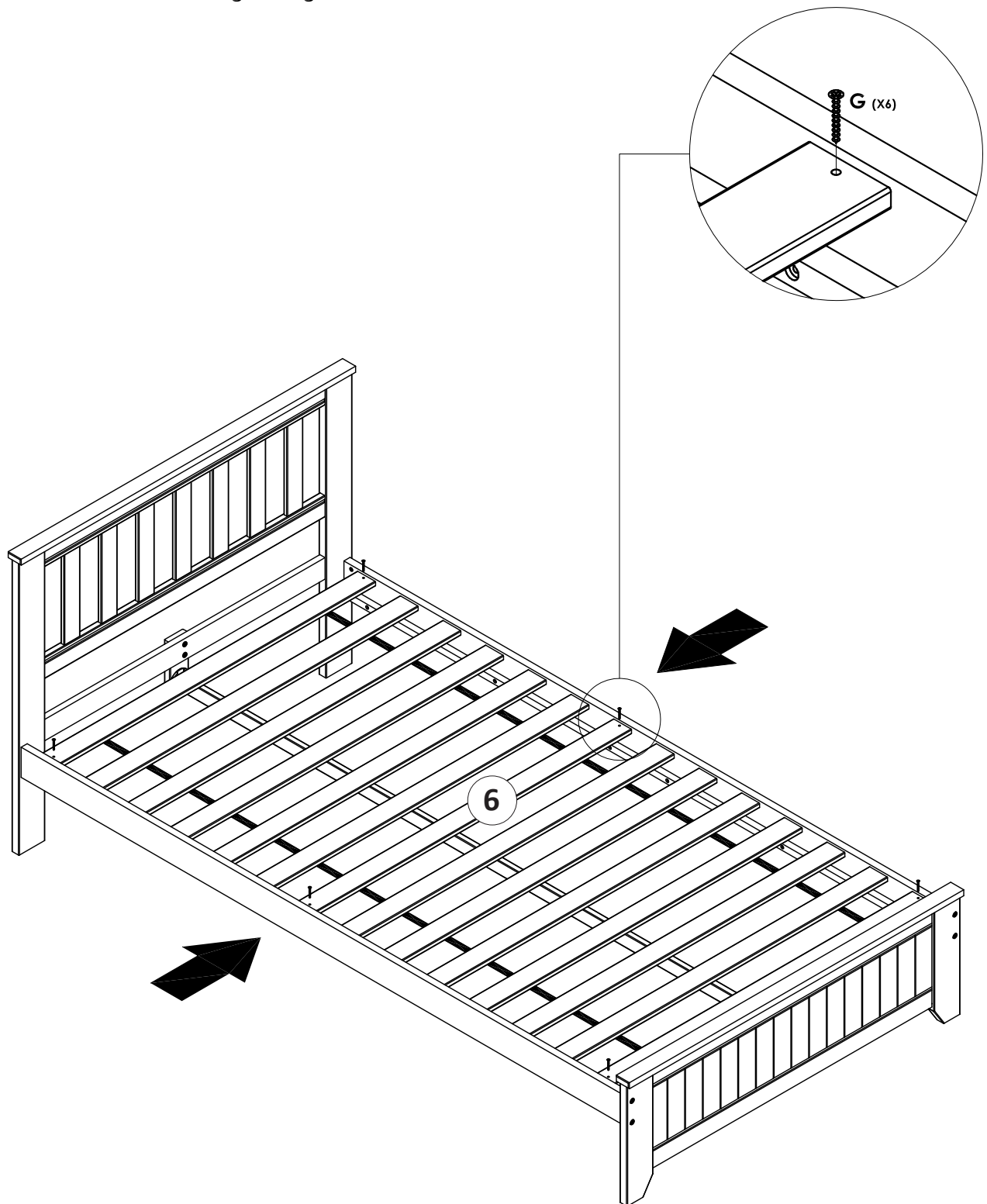
Attach and secure **Center Support** onto **Bracket (H)** by using **Screws (F)**, tighten it up by using a Crosshead Screw Driver.



## STEP 6

Attach **Wooden Slats** onto **Side Rails** by using **Screws (G)**, tighten it up by using a Crosshead Screw Driver. Go on to complete the **Assembly**.

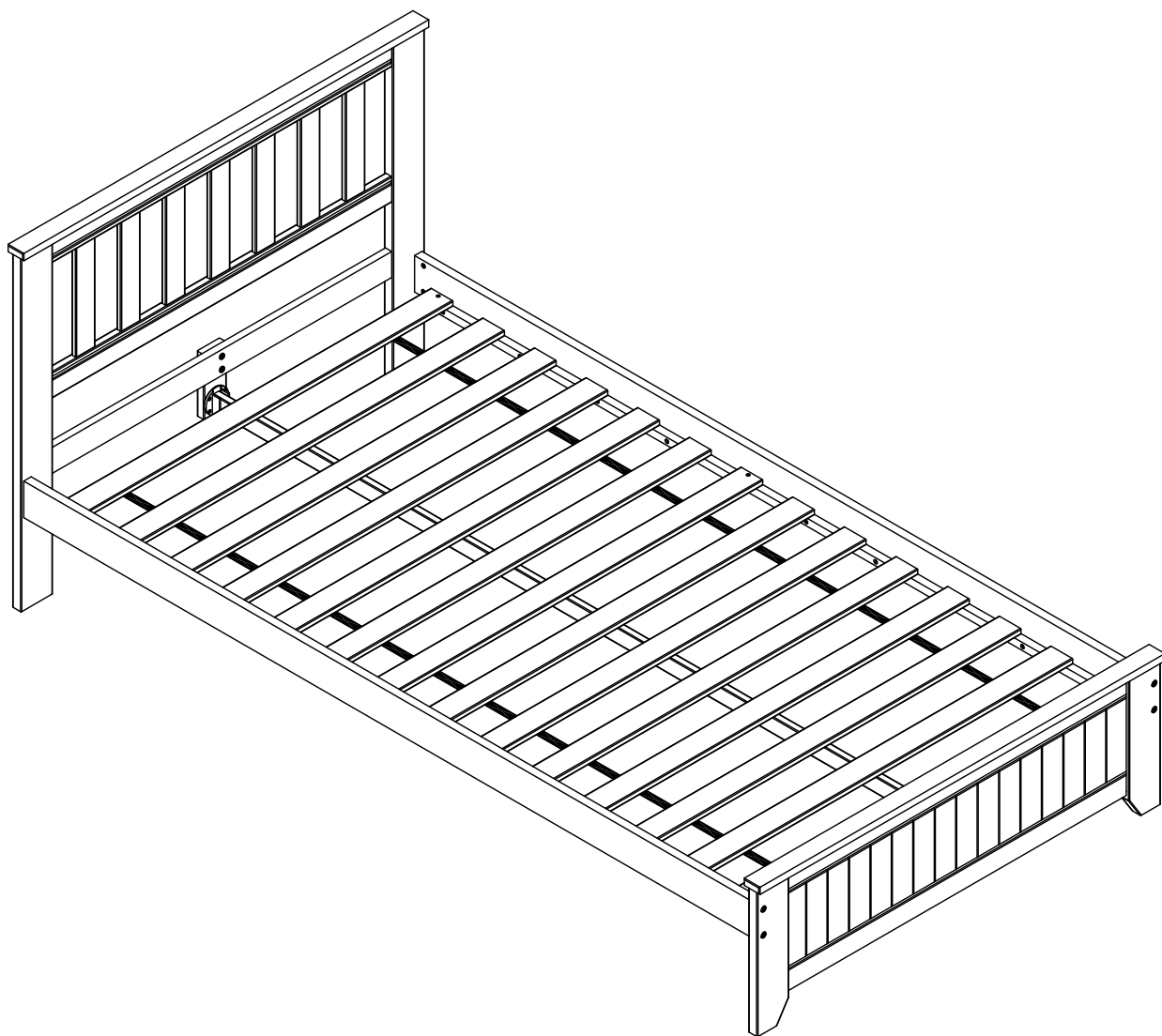
\*Align both **Side Rails** before tightening the screws.



## ASSEMBLY IS COMPLETE

### CAUTION

ALWAYS LIFT YOUR BED WHEN MOVING/RELOCATING-DO NOT DRAG.  
DRAGGING CAN CAUSE DAMAGE TO THE BED



## **IMPORTANT : PRODUCT CARE FOR TIMBER ITEMS**

As our timber is supplied from sustainable forests there will be natural variations in surface texture and grain like knots, mineral streaks and sap runs that may affect the finish. These differences in character are not defects, but distinctions that make each piece of furniture unique.

Our furniture is built to last. Following these steps for basic care should protect your investment for years to come.

- Dust frequently with a clean damp lint-free cloth. This will help remove abrasive build up which can damage a finish over time.
- Do not place hot objects on any furniture surface. Always use a hot plate or placemat. Laminate and lacquer finishes on table tops provide added scratch and heat resistance to our furniture, but they can still be damaged without proper care.
- Avoid exposing your furniture to strong sunlight, heat outlet, open windows or dampness. Prolonged exposure to direct sunlight can fade the finish of your furniture, while extreme temperature and humidity changes can cause cracking or splitting.
- Do not expose your furniture to any liquids. Never allow water to sit on your furniture. Alcohol, nail polish and perfume are also dangerous as they will dissolve the lacquer finish on contact and may require professional repairs.
- Do not allow plastic to come in direct contact with your furniture. Chemicals in plastic of placemats etc. may soften and mark the finish if left in contact with the furniture for a period of time.