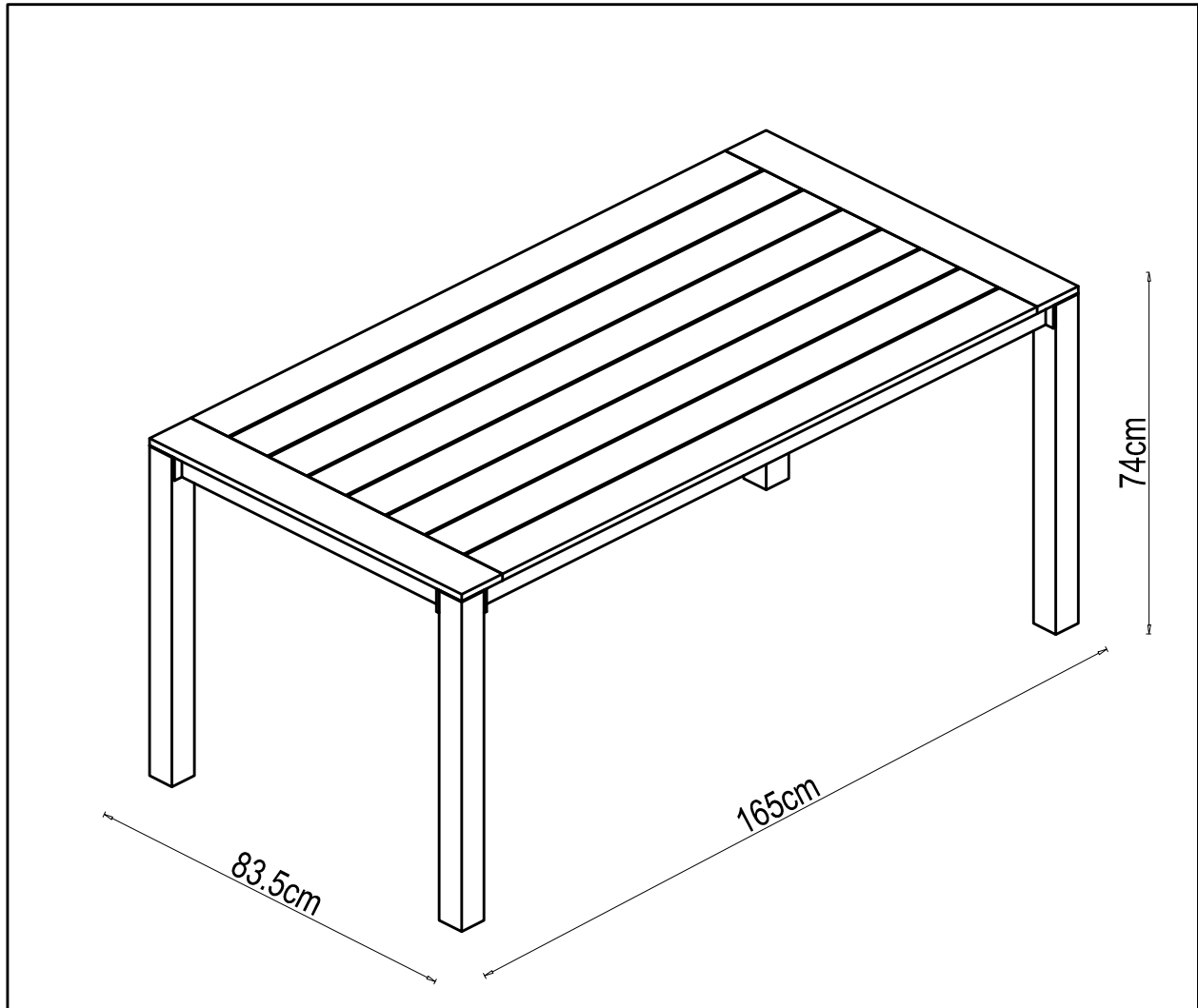




ASSEMBLY INSTRUCTION
OAKLYN OUTDOOR DINING TABLE

ITEM CODE - 75216

Imported by Amart Furniture Pty Ltd, Qld, Brisbane Australia .
For any assistance with assembly or for missing parts please phone
Amart Furniture , Customer Service Freecall 1800 351 084


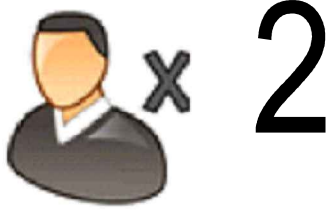


Imported by Amart Furniture Pty Ltd, Qld, Brisbane Australia .
For any assistance with assembly or for missing parts please phone
Amart Furniture, Customer Service Freecall 1800 351 084

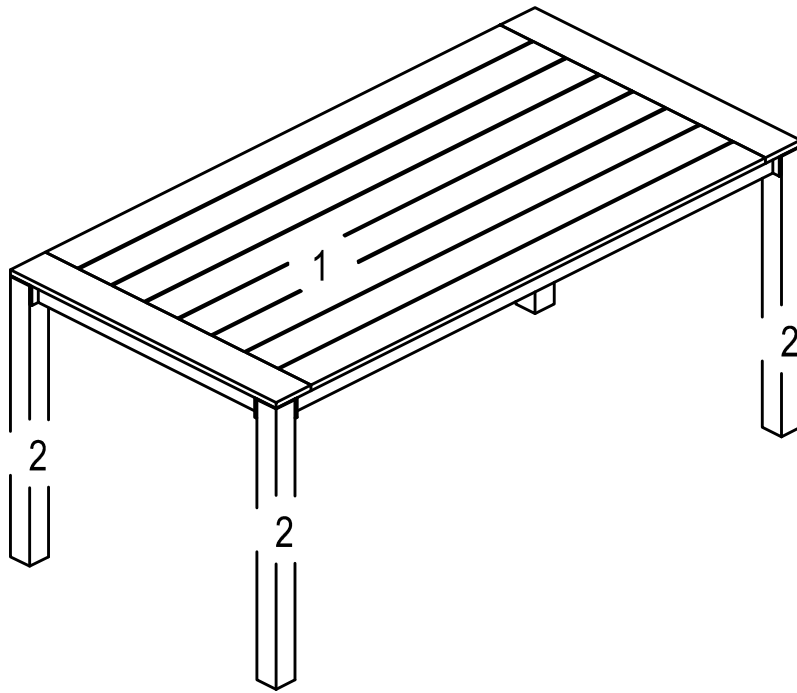
PRE-ASSEMBLY PREPARATION



Before you start:

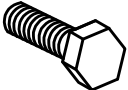
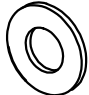


1. Choose a clean, level, spacious assembly area. Avoid hard surfaces that may damage the product.
2. Take care when lifting. Product should be assembled as near as possible to the point of use.
3. Ensure that you have all required contents for complete assembly.
4. Always read the assembly instructions carefully before beginning assembly.
5. Keep all hardware parts and packaging out of reach of small children.
6. Do not over tighten the screws and bolts as this may damage the threads.

| | |
|---|--|
|  |  |
| ALLOW 10 MINUTES | PEOPLE REQUIRED |
| ADDITIONAL TOOLS REQUIRED | |

PARTS LIST

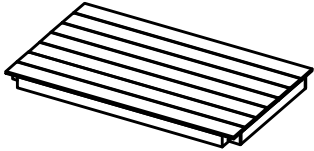
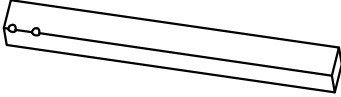
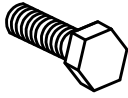
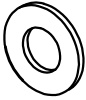




| | |
|--|--|
| <p>1. Table Top</p>  <p>1PC</p> | <p>2. Legs</p>  <p>4PCS</p> |
|--|--|

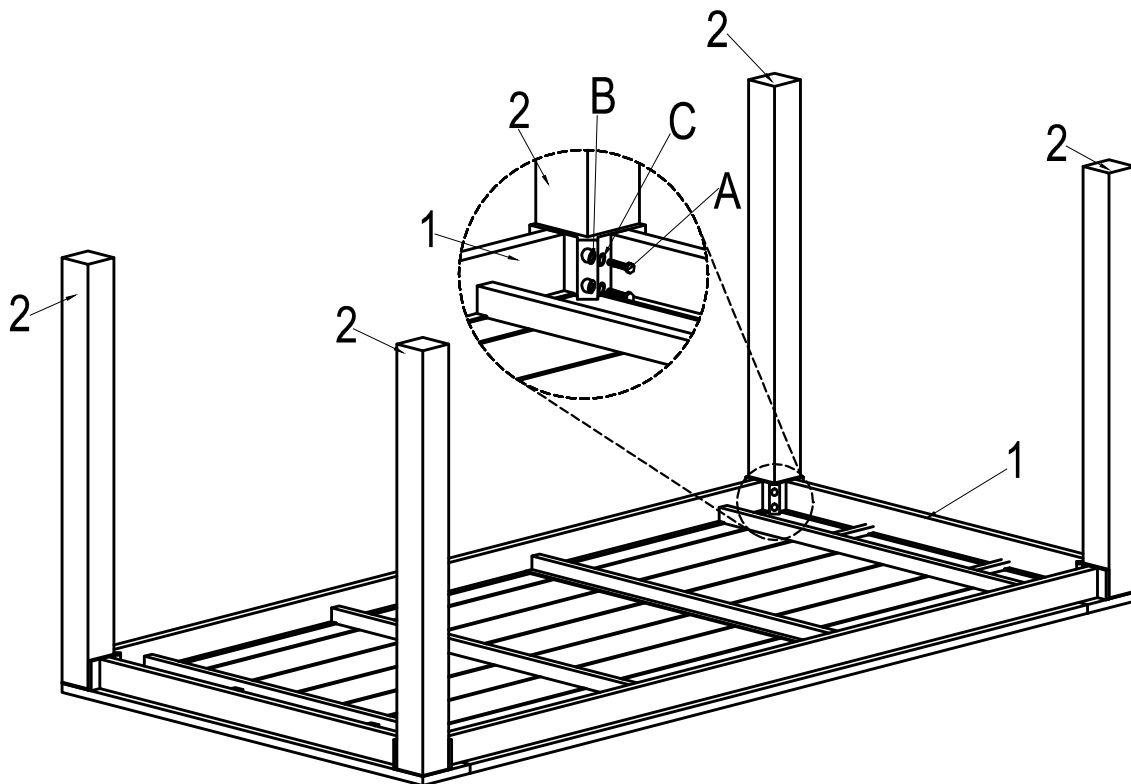
| | | | |
|--|---|---|--|
| <p>A. Bolt</p>  <p>M8*40*8PCS</p> | <p>B. Washer</p>  <p>M8*8PCS</p> | <p>C. Spring Washer</p>  <p>M8*8PCS</p> | <p>D. Wrench</p>  <p>M8*1PC</p> |
|--|---|---|--|

Step 1:

ITEMS REQUIRED

| | | | |
|--|---|---|--|
| 1. Table Top 1PC  | 2. Legs 4PCS  | | |
| A. Bolt  M8*40*8PCS | B. Washer  M8*8PCS | C. Spring Washer  M8*8PCS | D. Wrench  M8*1PC |

- Attach legs (2) to table top (1) using bolt (A) with washer (B) and spring washer (C) .
- Insert all bolts before fully tightening .
- Tighten with wrench (D) .

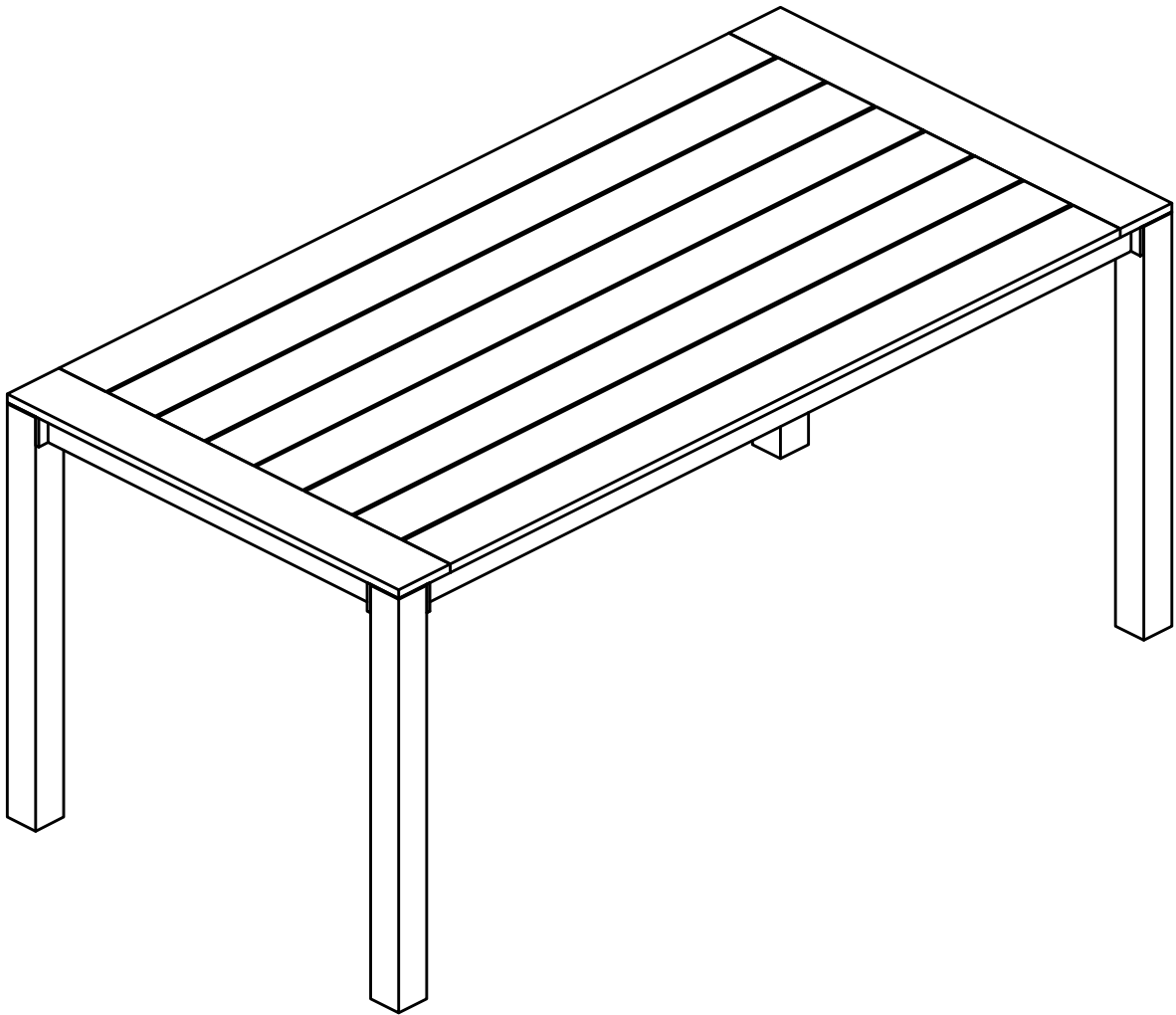


ASSEMBLY IS COMPLETE

DO NOT DRAG:

Do not drag the item as this may cause damage to the legs.

Instead, use 2 people to lift carefully and with caution from either end.



Care and maintenance



Timbers

- ☒ Prolonged exposure of timber items to the elements may cause premature deterioration
- ☒ Regular vacuuming and dusting of items is recommended
- ☒ Timber requires regular maintenance and upkeep. Please use the appropriate product to maintain your product (oil/wax), if you are unsure of which product is suitable – please contact the store that you purchased from
- ☒ Minor cracking of timber is a natural process and will not compromise the strength of the timber
- ☒ To extend the life of your product the use of an Amart approved Outdoor Furniture Cover is highly recommended.
- ☒ Please contact store of purchase for further details.

Aluminium

- ☒ Item is designed for use outdoors. However we do not recommend leaving this product outside when not in use. To preserve the life of this item, avoid prolonged exposure to the elements & store inside/under cover or use an outdoor cover.
- ☒ DO NOT allow the furniture to be left in the rain or left wet for extended periods of time.
- ☒ Wipe furniture Dry immediately after it becoming wet.
- ☒ DO NOT clean your furniture down with any harsh solvents, abrasives or chemicals.
- ☒ To remove dirt and grime, simply rinse with fresh water or periodically clean using a sponge and mild detergent solution as required