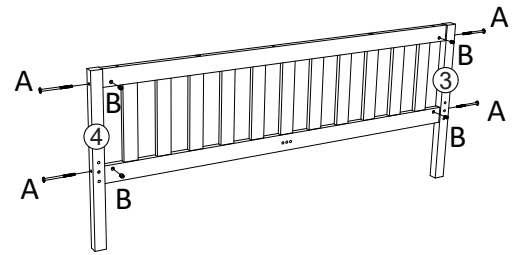
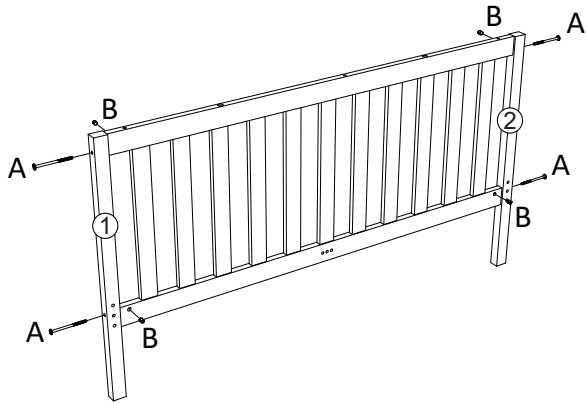


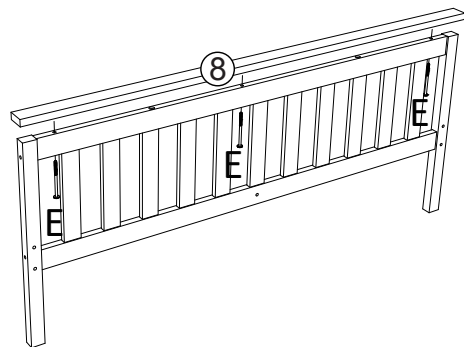
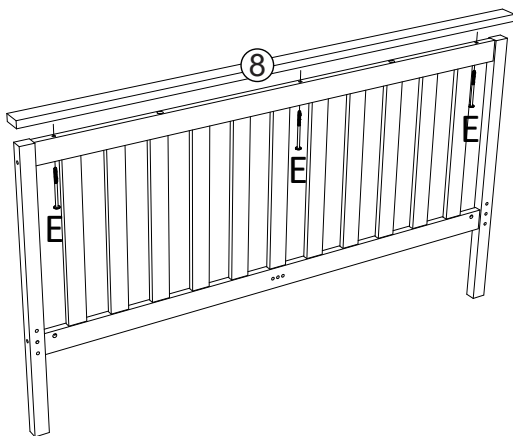
STEP 3:

- Assemble headboard left post(1)&headboard right post(2) with assembled headboard frame with 4pcs JCBC bolt(A)&4pcs nut(B);
- Assemble footboard left post(3)&footboard right post(4) with assembled footboard frame with 4pcs JCBC bolt(A)&4pcs nut(B).



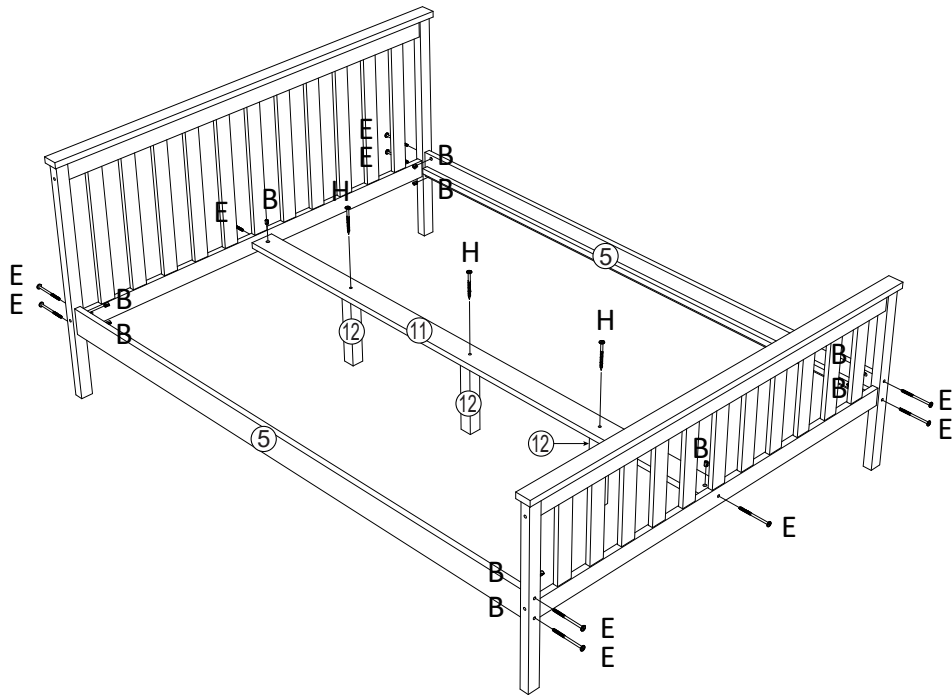
STEP 4:

- Assemble the top(8) on headboard frame with 3pcs x JCBC bolt(E);
- Assemble the top(8) on footboard frame with 3pcs x JCBC bolt(E).

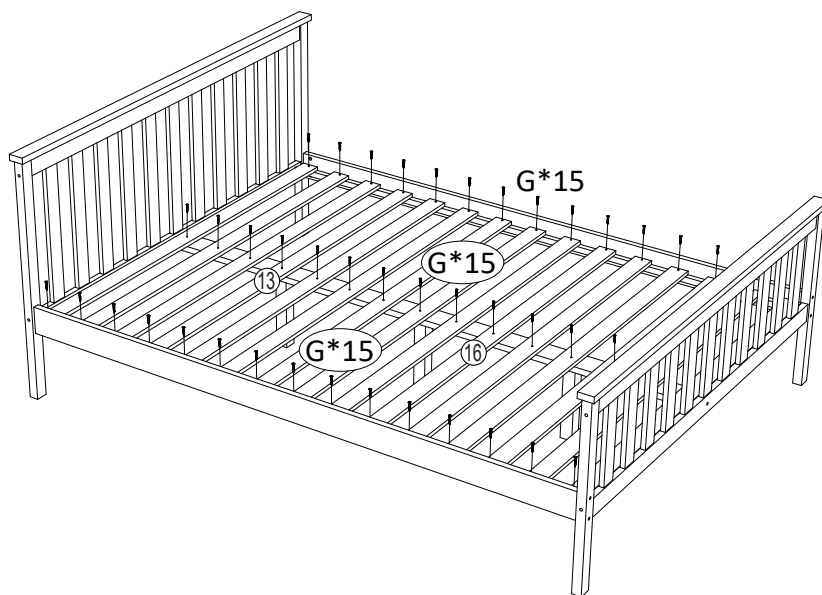


STEP 5:

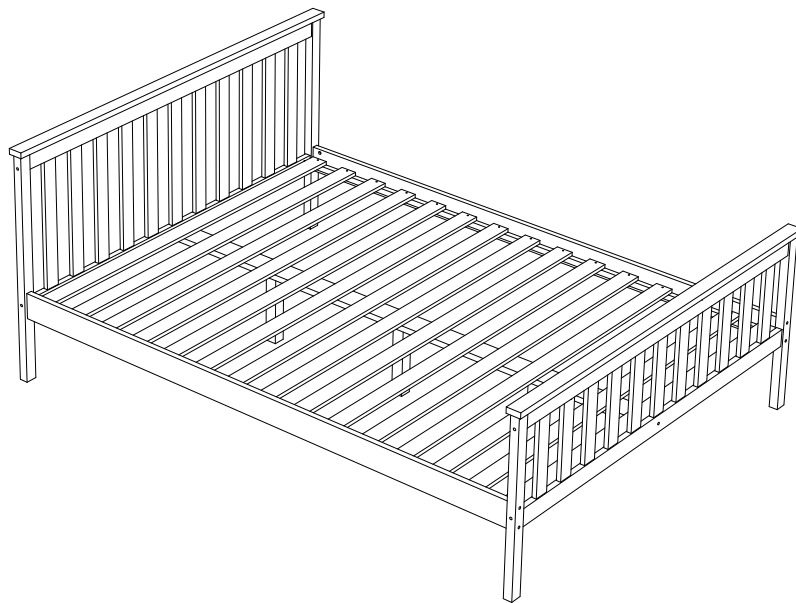
- Assemble the siderails(5)¢re rail(11)&headboard&footboard with 10pcs x JCBC bolt(E)&10pcs x nut(B);
- Secure 3pcs x screw(H) to assemble 3pcs x support leg(12) with centre rail(11);



STEP 6:



Assembly Is Complete



PRODUCT CARE:

To protect your furniture, we suggest the following:

- Avoid placing your furniture in direct sunlight.
- Do not place furniture directly under windows.
- Do not place sharp materials (knife, fork, etc.) directly onto your furniture as sharp material may scrape and damage the finish.
- Do not place material with high temperature directly onto the surface of your furniture.
- Clean up spills quickly. Water left over a prolonged period of time may cause damage. Alcohol, perfume, nail polishes, aftershave and some medication may cause severe finish damage if not cleaned immediately.
- Use a clean, soft, dry, lint free absorbent cloth to clean your furniture. Do not use any detergent as they may contain ingredients that may react and damage the finish.

