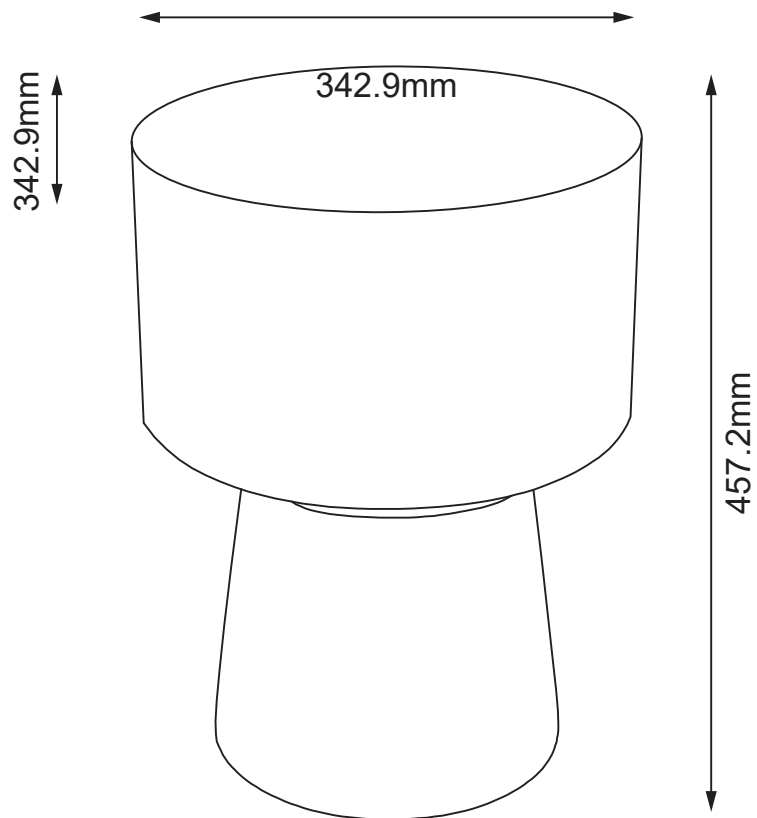


ASSEMBLY INSTRUCTION

ROSAS

LAMP TABLE

81925

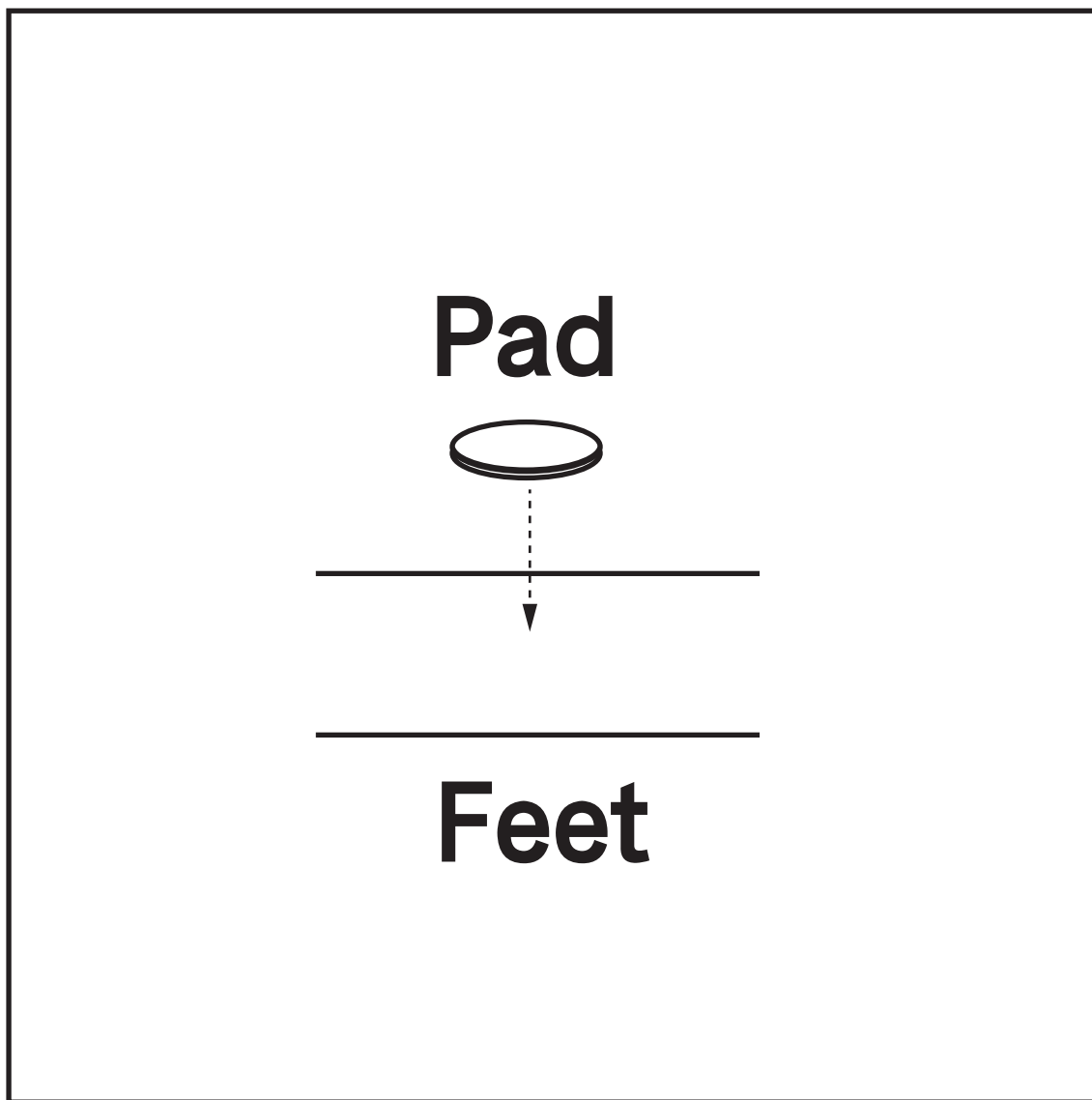


Imported by JWA Furniture Pty Ltd, Qld, Brisbane Australia.
For any assistance with assembly or for missing parts please refer to your receipt

PAD INSTRUCTIONS

To protect your product and floor, we provide pads to customers. As the picture show, customer could paste pads on the bottom of product feet.

NOTE: Please adjust the pastelocation of pads according to the actual situation.



PRODUCT CARE:

If the glass is chipped or broken, stop using the product and consult place of purchase.

WARNING:

- Do not place very hot or cold items on the glass surface unless adequately thick table mats are used to prevent such items coming in contact with the glass
- Do not sit or stand upon the glass surface
- Do not use the glass as a chopping surface
- Do not strike the glass with hard or pointed items
- When cleaning the glass panels use a damp cloth or leather with washing up liquid or soft soap if necessary. Do not use washing powders or any other substances containing abrasives since these may scratch the glass