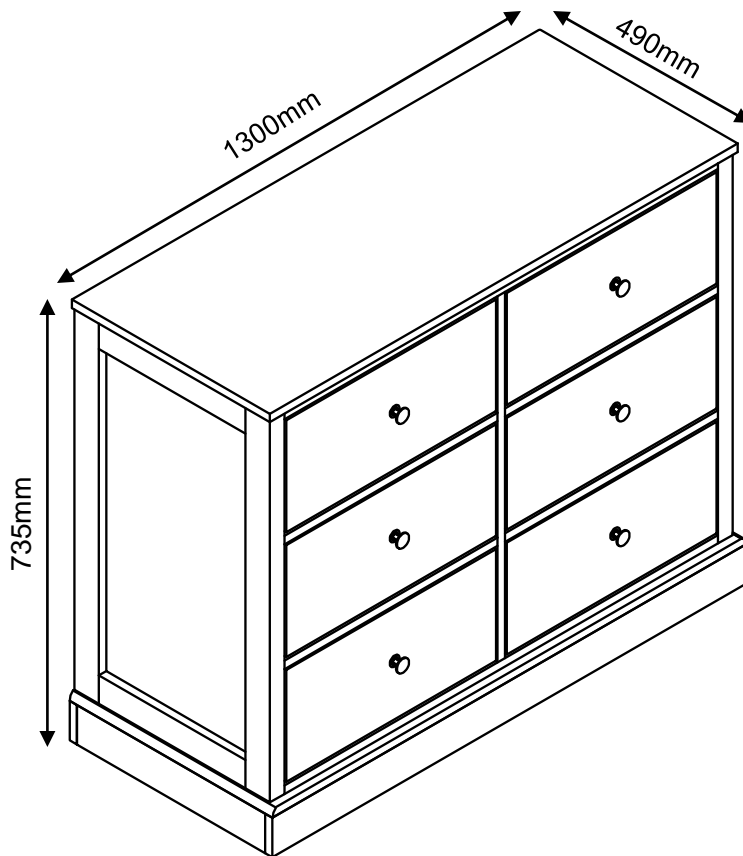


ASSEMBLY INSTRUCTION

MARSH DRESSER

Item Code 81690

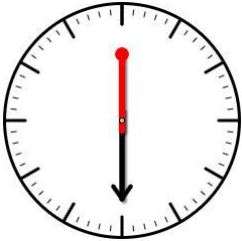
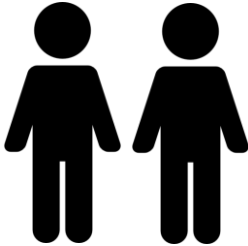



Imported by JWA Furniture Pty Ltd, Qld, Brisbane Australia.
For any assistance with assembly or for missing parts please refer to your receipt

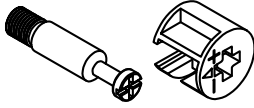
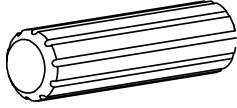


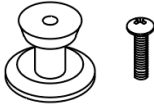



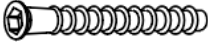


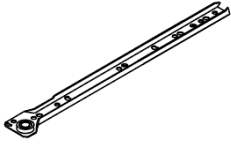
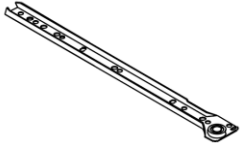
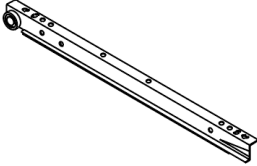
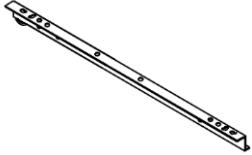
PRE-ASSEMBLY PREPARATION

Before you start:

1. Choose a clean, level, spacious assembly area. Avoid hard surfaces that may damage the product
2. Take care when lifting. Product should be assembled as near as possible to the point of use
3. Ensure that you have all required contents for complete assembly
4. Always read the assembly instructions carefully before beginning assembly.
5. Keep all hardware parts and packaging out of reach of small children.
6. Do not over tighten the screws and bolts as this may damage the threads
7. Assembly is to be carried out by a competent adult(s) ONLY
8. During assembly, children should be kept away from the product due to possible risk to injury.
9. Do not use this item if any components are missing or damaged.
10. Please keep the instructions for future reference.

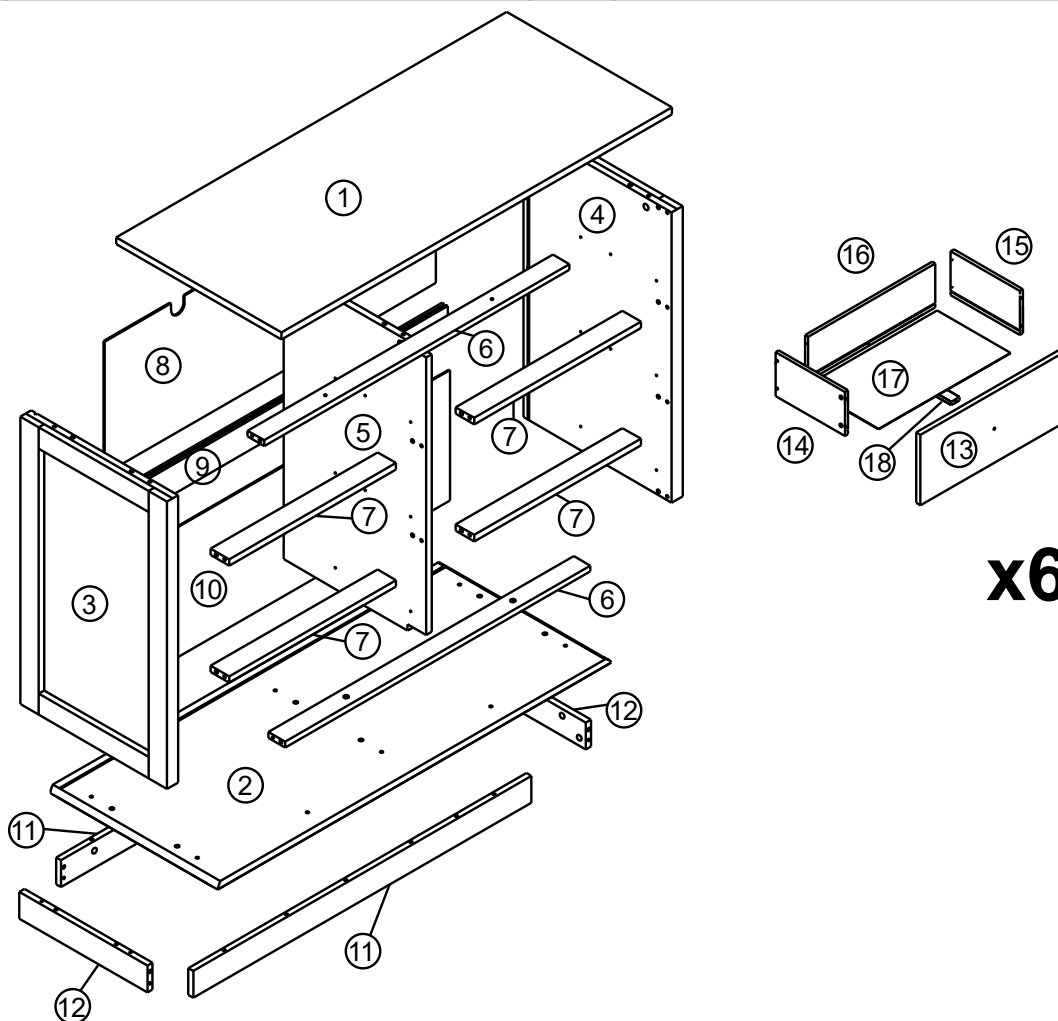
		
Allow 30 min	For 2 person	Additional tools required

PARTS LIST

<p>A Mini fix x 68pcs</p> 	<p>B Wooden Dowel Φ6x30mm x 32pcs</p> 	<p>C Screw M4x40mm x 33pcs</p> 	<p>D Screw M3.5x12mm x 72pcs</p> 
<p>E Handle with screw x 6sets</p> 	<p>F Back brackets with screw x 8pcs</p> 	<p>G Screw M4x20mm x 4pcs</p> 	<p>H Anti-tips x 2sets</p> 
<p>I JCBC bolt M5x50mm x 6pcs</p> 	<p>J H3 Allen Key x 1pcs</p> 	<p>K Wooden Dowel Φ6x50mm x 2pcs</p> 	<p>CL x 6pcs</p> 
<p>CR x 6pcs</p> 	<p>DR x 6pcs</p> 	<p>DL x 6pcs</p> 	

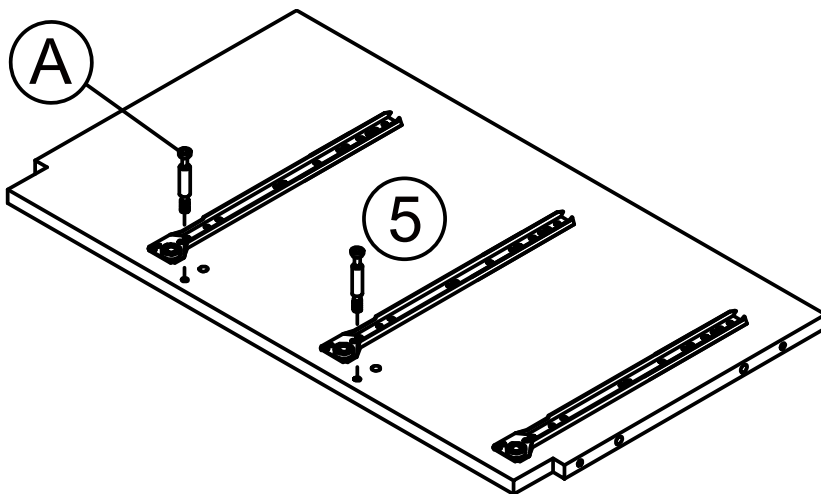
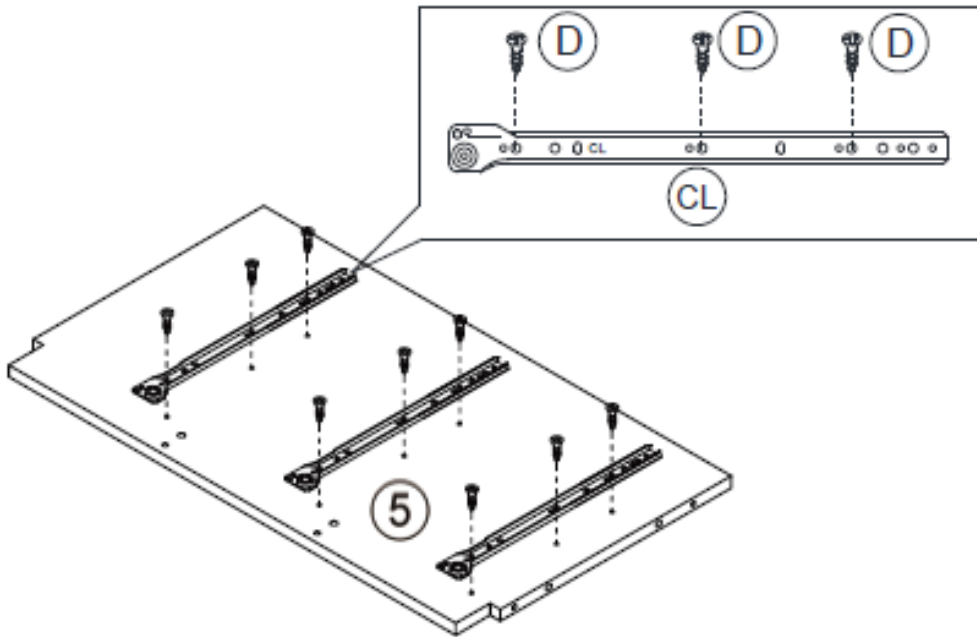
PARTS LIST

1	Dresser top x 1pcs	2	Dresser bottom panel x 1pcs
3	Left side panel x 1pcs	4	Right side panel x 1pcs
5	Middle divider x 1pcs	6	Top/Bottom rail x 2pcs
7	Drawer rail x 4pcs	8	Back upper panel x 1pcs
9	Back centre rail x 1pcs	10	Back bottom panel x 1pcs
11	Base front/back rail x 2pcs	12	Base side rail x 2pcs
13	Drawer front panel x 6pcs	14	Drawer left panel x 6pcs
15	Drawer right panel x 6pcs	16	Drawer back panel x 6pcs
17	Drawer bottom panel x 6pcs	18	Drawer support rail x 6pcs



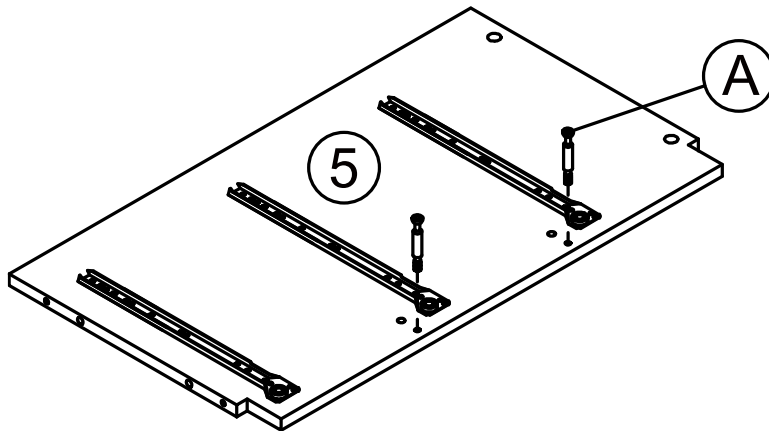
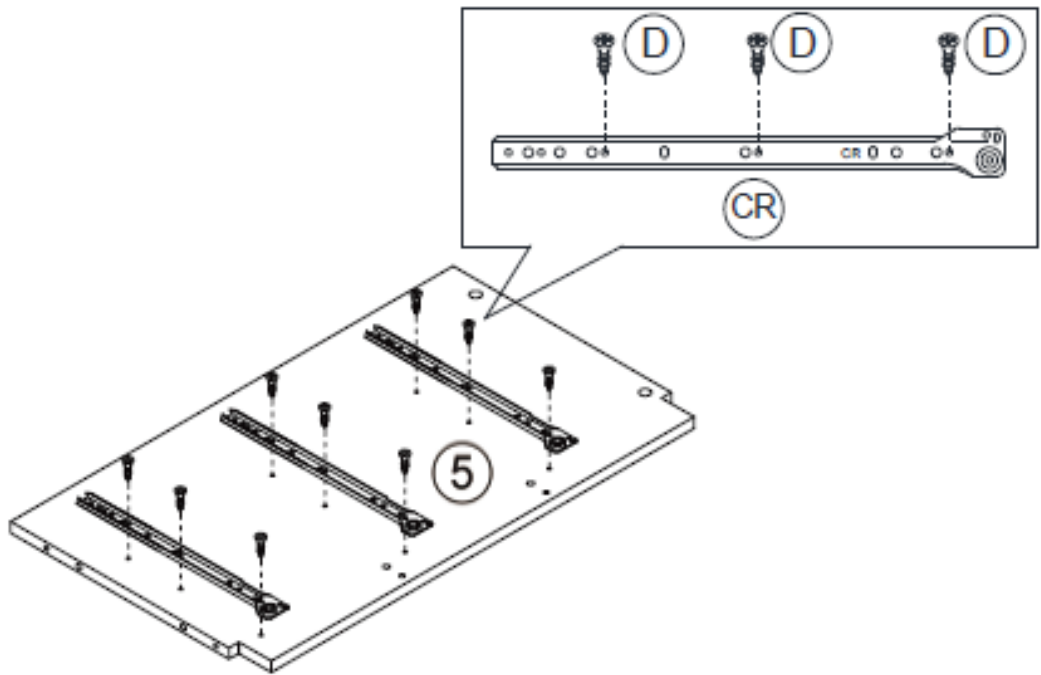
STEP 1:

- Prepare a protected surface with a blanket or cardboard.
- Secure 3pcs x left drawer runner(CL) on middle divider(5) right side with 9pcs x Screw(D).
- Secure 2pcs x Mini fix(A) on middle divider(5) right side.



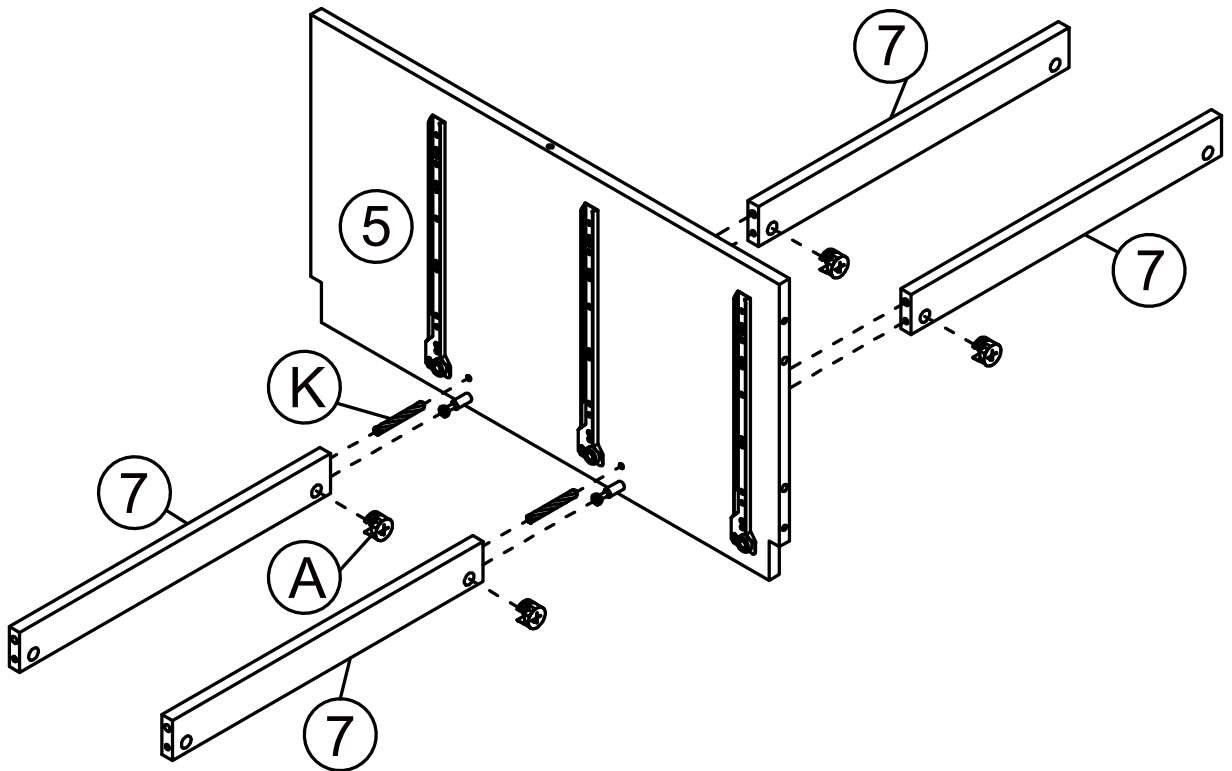
STEP 2:

- Secure 3pcs x right drawer runner(CR) on middle divider(5) left side with 9pcs x Screw(D).
- Secure 2pcs x Mini fix(A) on middle divider(5) left side.



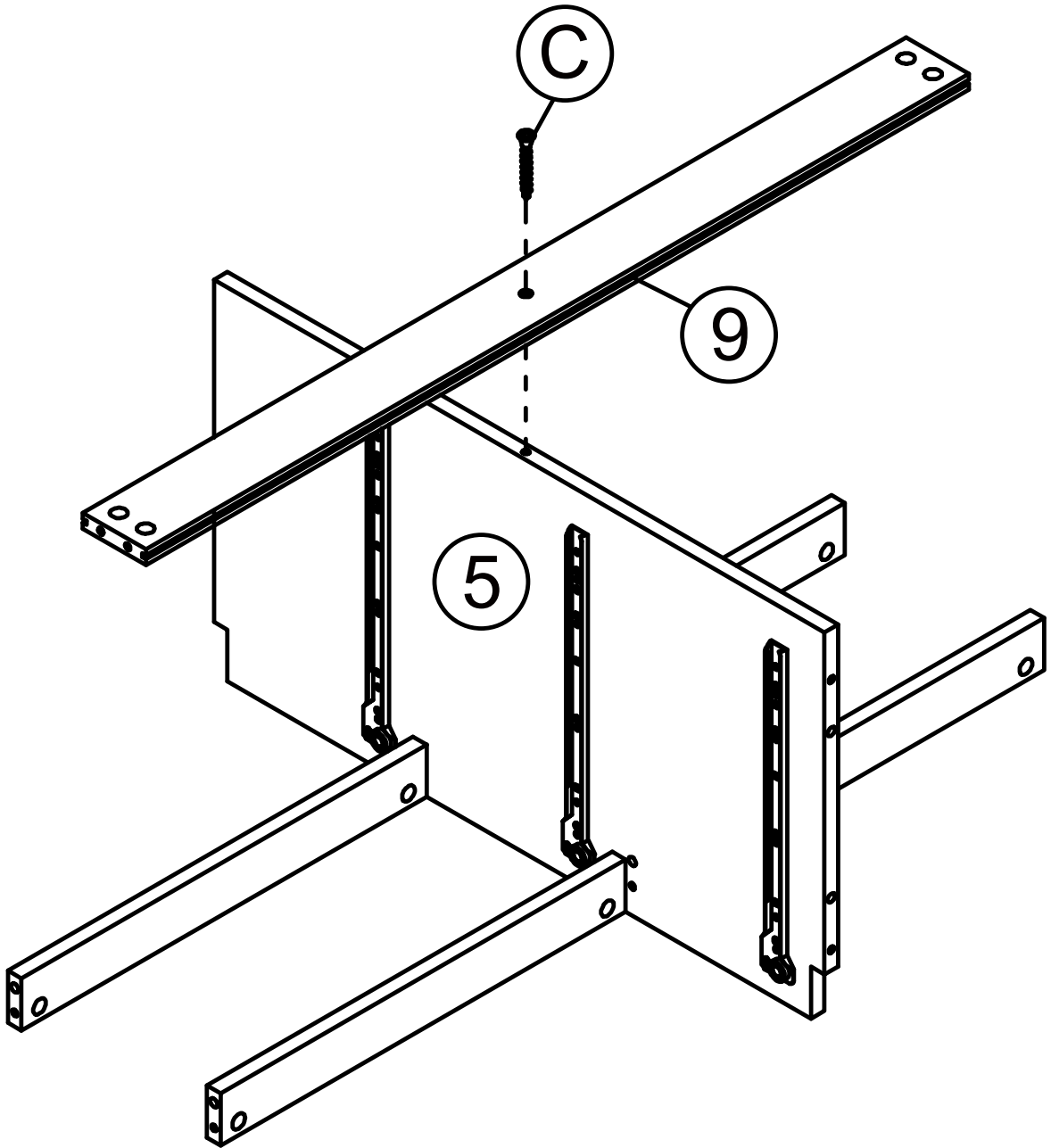
STEP 3:

- Assemble 4pcs x drawer rails(7) with middle divider(5) by 2pcs x wooden dowel(K).
- Lock the rails by 4pcs x min fix cam(A)



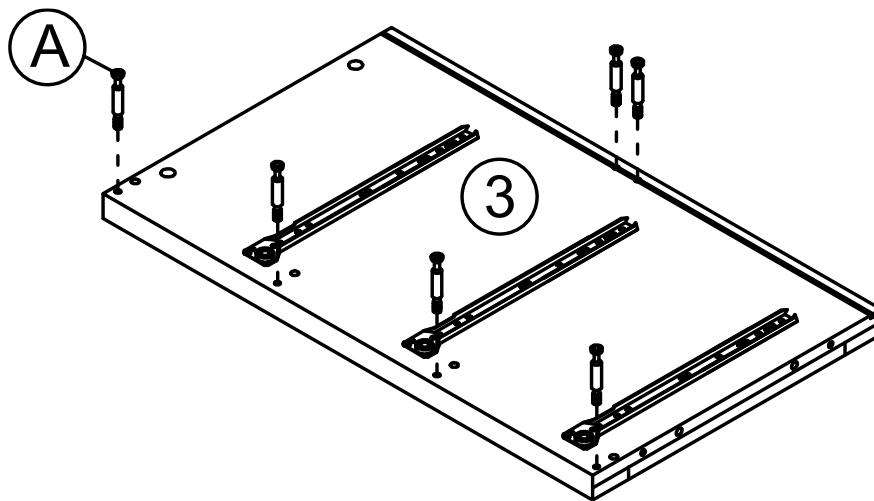
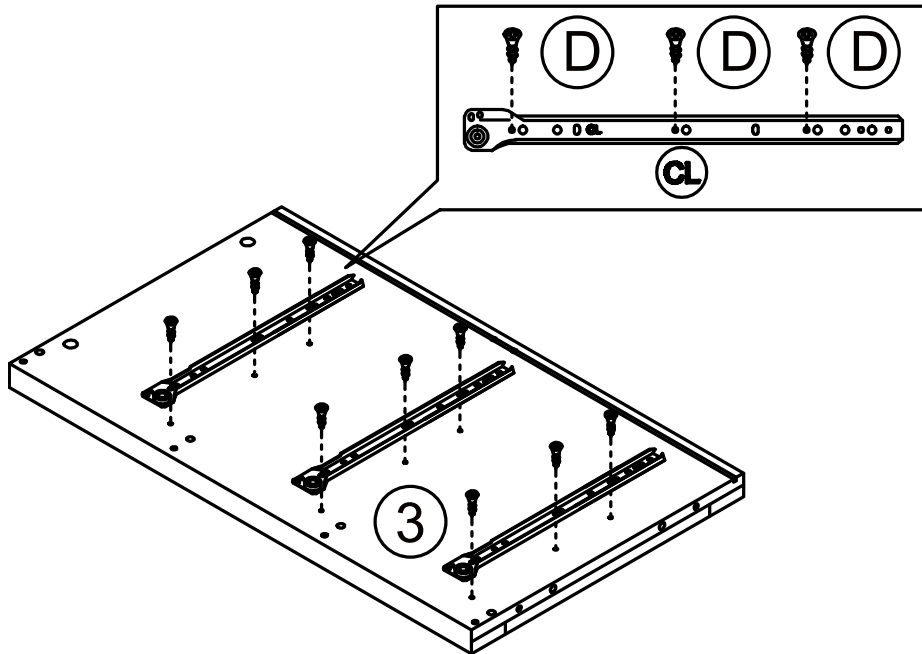
STEP 4:

- Secure back centre rail(9) on middle divider(5) with 1pc x screw(C).



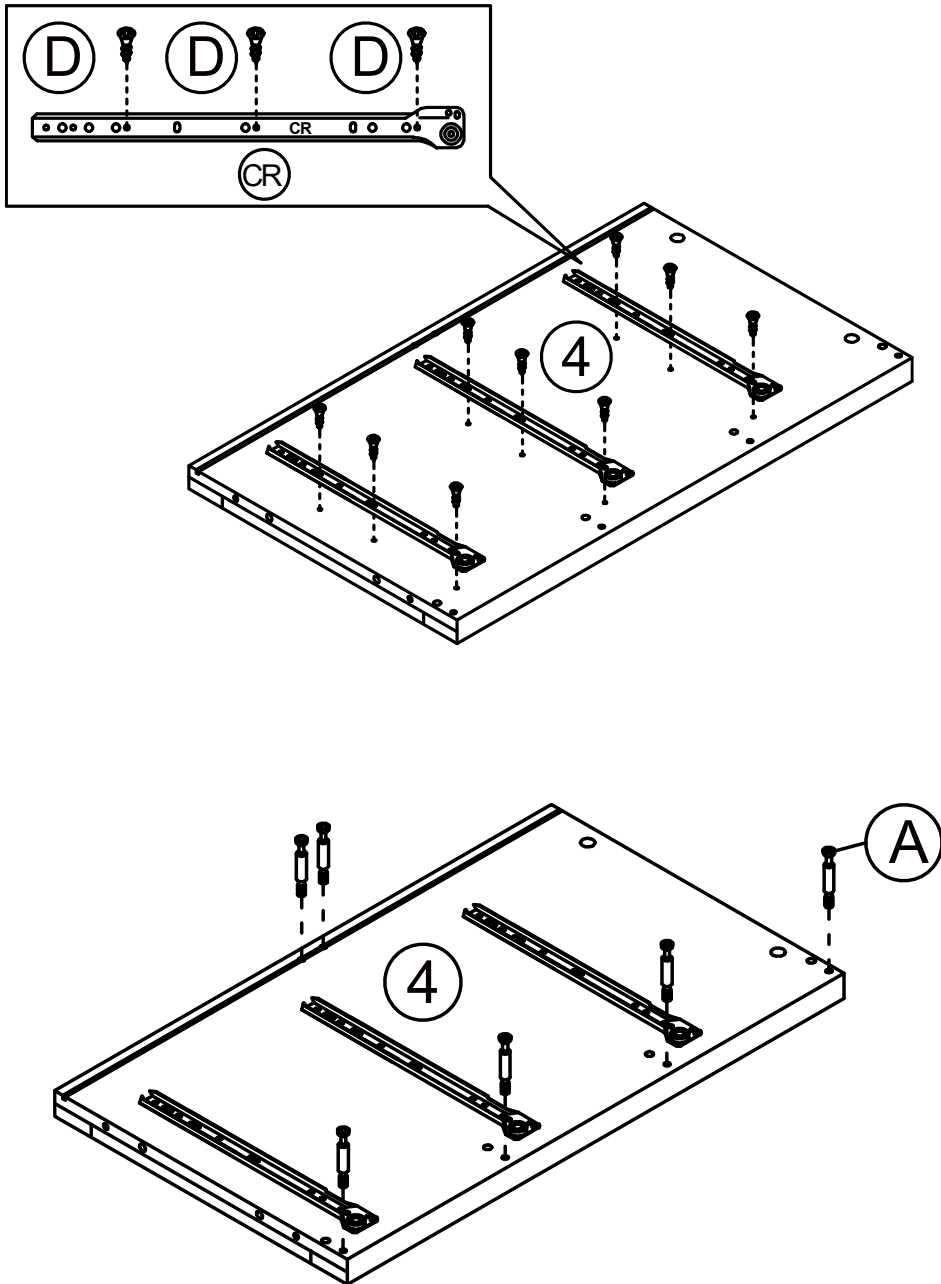
STEP 5:

- Secure 3pcs x left drawer runner(CL) on left side panel(3) with 9pcs x Screw(D).
- Secure 6pcs x Mini fix(A) on left side panel(3)



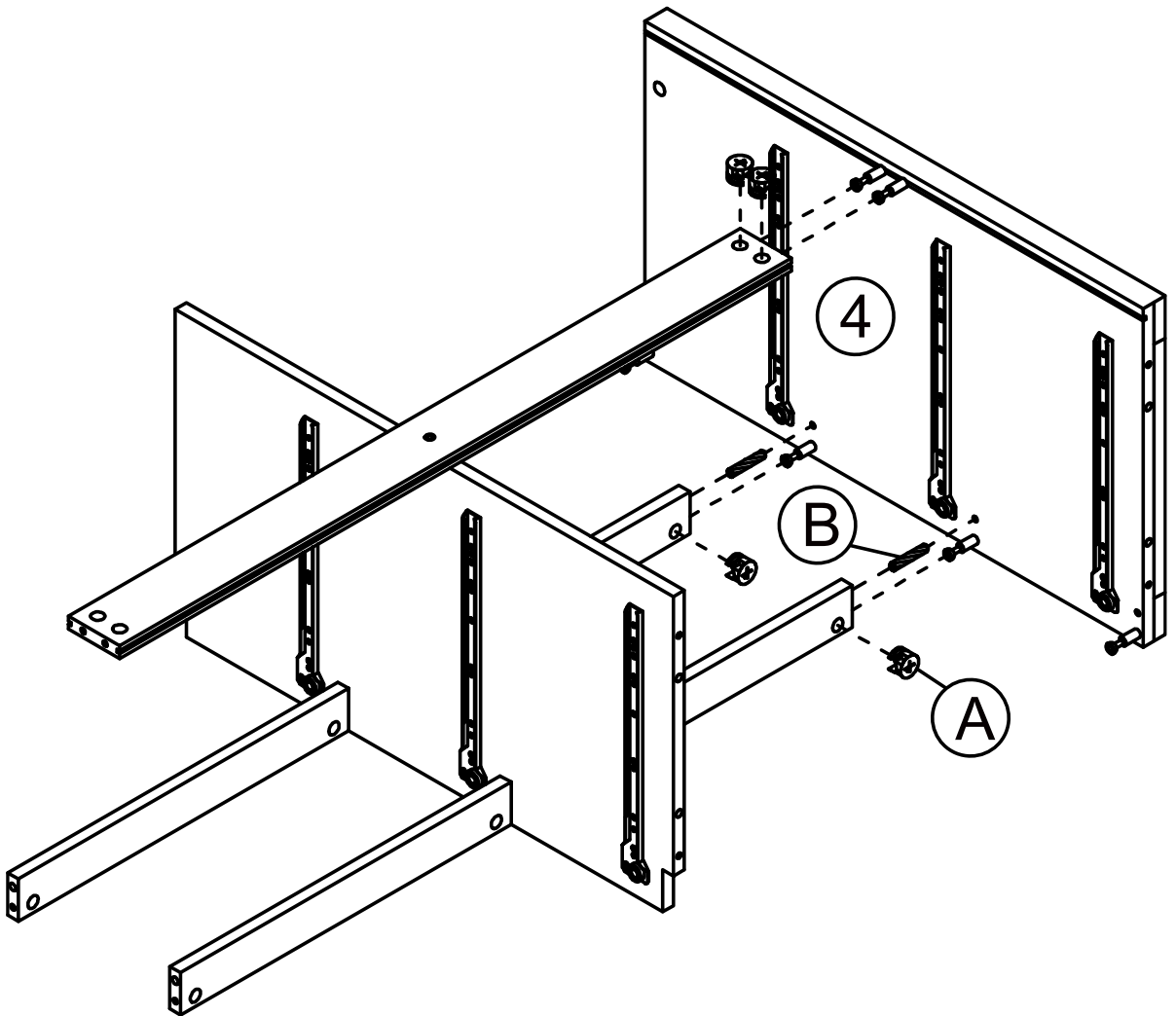
STEP 6:

- Secure 3pcs x right drawer runner(CR) on right side panel(4) with 9pcs x Screw(D).
- Secure 6pcs x Mini fix(A) on right side panel(4)



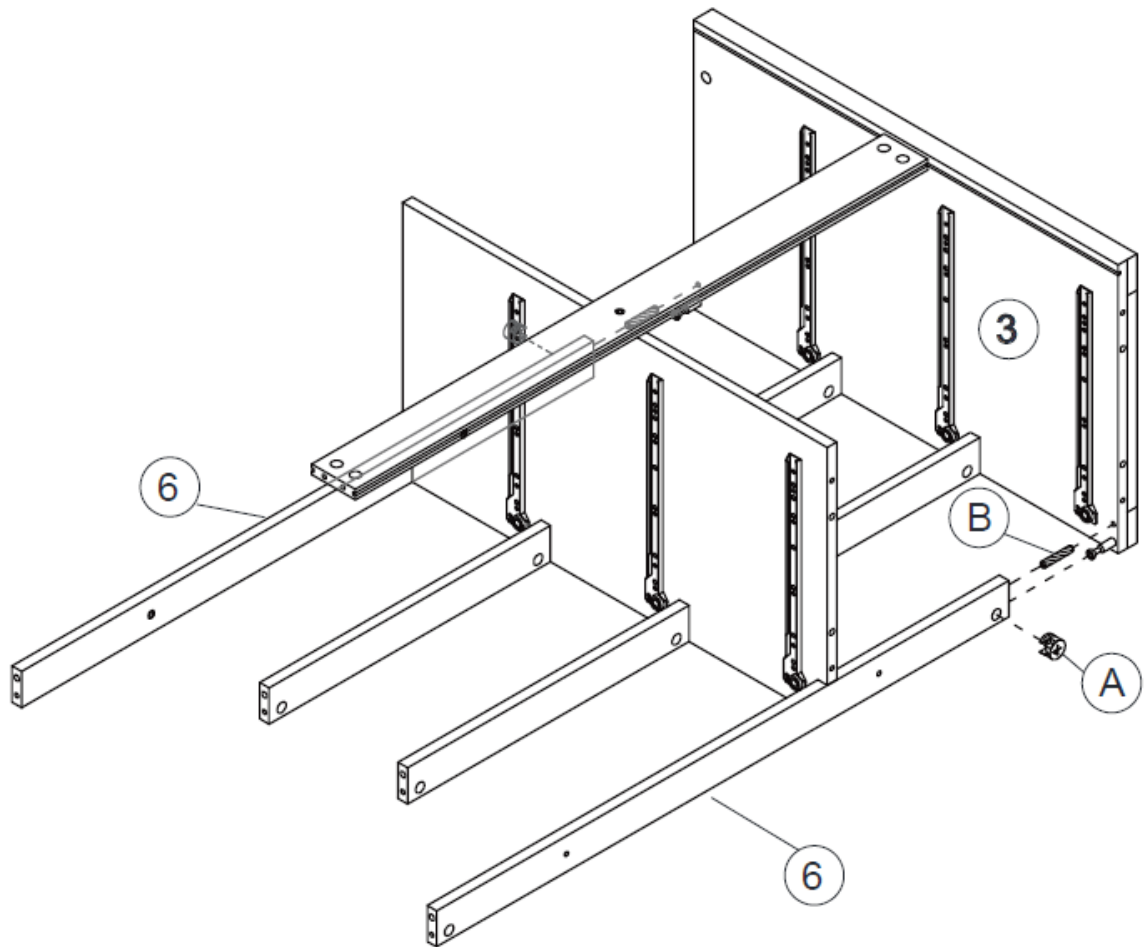
STEP 7:

- Assemble right side panel with wooden frame with 2pcs x wooden dowel(B);
- Lock 4pcs x mini fix cam(A) of the rails.



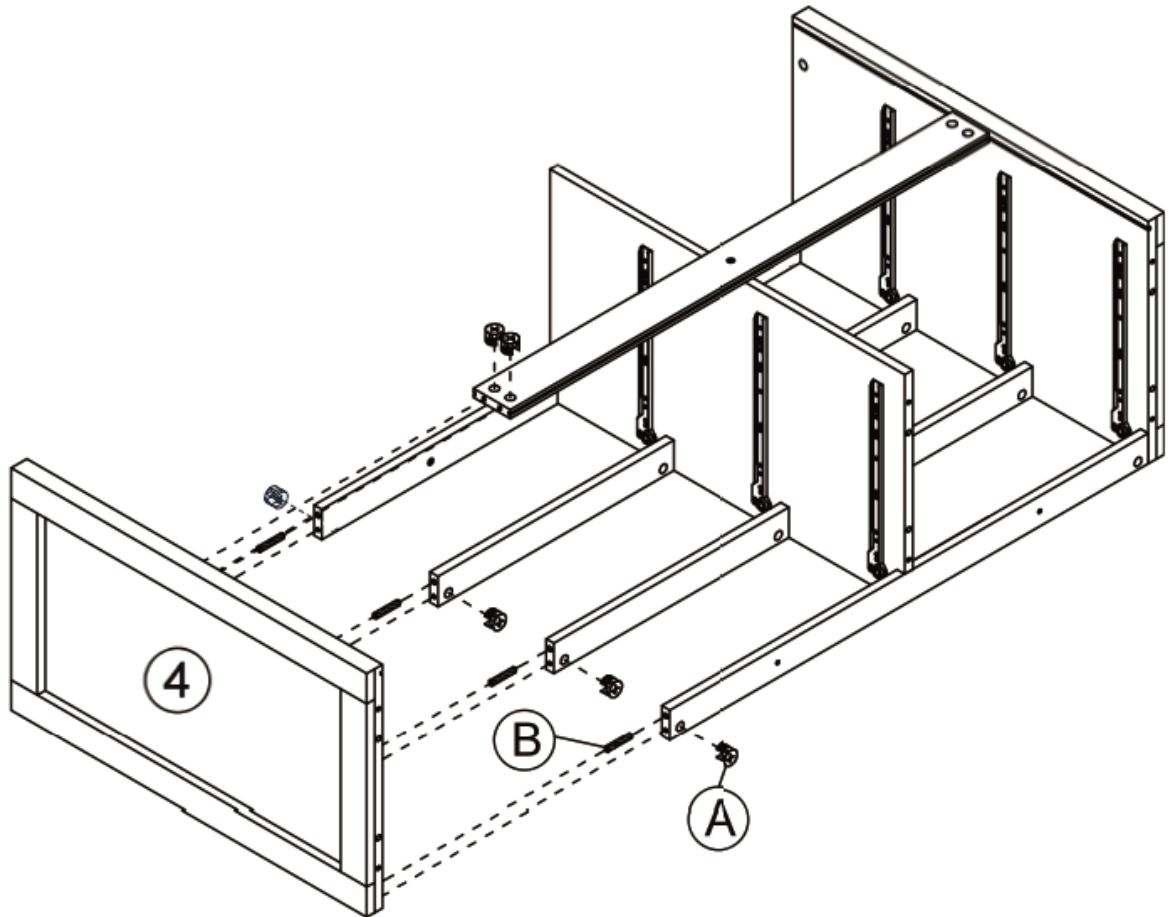
STEP 8:

- Assemble top/bottom rail(6) with right left panel(3) with 2pcs x wooden dowel(B);
- Then lock 2pcs x mini fix cam(A).



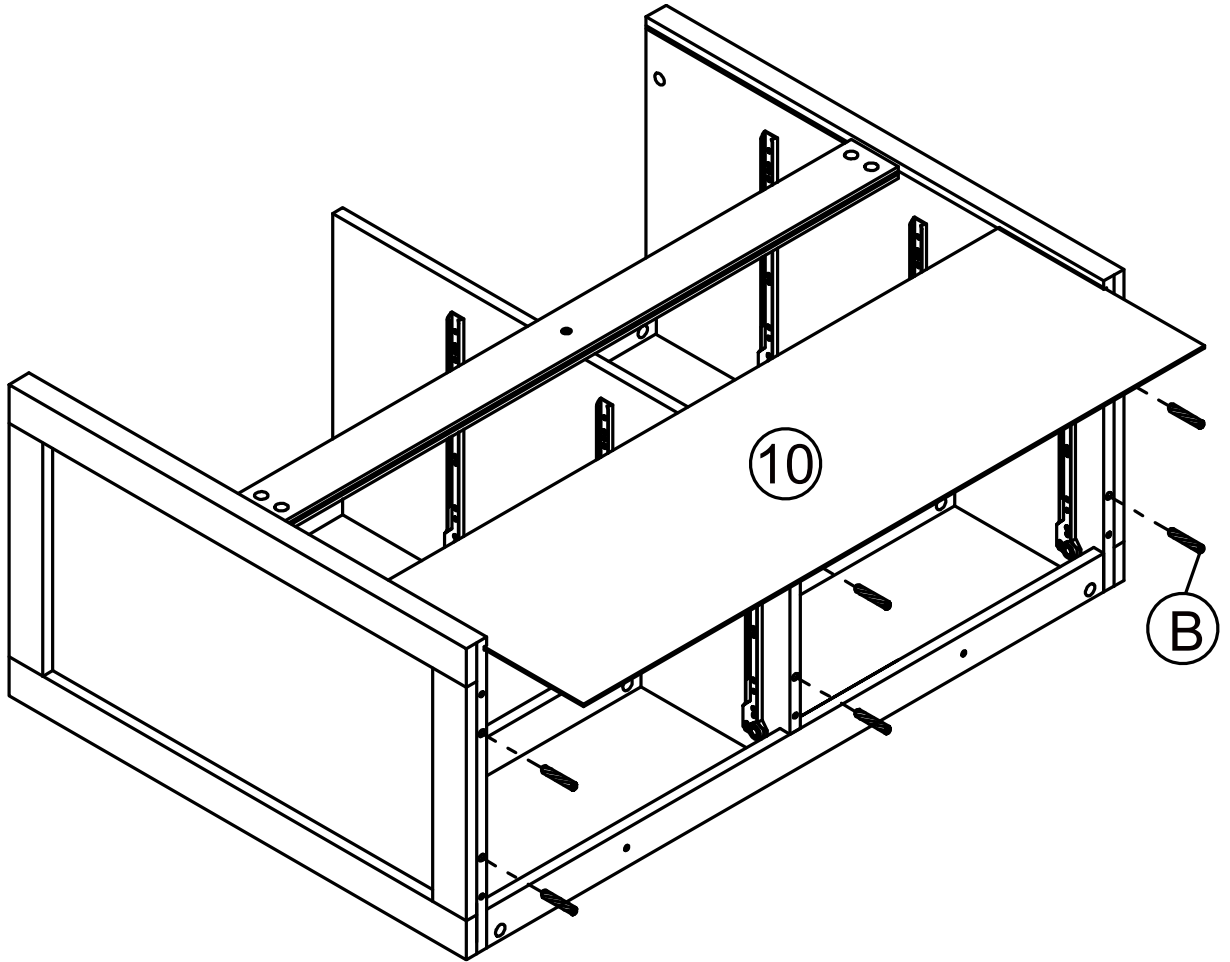
STEP 9:

- Assemble the right side panel(4) with the frame by 4pcs x wooden dowel(B);
- Then , lock with the rails by 6pcs x mini fix cam(A).



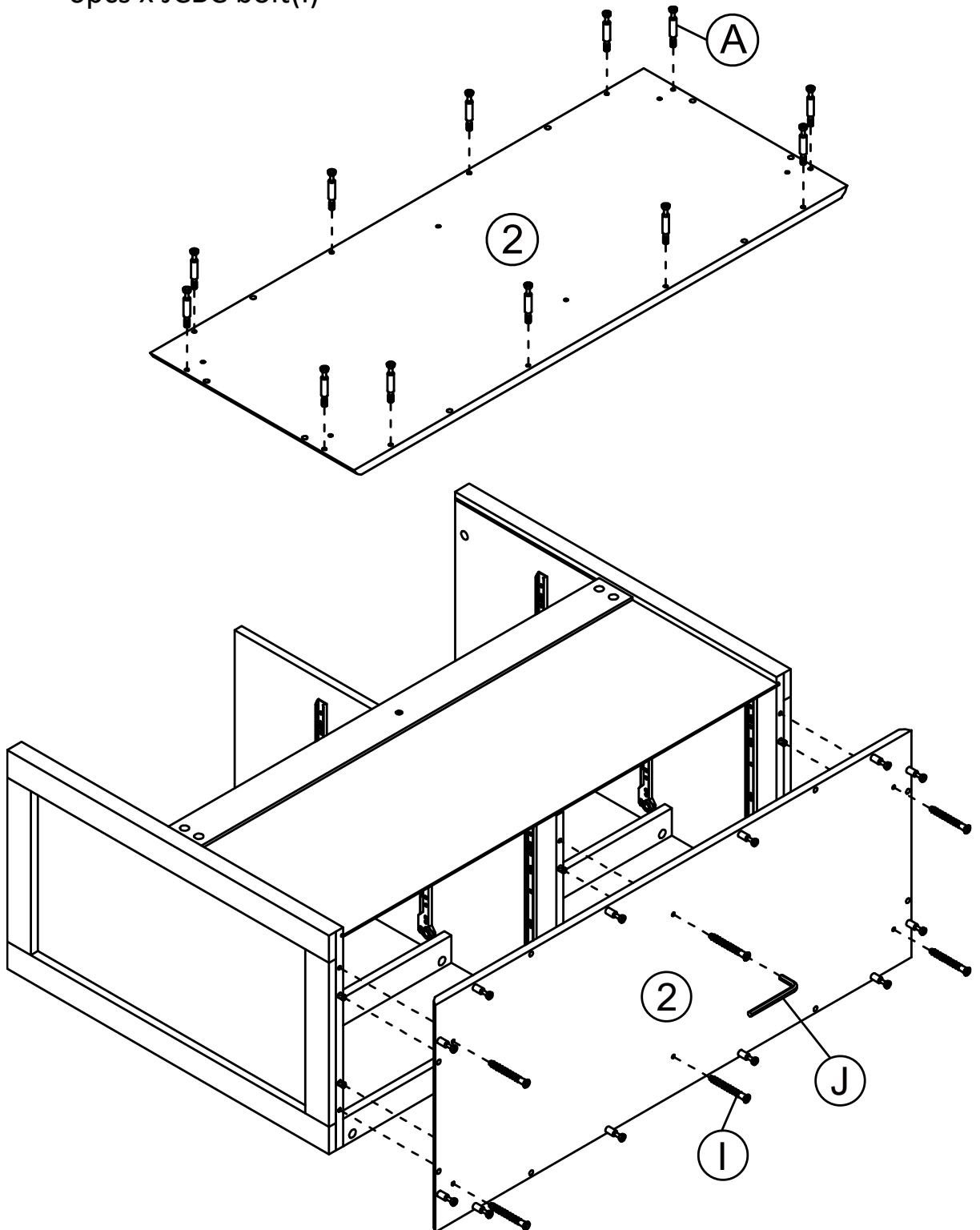
STEP 10:

- Joint the back bottom panel(10);
- Attach 6pcs x wooden dowel(B).



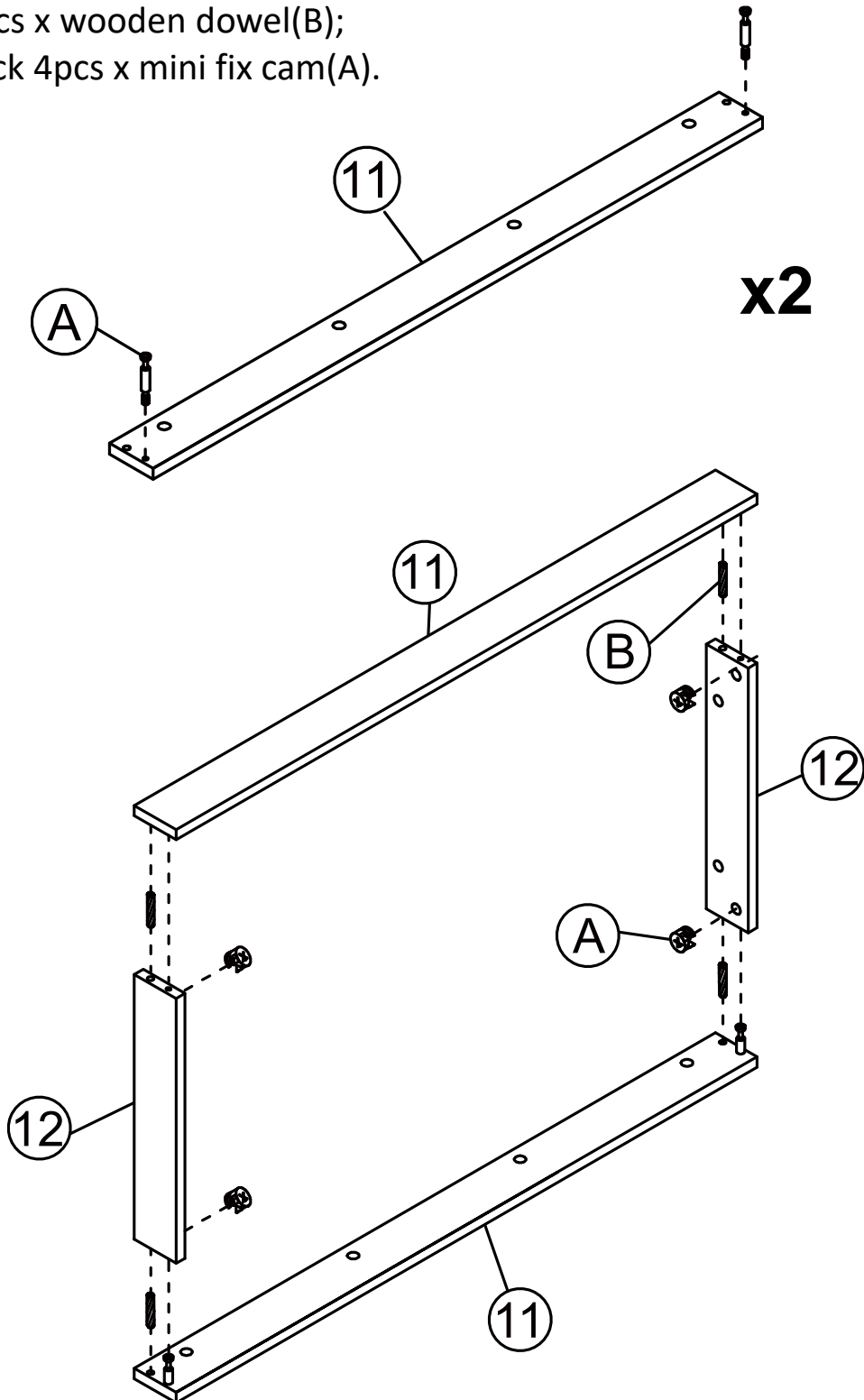
STEP 11:

- Secure 12pcs x mini fix(A) on bottom panel(2);
- Use allen key(I) to assemble bottom panel(2) with frame by 6pcs x JCBC bolt(I)



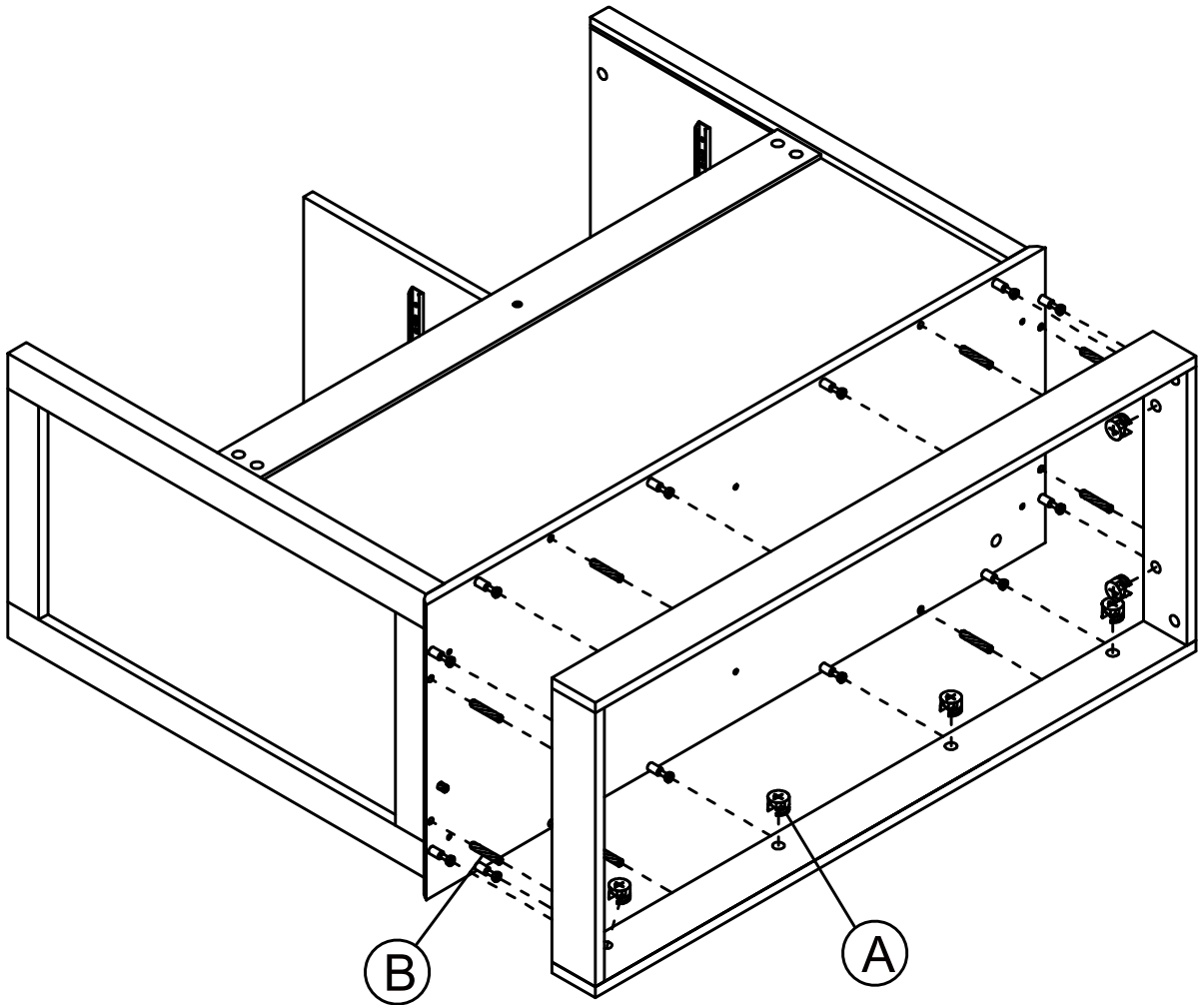
STEP 12:

- Secure 4pcs x mini fix(A) on base front/back rail(11);
- Assemble base front/back rail(11) with base side rail(12) with 4pcs x wooden dowel(B);
- Lock 4pcs x mini fix cam(A).



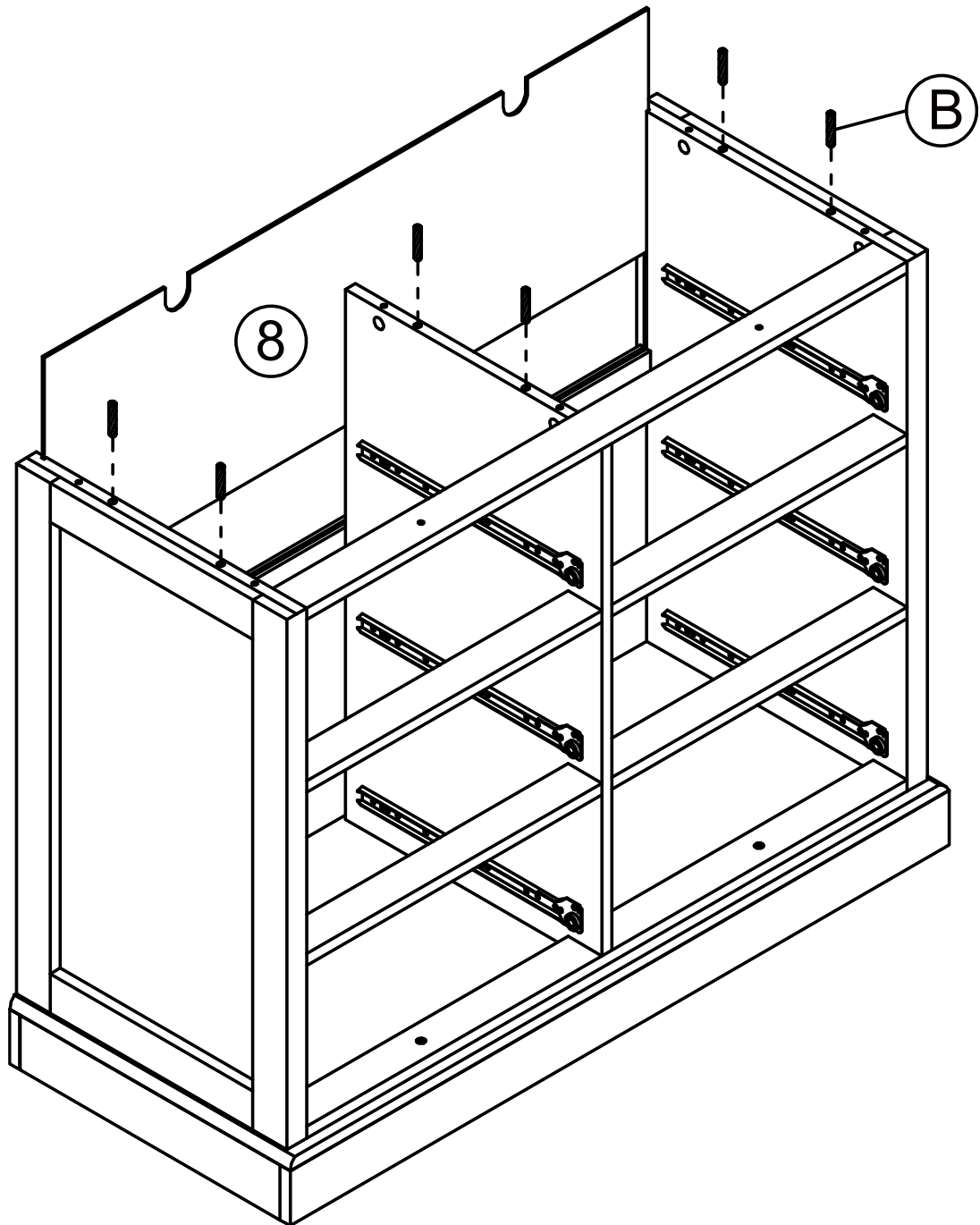
STEP 13:

- Assemble the base with dresser frame with 8pcs x wooden dowel(B);
- Lock 12pcs x mini fix cam(A)



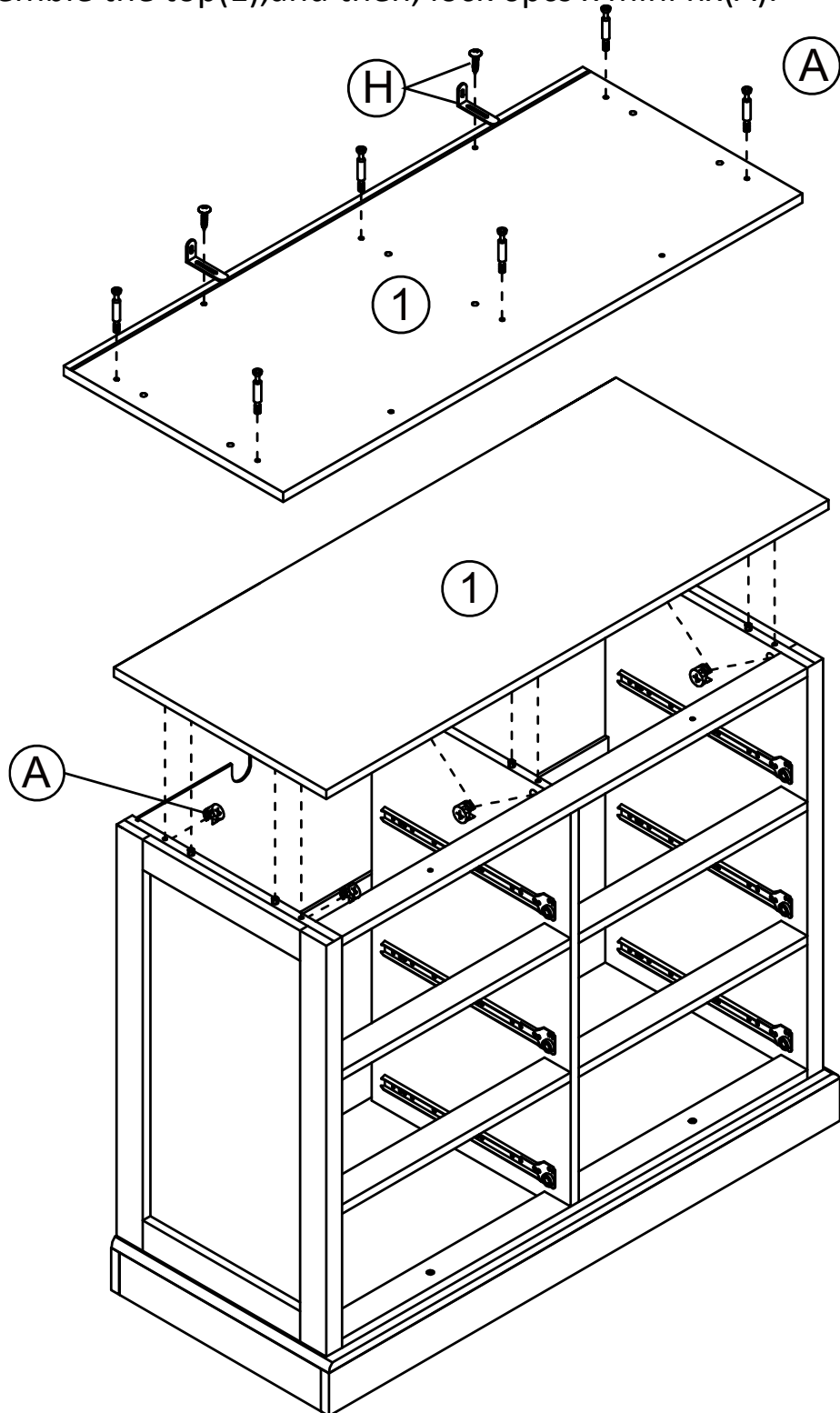
STEP 14:

- Joint the back upper panel(8);
- Attach 6pcs x wooden dowel(B).



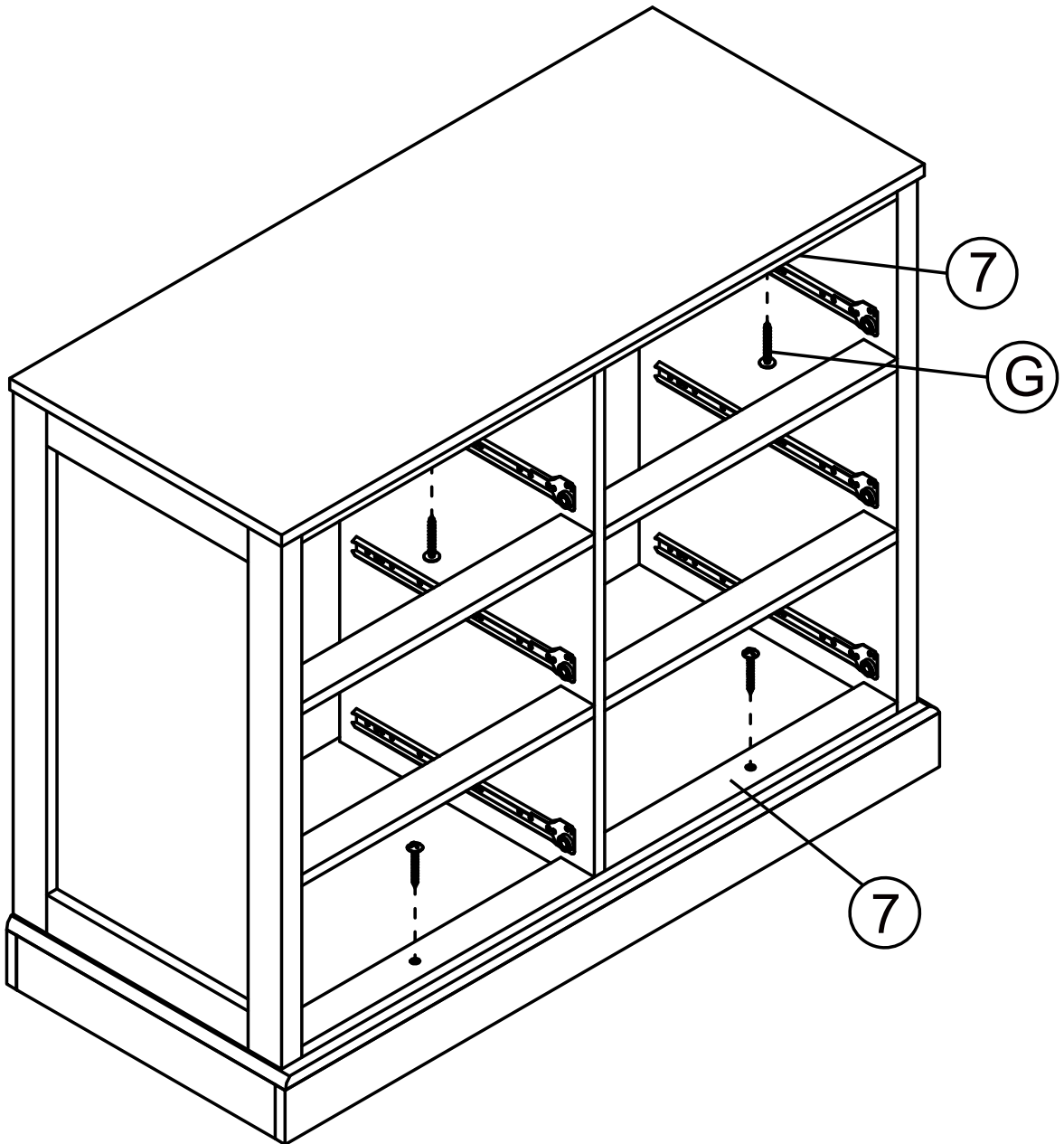
STEP 15:

- Secure 6pcs x mini fix(A) on top(1), then , attach 2pcs x anti-tips(H) on top(1);
- Assemble the top(1), and then, lock 6pcs x mini fix(A).



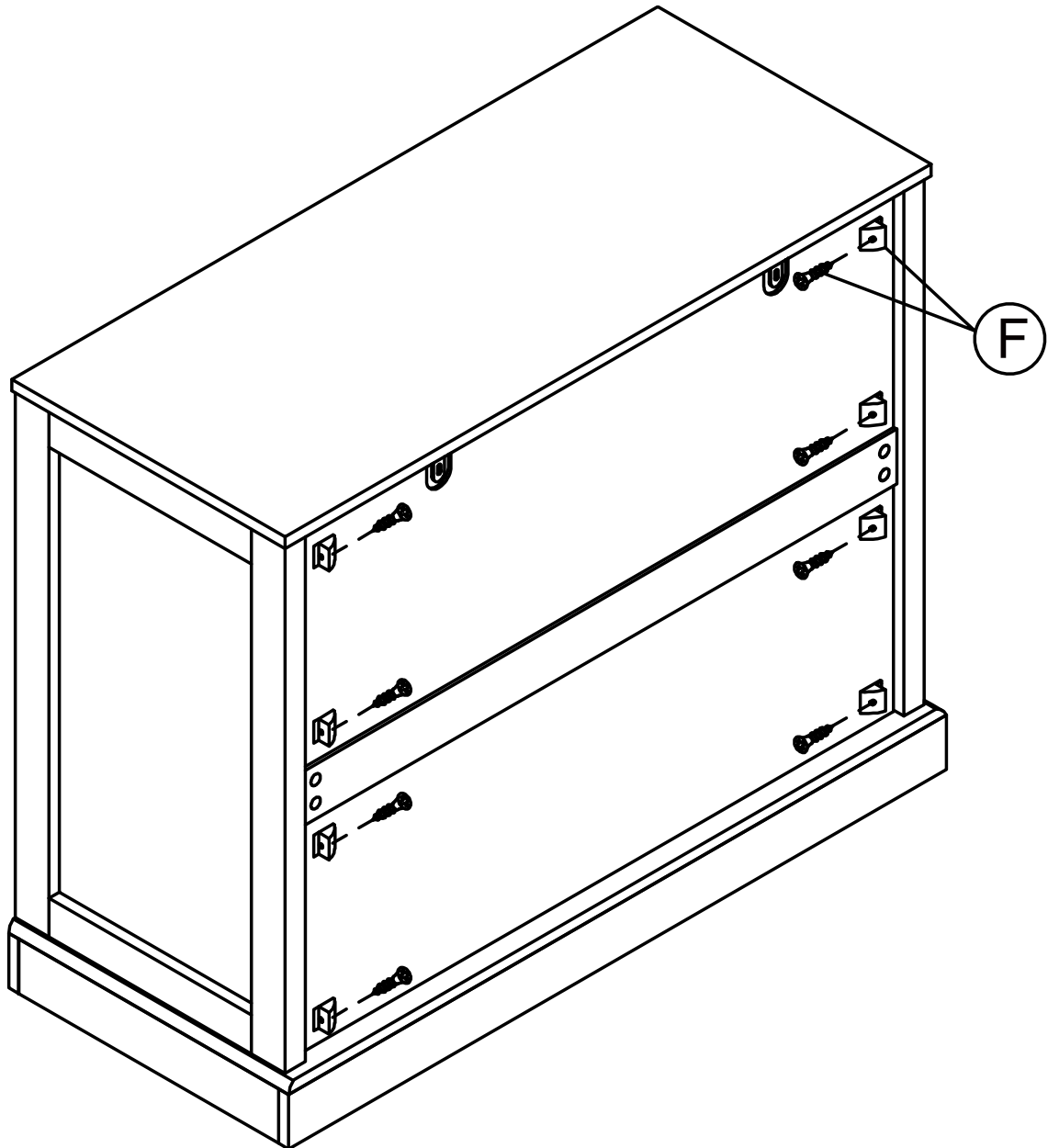
STEP 16:

- Secure 4pcs x screw(G) on top/bottom rail(7).



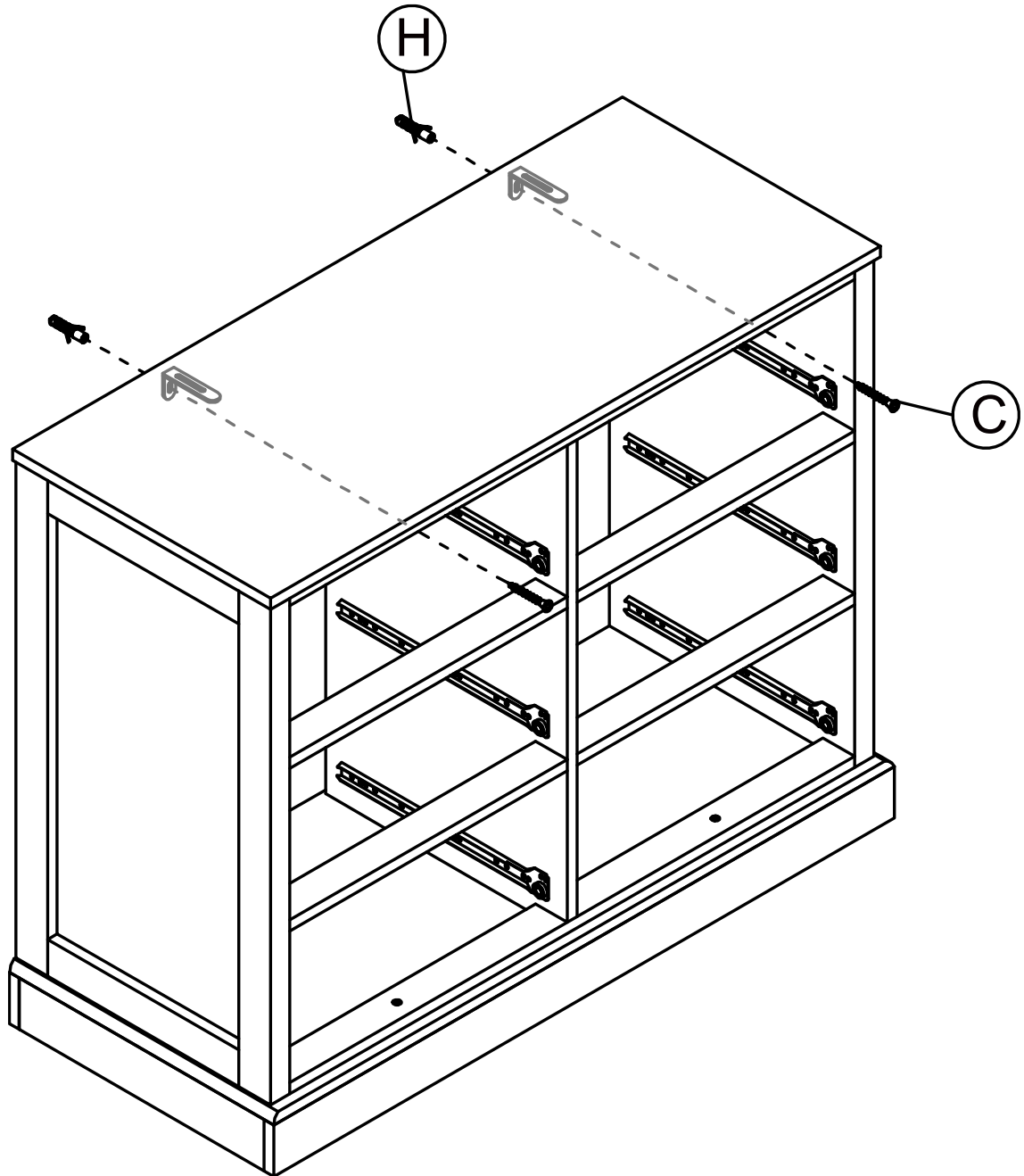
STEP 17:

- Secure 8pcs x back brackets(F) on back.



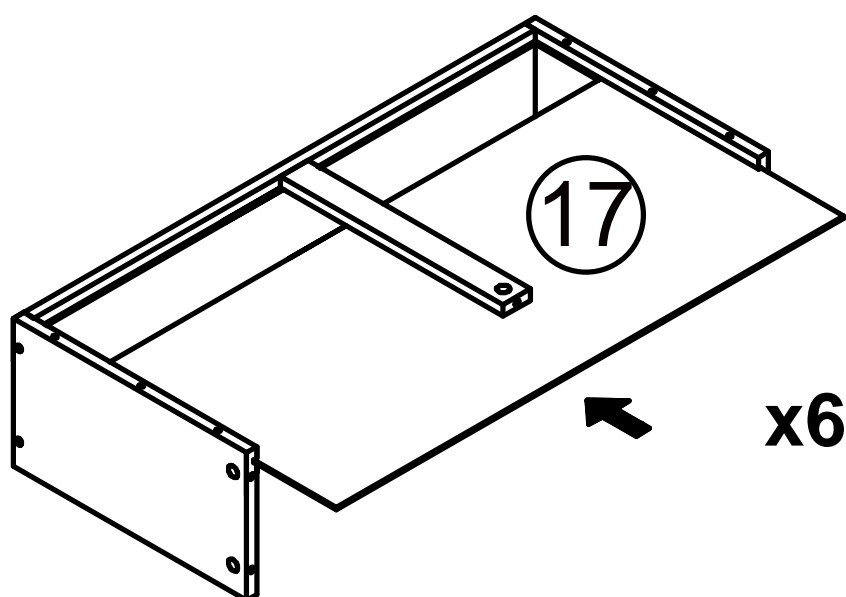
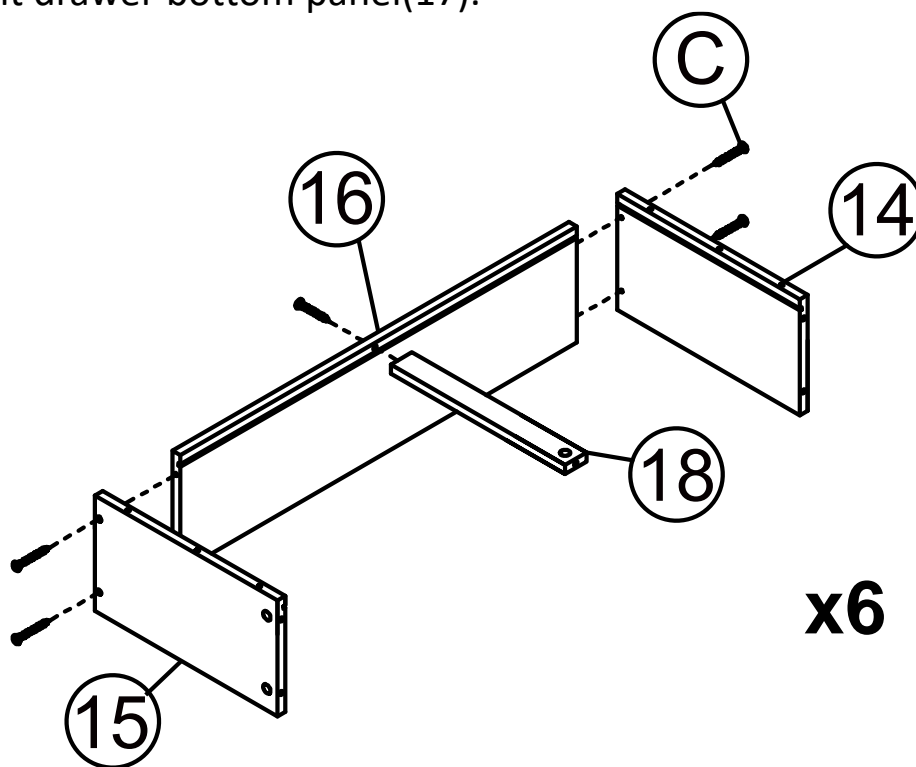
STEP 18:

- Secure the item to wall by 2pcs x anti-tips(H) and 2pcs x screw(C).



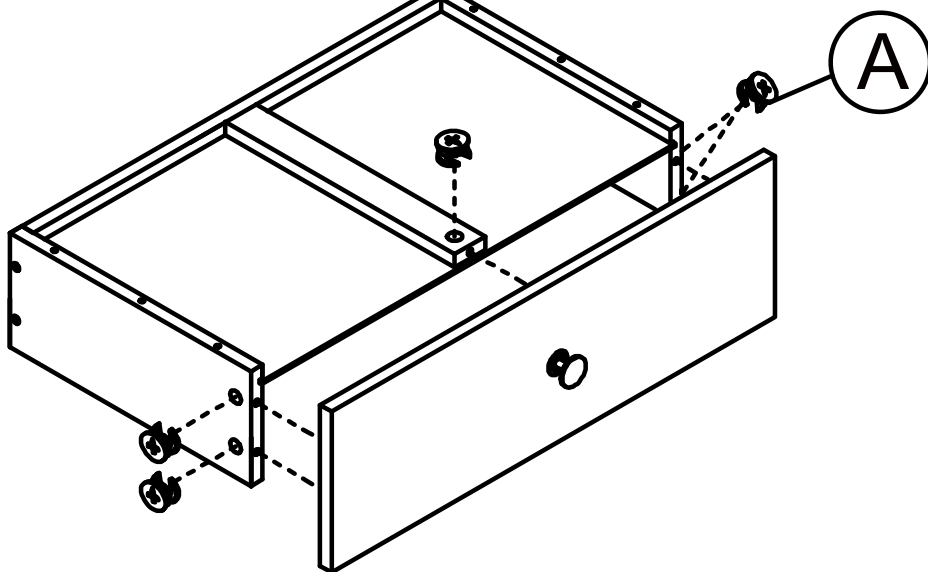
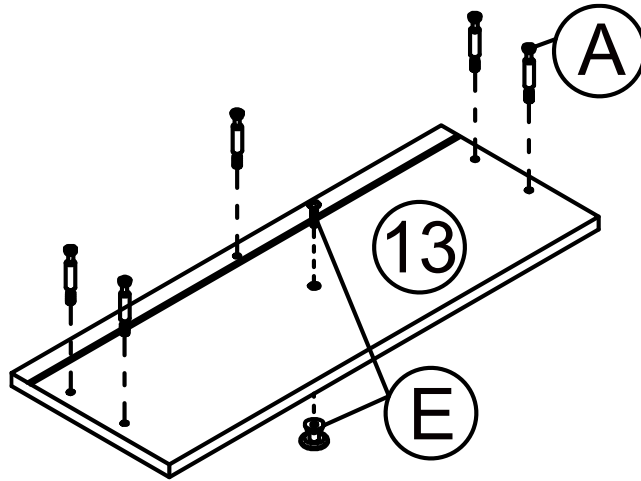
STEP 19:

- Assemble the drawer right panel(15),drawer left panel(14),drawer back panel(16) and drawer support rail(18) by 5pcs x screw(C);
- Joint drawer bottom panel(17).



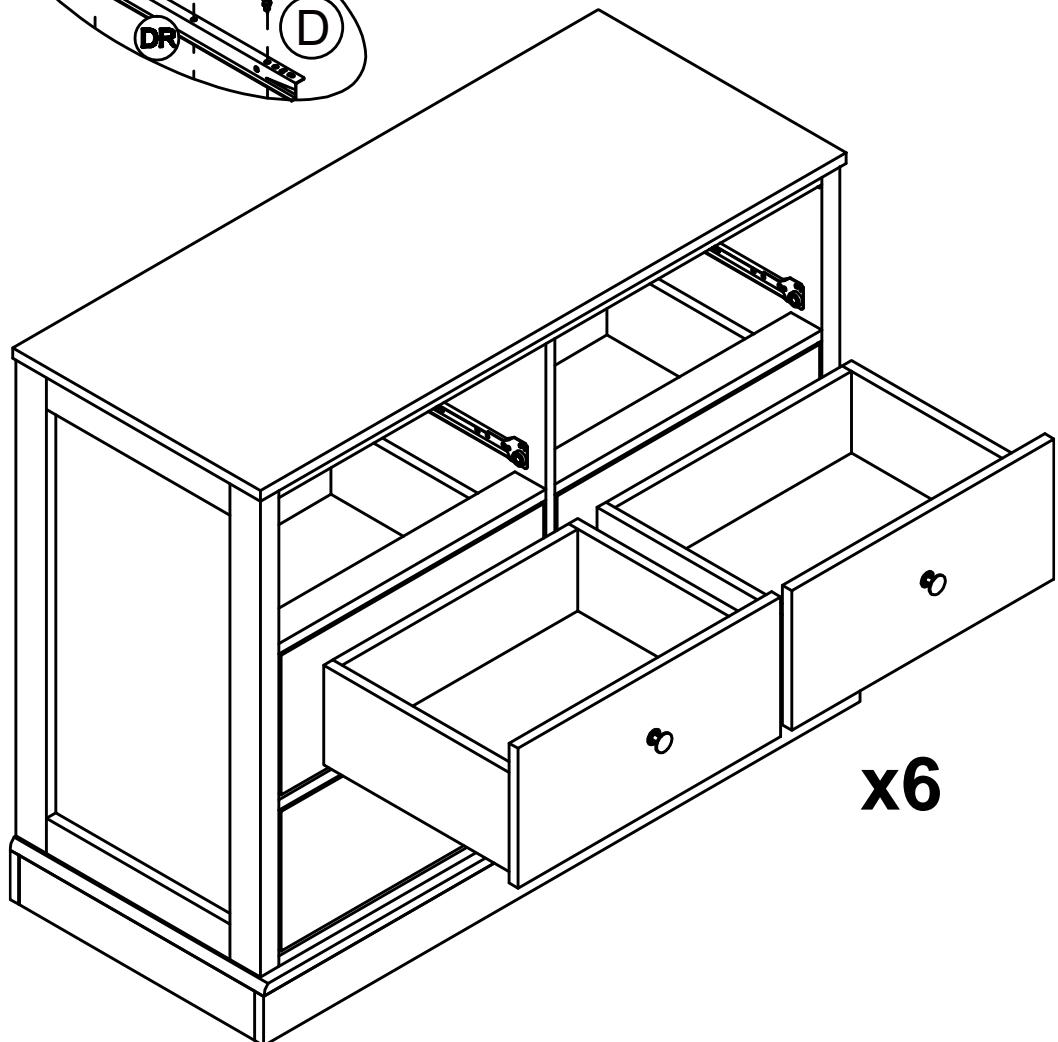
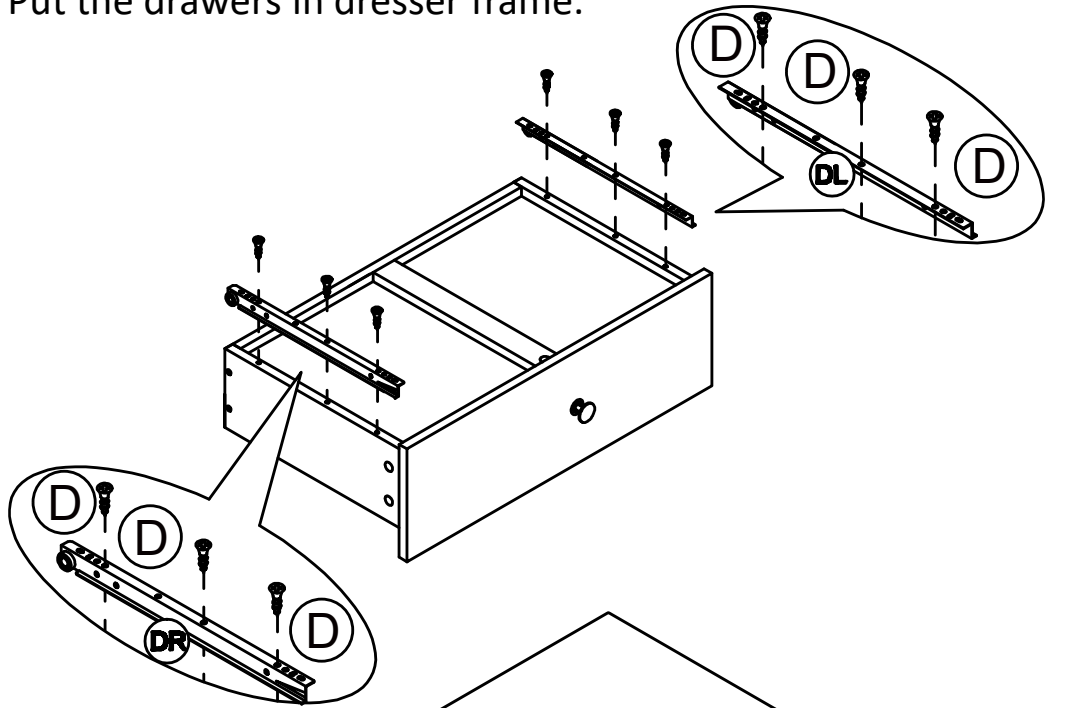
STEP 20:

- Secure 5pcs x mini fix(A) on drawer front panel(13);
- Assemble 1pcs x handle(E) on drawer front panel(13);
- Assemble drawer front panel with drawer frame , lock 5pcs x mini fix cam(A)

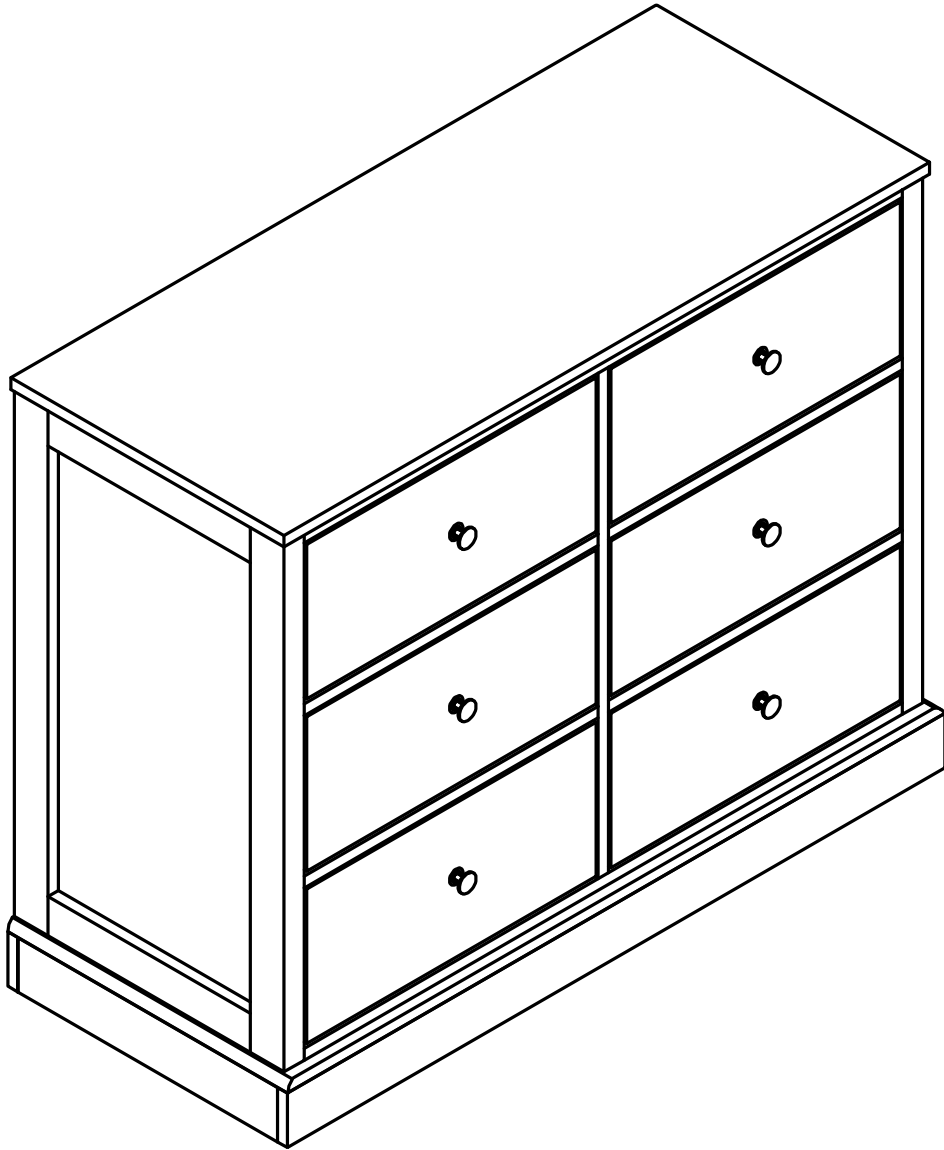


STEP 21:

- Assemble metal runner(DL)&(DR) by 6pcs x screw(D);
- Put the drawers in dresser frame.



Assembly Is Complete



PRODUCT CARE:

To protect your furniture, we suggest the following:

- Avoid placing your furniture in direct sunlight.
- Do not place furniture directly under windows.
- Do not place sharp materials (knife, fork, etc.) directly onto your furniture as sharp material may scrape and damage the finish.
- Do not place material with high temperature directly onto the surface of your furniture.
- Clean up spills quickly. Water left over a prolonged period of time may cause damage. Alcohol, perfume, nail polishes, aftershave and some medication may cause severe finish damage if not cleaned immediately.
- Use a clean, soft, dry, lint free absorbent cloth to clean your furniture. Do not use any detergent as they may contain ingredients that may react and damage the finish.