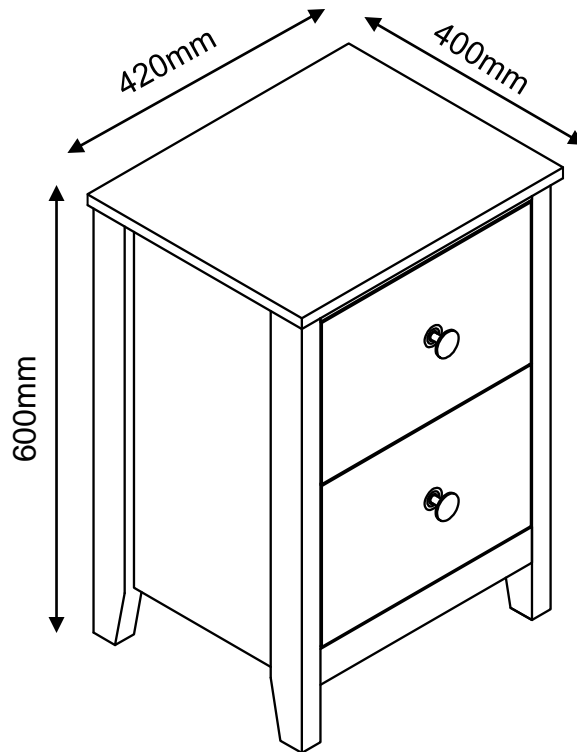


# ASSEMBLY INSTRUCTION

## MARSH BEDSIDE TABLE

Item Code 81689

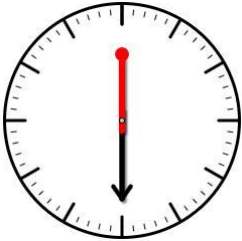
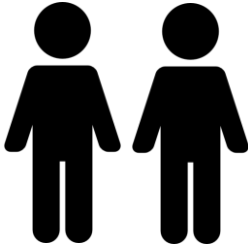



Imported by JWA Furniture Pty Ltd, Qld, Brisbane Australia.  
For any assistance with assembly or for missing parts please refer to your receipt

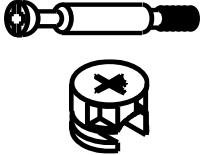



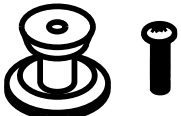
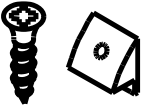
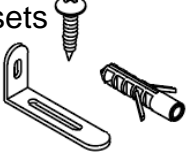
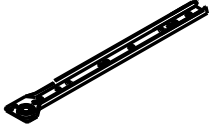
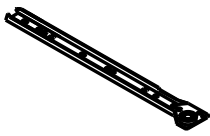
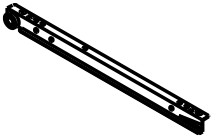
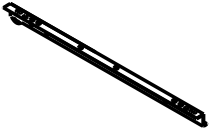
## PRE-ASSEMBLY PREPARATION

### Before you start:

1. Choose a clean, level, spacious assembly area. Avoid hard surfaces that may damage the product
2. Take care when lifting. Product should be assembled as near as possible to the point of use
3. Ensure that you have all required contents for complete assembly
4. Always read the assembly instructions carefully before beginning assembly.
5. Keep all hardware parts and packaging out of reach of small children.
6. Do not over tighten the screws and bolts as this may damage the threads
7. Assembly is to be carried out by a competent adult(s) ONLY
8. During assembly, children should be kept away from the product due to possible risk to injury.
9. Do not use this item if any components are missing or damaged.
10. Please keep the instructions for future reference.

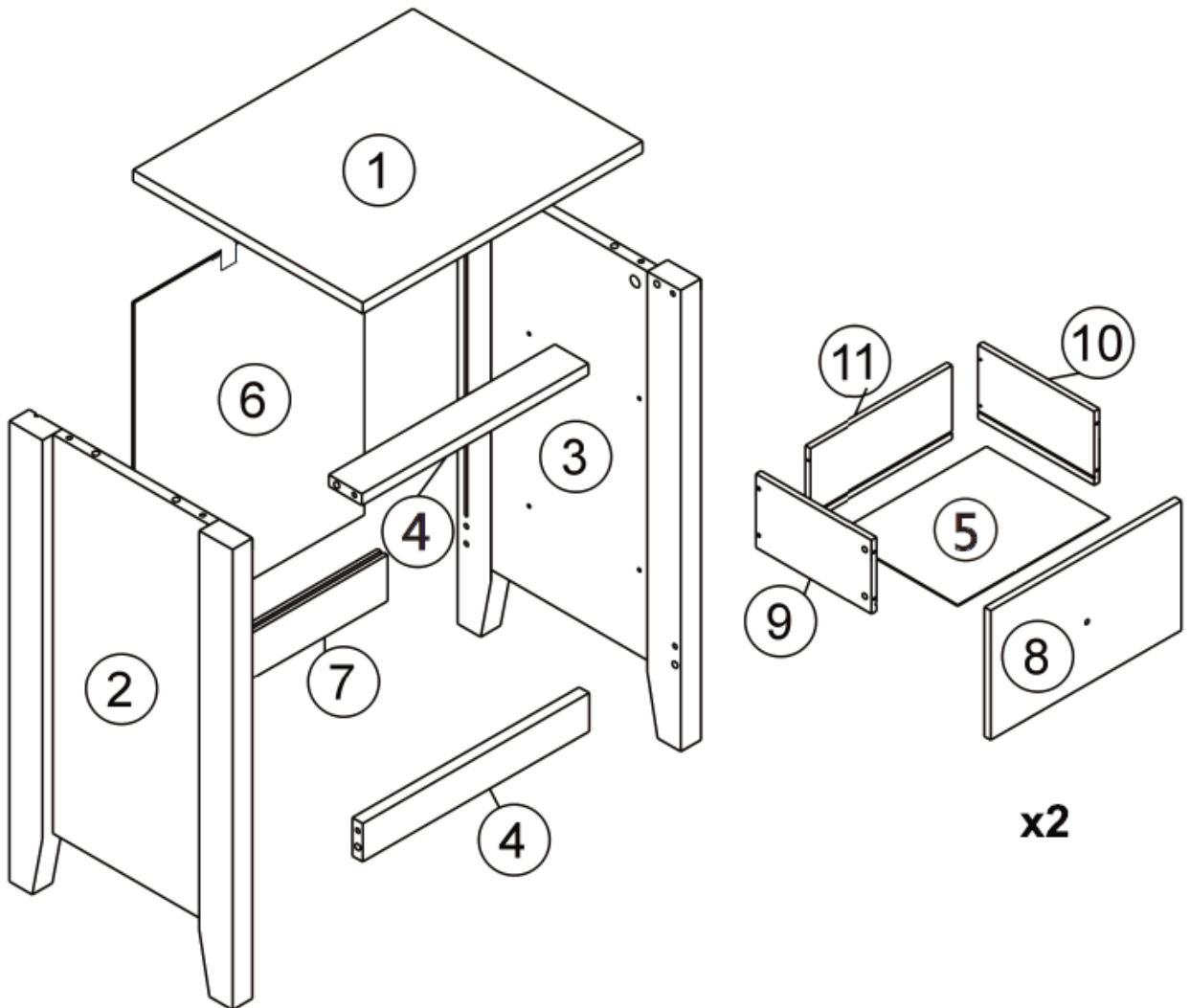
		
Allow 30 min	For 2 person	Additional tools required

# PARTS LIST

<p><b>A</b> Mini fix x 20pcs</p> 	<p><b>B</b> Wooden Dowel Φ6x30mm x 8pcs</p> 	<p><b>C</b> Screw M4x35mm x 9pcs</p> 	<p><b>D</b> Screw M3.5x16mm x 16pcs</p> 
<p><b>E</b> Handle with screw x 2sets</p> 	<p><b>F</b> Back brackets with screw x 6pcs</p> 	<p><b>G</b> Anti-tips x 1sets</p> 	<p>CL x 2pcs</p> 
<p>CR x 2pcs</p> 	<p>DR x 2pcs</p> 	<p>DL x 2pcs</p> 	

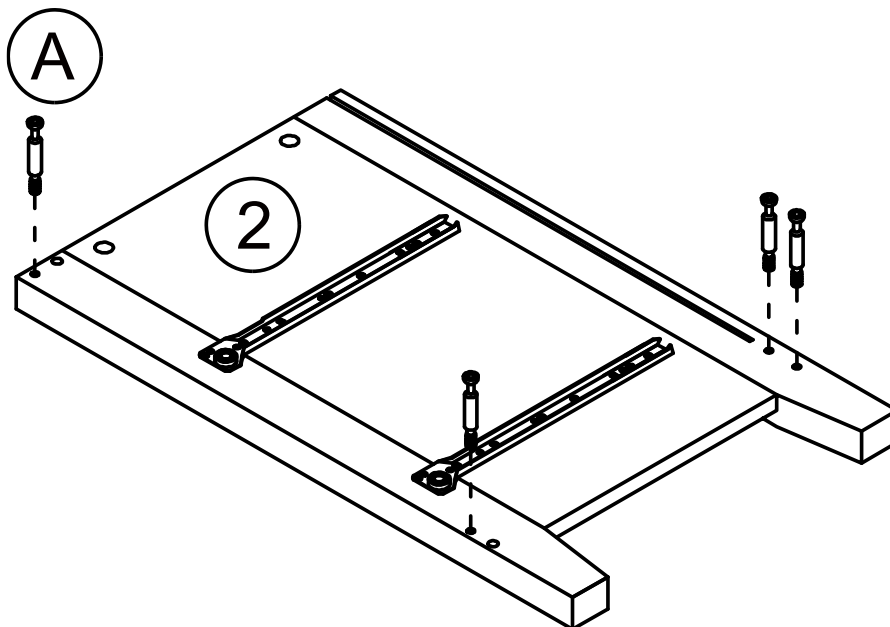
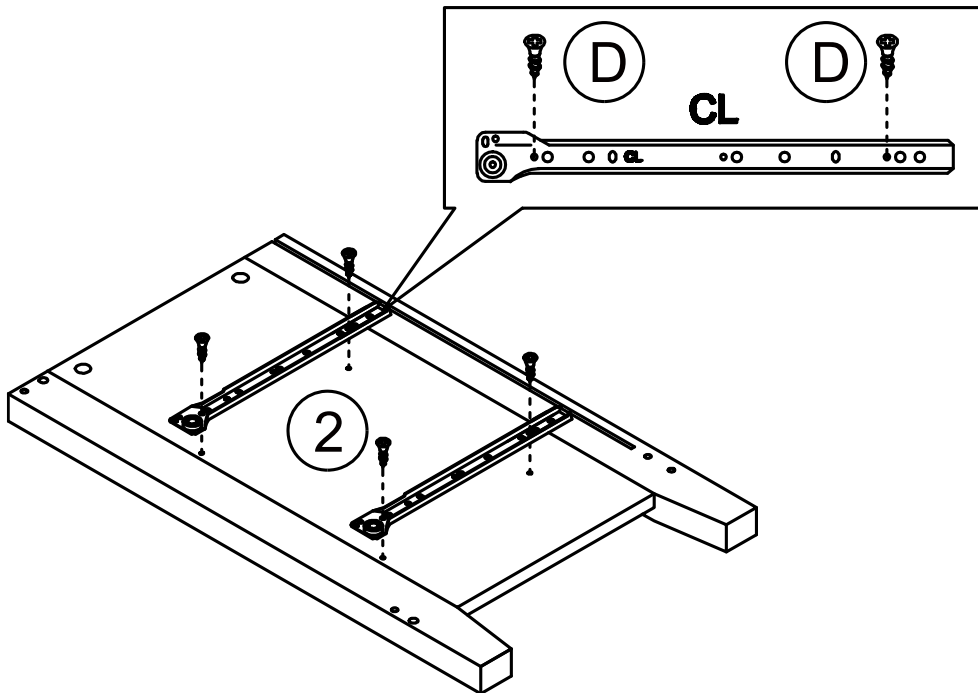
## PARTS LIST

1	Top x 1pcs	2	Left side panel x 1pcs
3	Right side panel x 1pcs	4	Front rail x 2pcs
5	Drawer bottom panel x 2pcs	6	Back panel x 1pcs
7	Back bottom rail x 1pcs	8	Drawer front panel x 2pcs
9	Drawer left side rail x 2pcs	10	Drawer right side rail x 2pcs
11	Drawer back panel x 2pcs		



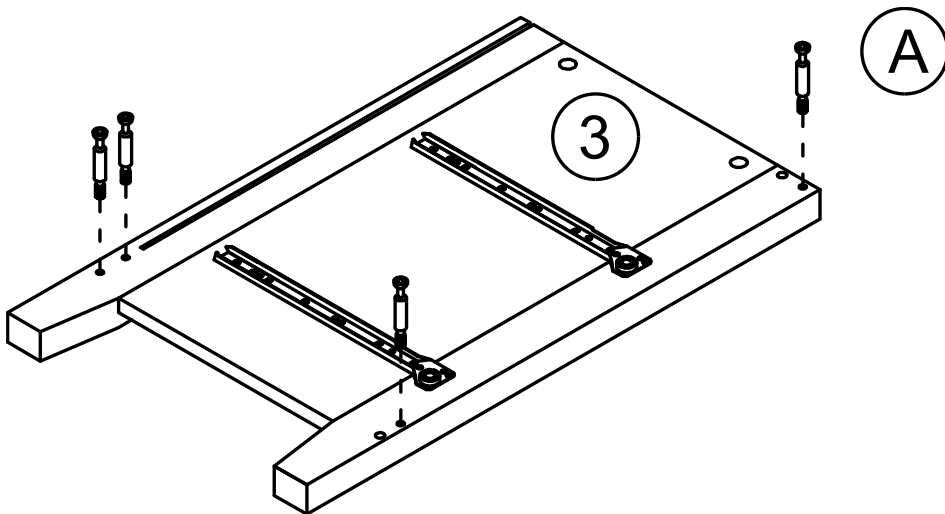
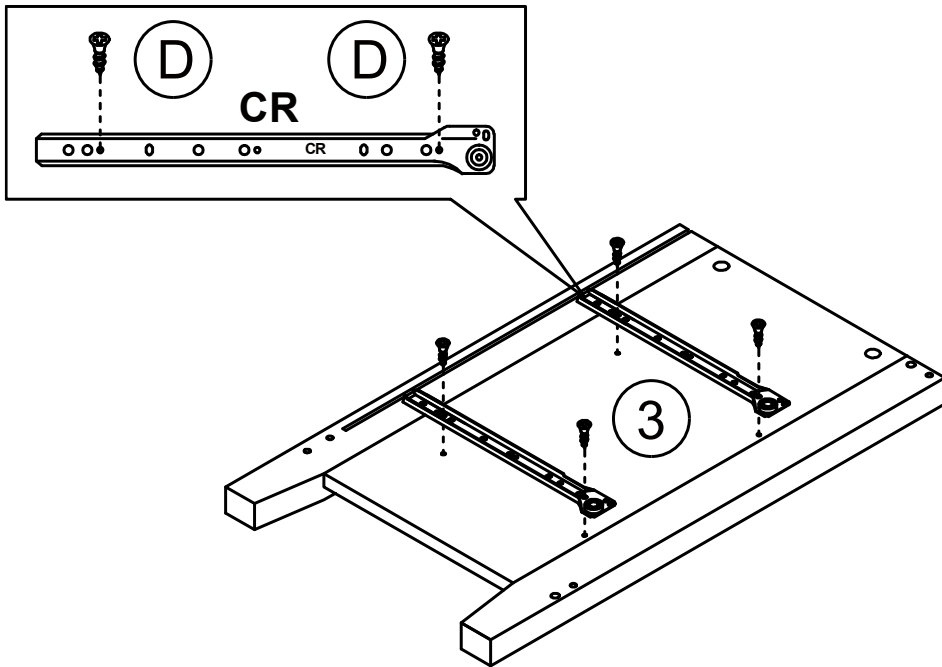
**STEP 1:**

- Prepare a protected surface with a blanket or cardboard.
- Secure 2pcs x left drawer runner(CL) on left side panel(2) with 4pcs x Screw(D).
- Secure 4pcs x Mini fix(A) on left side panel(2).



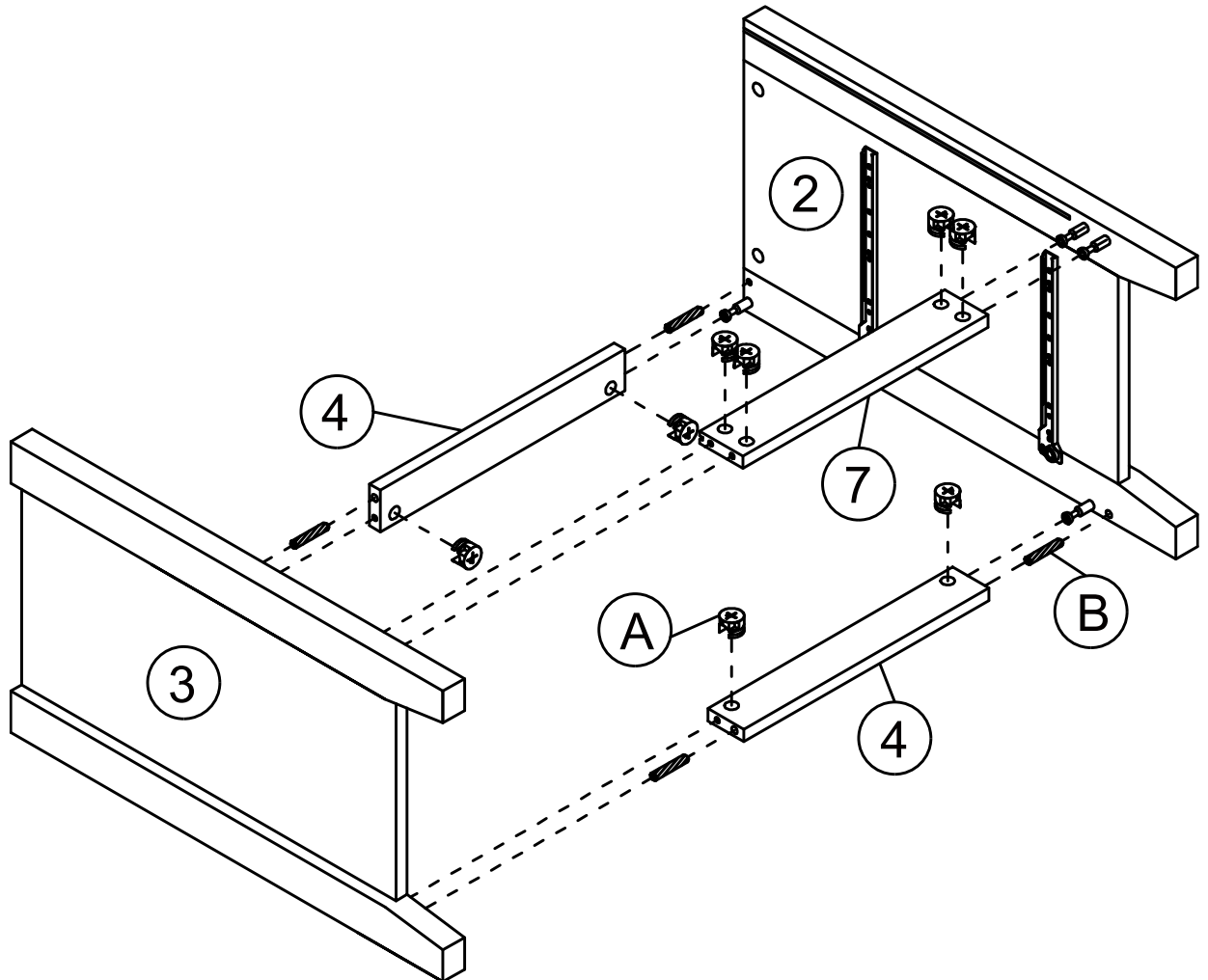
**STEP 2:**

- Secure 2pcs x right drawer runner(CR) on right side panel(3) with 4pcs x Screw(D).
- Secure 4pcs x Mini fix(A) on right side panel(3).



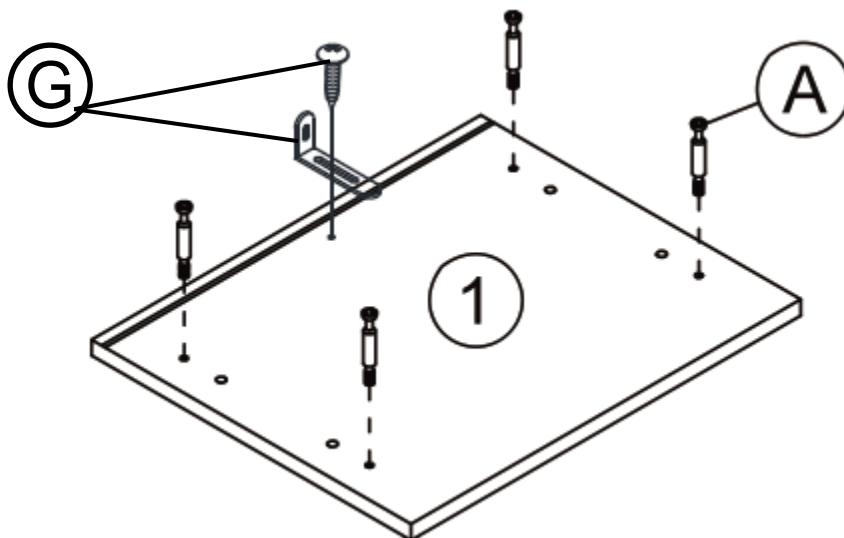
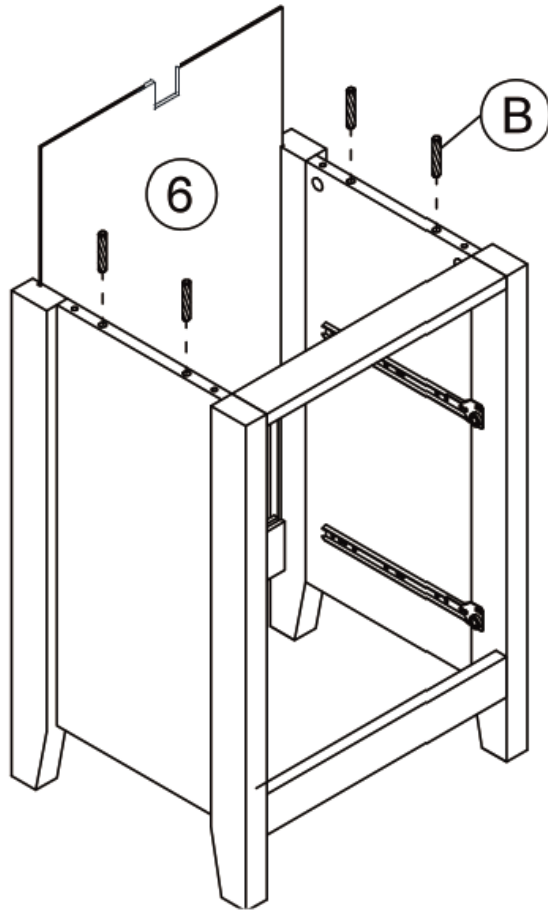
STEP 3:

- Assemble left side panel(2),right side panel(3), 2pcs x front rail(4) and back bottom rail(7) by 4pcs x wooden dowel(B);
- Lock the rails by 8pcs x mini fix cam(A).



STEP 4:

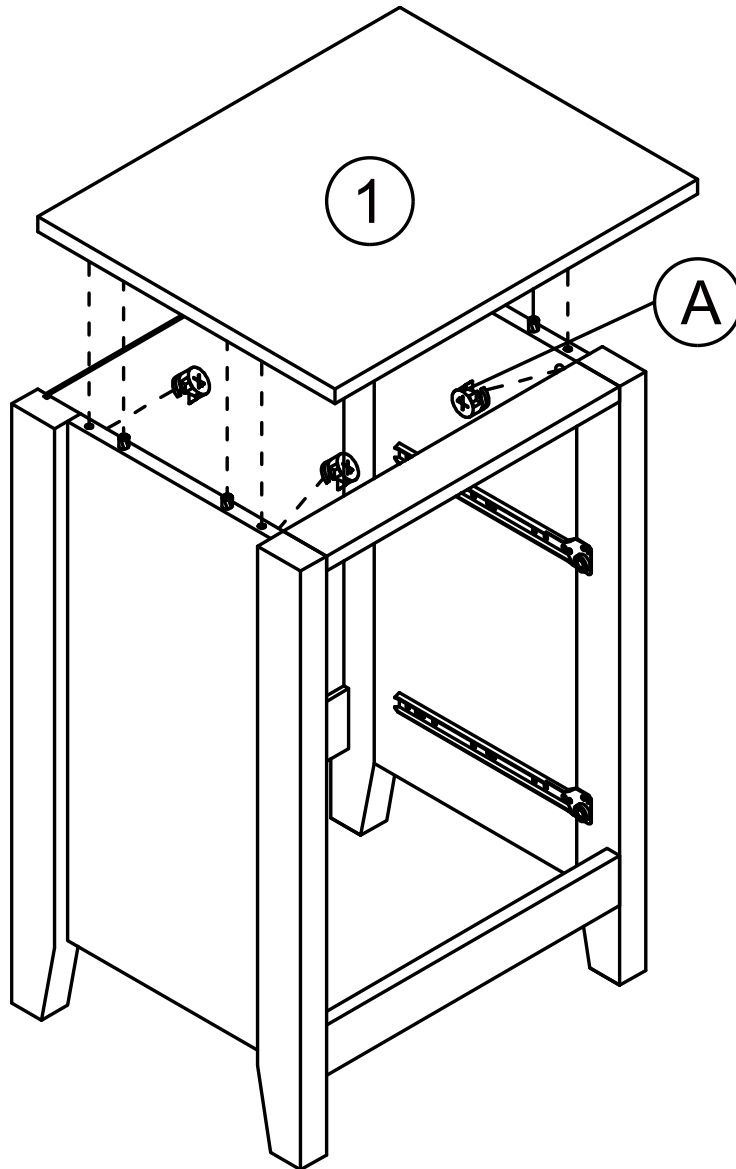
- Joint back panel(6) with frame , attach 4pcs x wooden dowel(B)
- Secure 4pcs x mini fix(A) on top(1)
- Secure 1set x anti-tips(G)





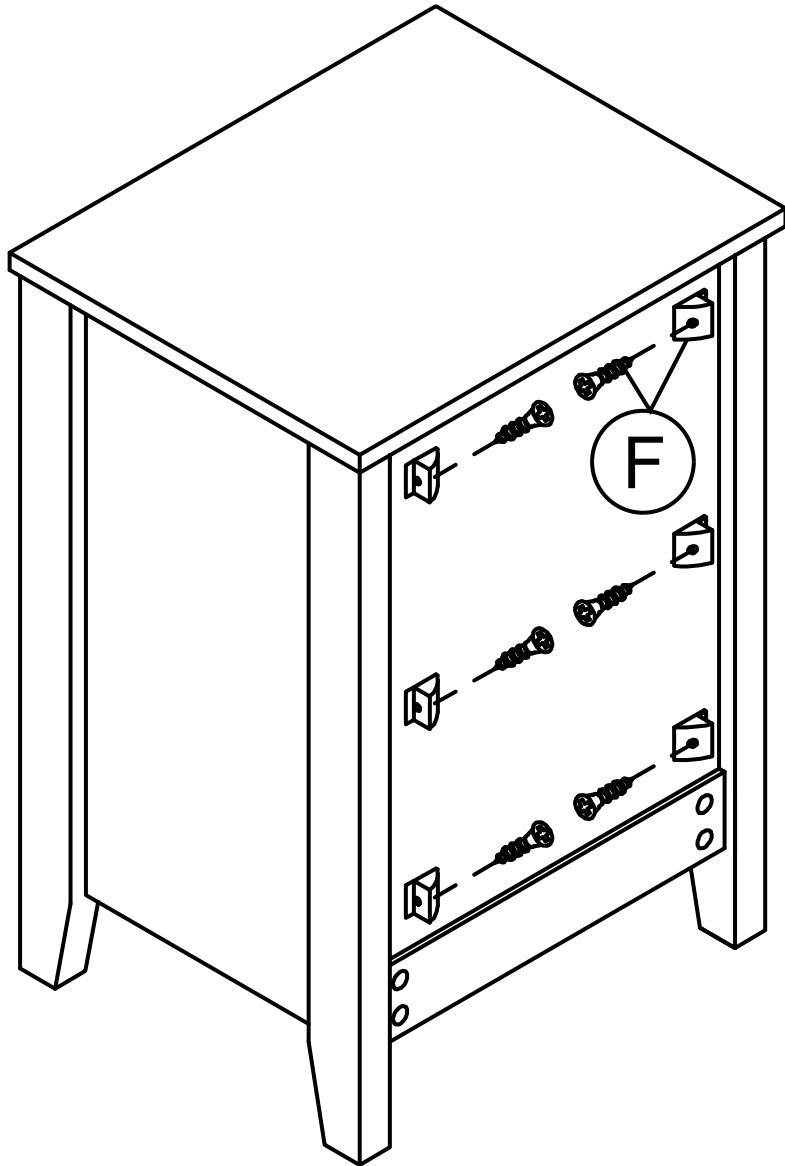
STEP 5:

- Assemble top(1) with base frame
- Lock top with base by 4pcs x mini fix cam(A)



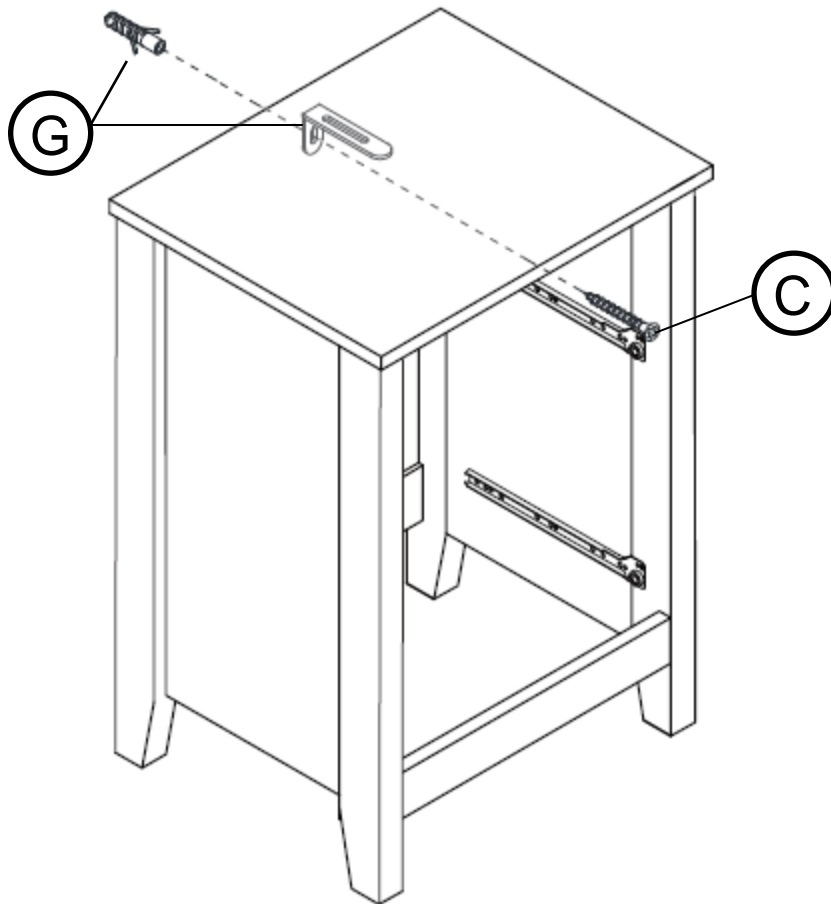
STEP 6:

- Secure 8pcs x back brackets(F)



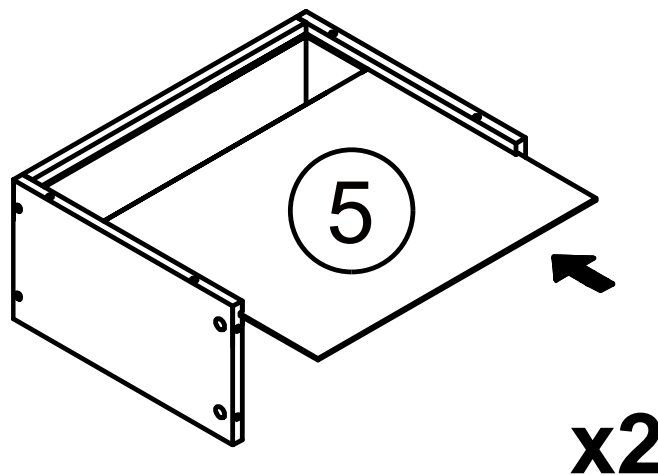
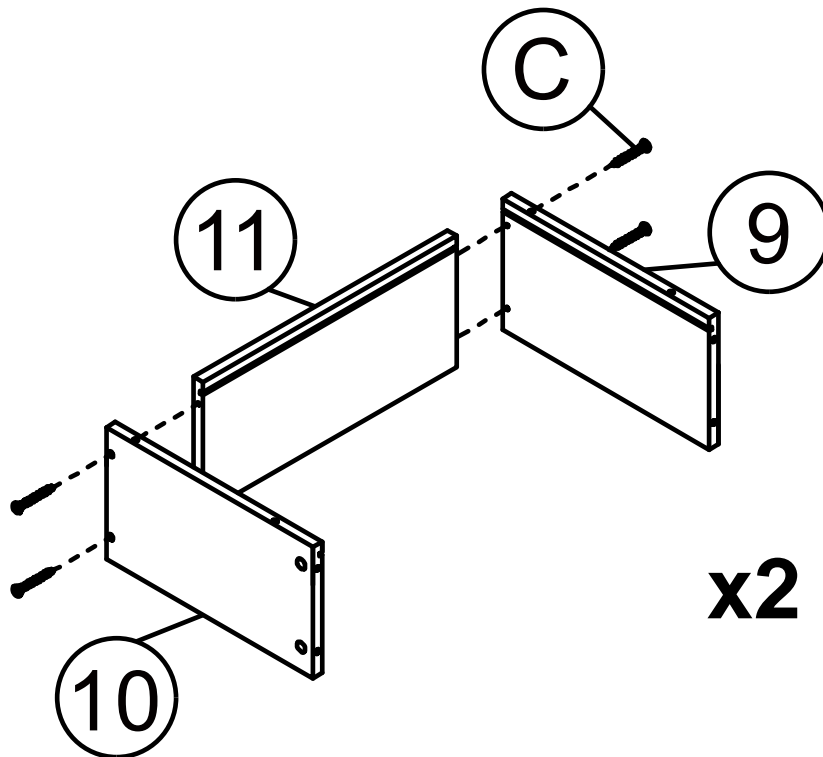
STEP 7:

- Secure item to wall with anti-tips(G)&1pcs x screw(C).



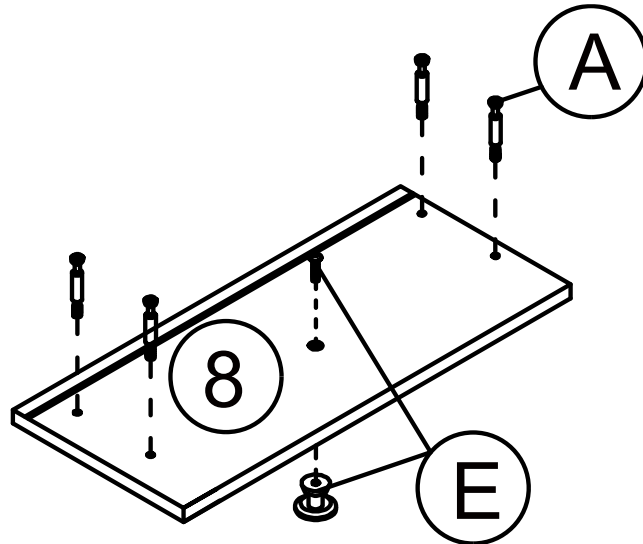
STEP 8:

- Assemble drawer left panel(9),drawer right panel(10)&drawer back panel(11) by 4pcs screw(C);
- Joint the drawer bottom panel(5)

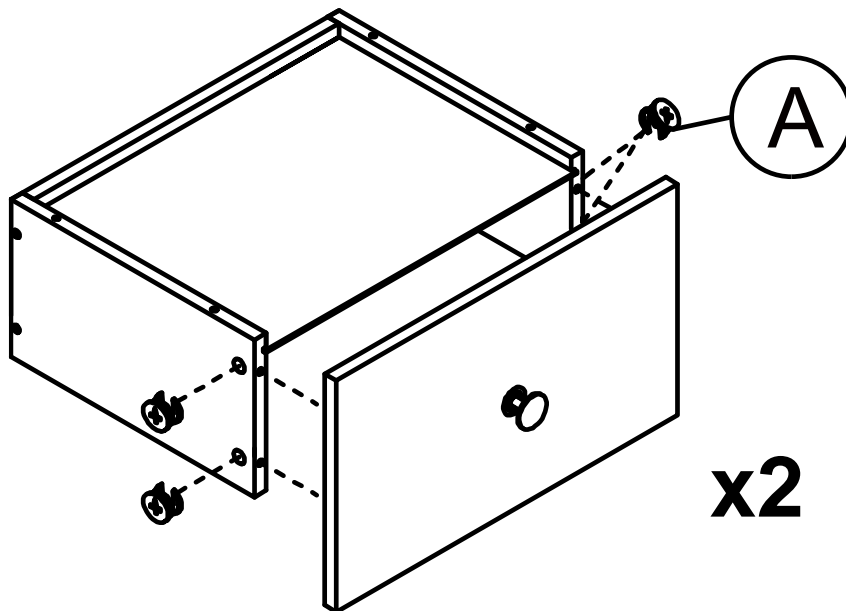


STEP 9:

- Secure 4pcs x mini fix(A) on drawer front panel(8),and then , attach the 1set x handle(E);
- Lock 4pcs x mini fix(A) to assemble the drawer



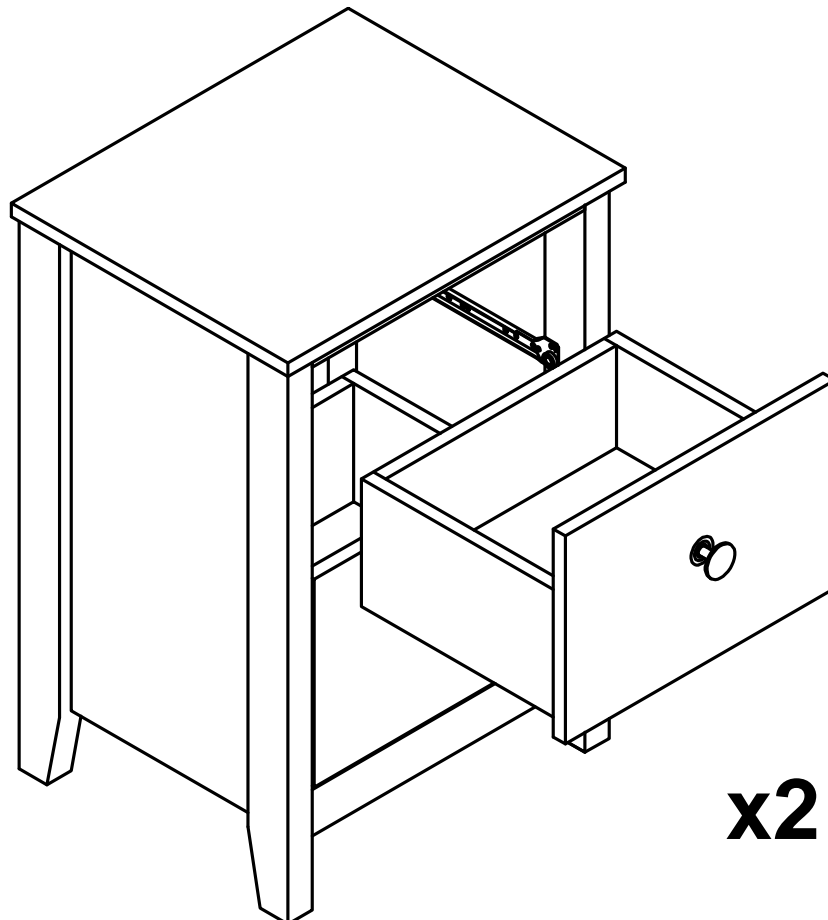
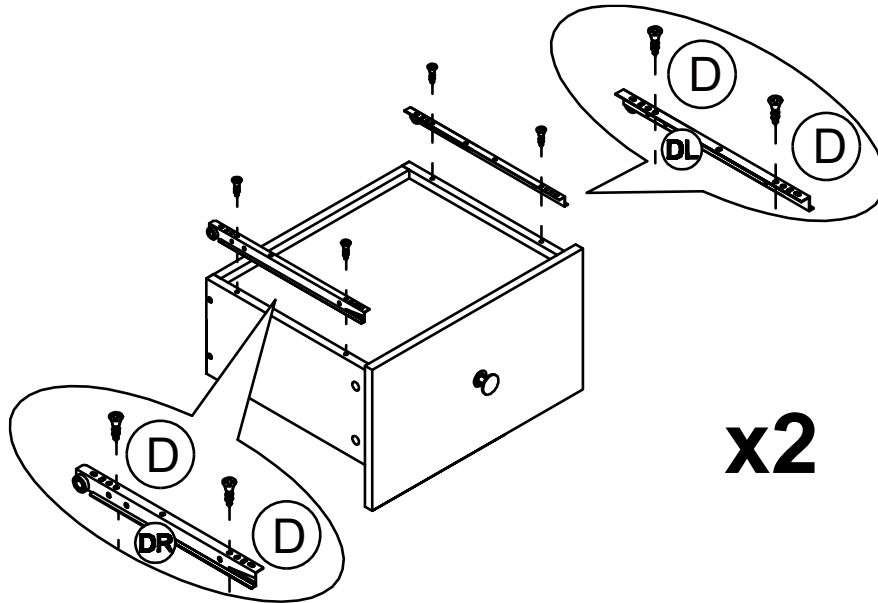
**x2**



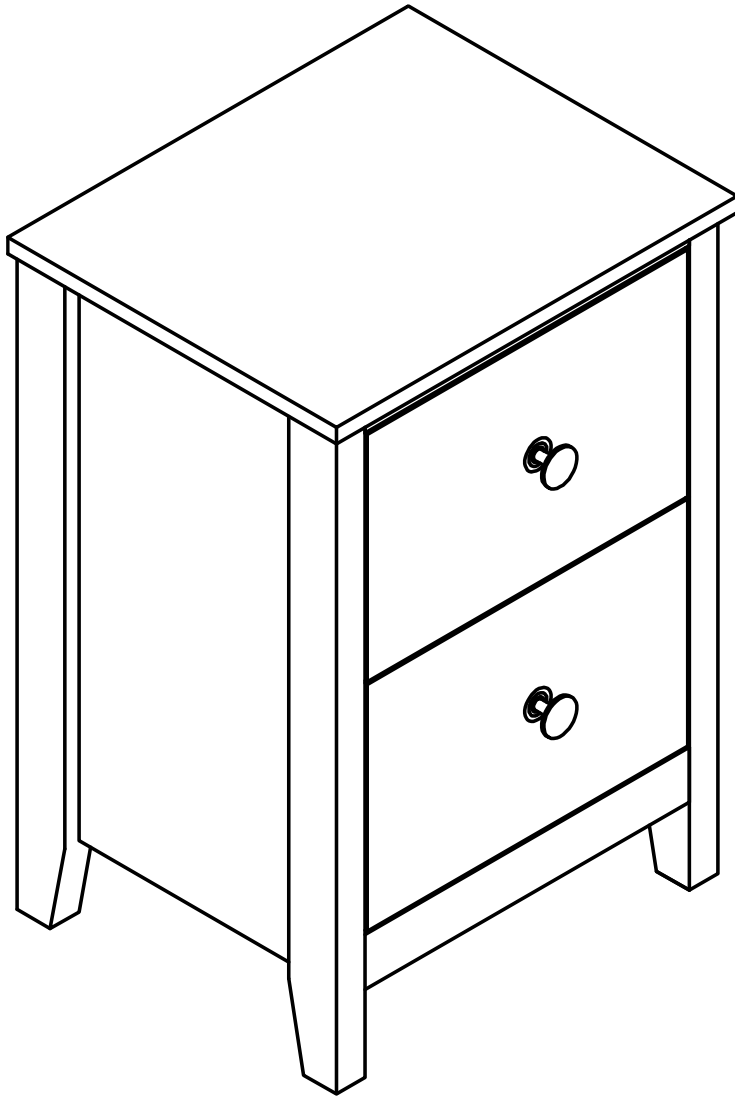
**x2**

STEP 10:

- Assemble the metal runner(DL)&(DR) by 4pcs x screw(D)
- Put the drawers in bedside table frame



Assembly Is Complete



## **PRODUCT CARE:**

To protect your furniture, we suggest the following:

- Avoid placing your furniture in direct sunlight.
- Do not place furniture directly under windows.
- Do not place sharp materials (knife, fork, etc.) directly onto your furniture as sharp material may scrape and damage the finish.
- Do not place material with high temperature directly onto the surface of your furniture.
- Clean up spills quickly. Water left over a prolonged period of time may cause damage. Alcohol, perfume, nail polishes, aftershave and some medication may cause severe finish damage if not cleaned immediately.
- Use a clean, soft, dry, lint free absorbent cloth to clean your furniture. Do not use any detergent as they may contain ingredients that may react and damage the finish.