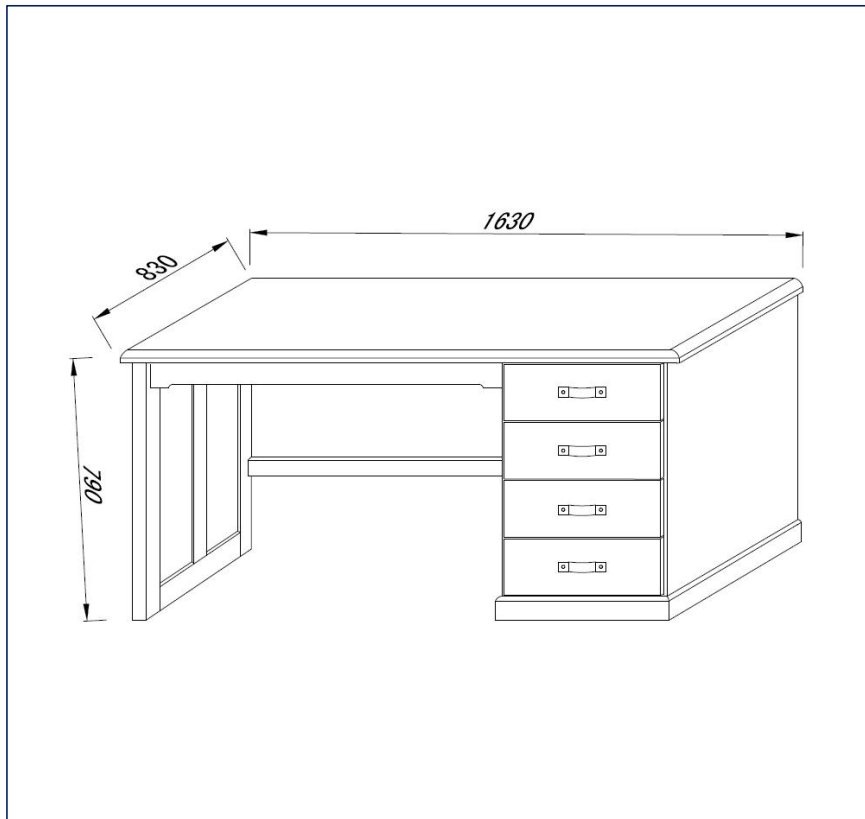




ASSEMBLY INSTRUCTION
SETTLER 4 DRAWER OFFICE DESK
ITEM CODE 63444

Imported by Amart Furniture Pty Ltd, Qld, Brisbane Australia.
For any assistance with assembly or for missing parts please phone
Amart Furniture, Customer Service Free call 1800 351 084






Imported by Amart Furniture Pty Ltd, Qld, Brisbane Australia.
For any assistance with assembly or for missing parts please phone
Amart Furniture, Customer Service Free call 1800 351 084

PRE-ASSEMBLY PREPARATION

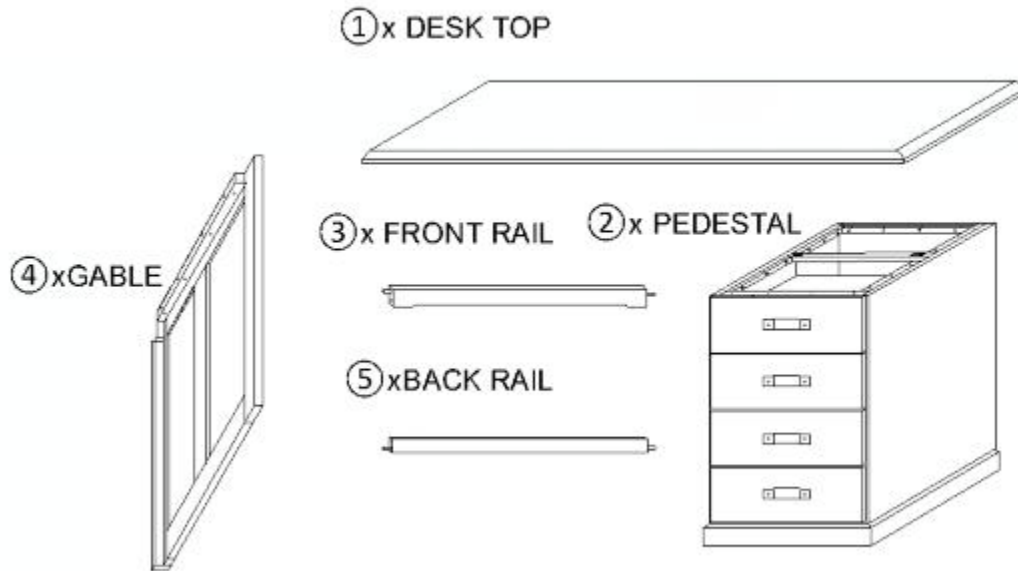
Before you start:

1. Choose a clean, level, spacious assembly area. Avoid hard surfaces that may damage the product
2. Take care when lifting. Product should be assembled as near as possible to the point of use
3. Ensure that you have all required contents for complete assembly
4. Always read the assembly instructions carefully before beginning assembly.
5. Keep all hardware parts and packaging out of reach of small children.
6. Do not over tighten the screws and bolts as this may damage the threads

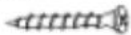



	
ALLOW 20 MINUTES	PEOPLE REQUIRED
	
ADDITIONAL TOOLS REQUIRED	

⚠ WARNING		
		<p>Children have died from furniture tipover.</p> <ul style="list-style-type: none">• ALWAYS secure it with an anchor device.• NEVER allow children to stand, climb or hang on drawers, doors, or shelves.• NEVER open more than one drawer at a time.• Place heavy items down low <p>NEVER put a TV on this furniture </p> <p>This is a permanent label. Do not remove!</p>

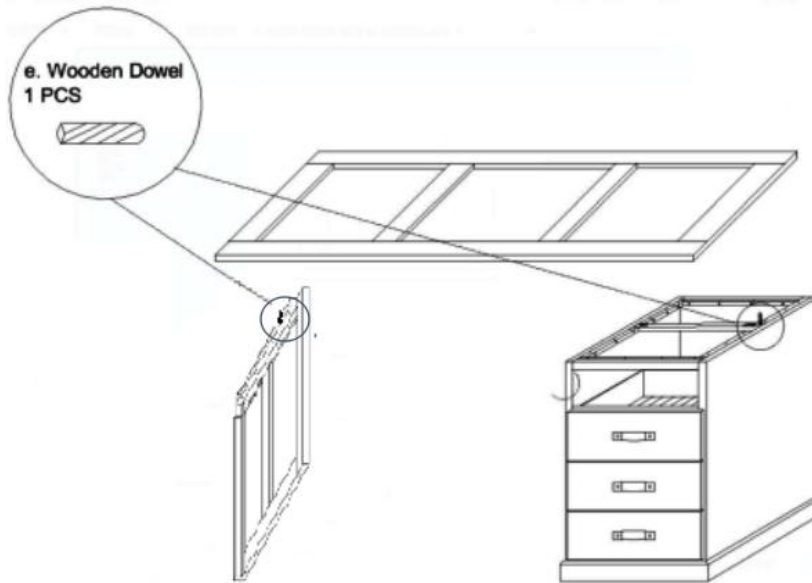
PARTS LIST



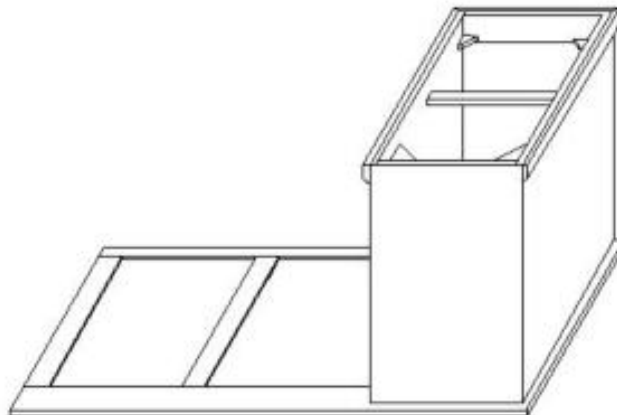
1	DESK TOP
2	PEDESTAL
3	FRONT RAIL
4	GABLE
5	BACK RAIL

<p>a. Screw M4mmx 35mm 14 PCS</p> 	<p>b. Allen Bolt M6mmx 75mm 4 PCS</p> 	<p>c. Furniture Connector 4 PCS</p> 	<p>e. Wooden Dowel M10mm X 50mm 2 PCS</p> 	<p>f. Allen Key 1 PCS</p> 
---	---	---	--	---

STEP 1: Flip the desk top ① upside down on the carton carefully. Put 1 pc wooden dowel onto pedestal ② right top. Put another 1 pc wooden dowel onto gable ④ top. Remove the first drawer from the right hand side pedestal ②.

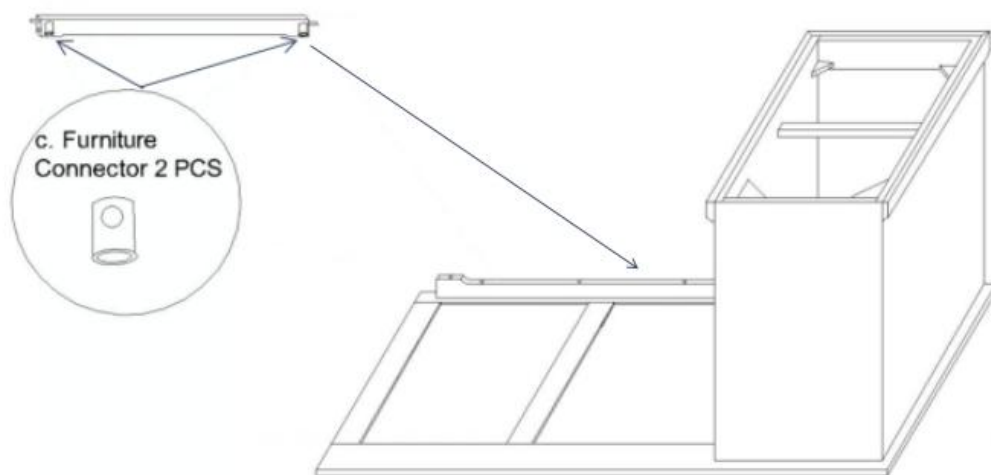


STEP 2: Carefully lift the pedestal ② upside down on the desk top ① and ensure the dowels sit firmly over the holes.



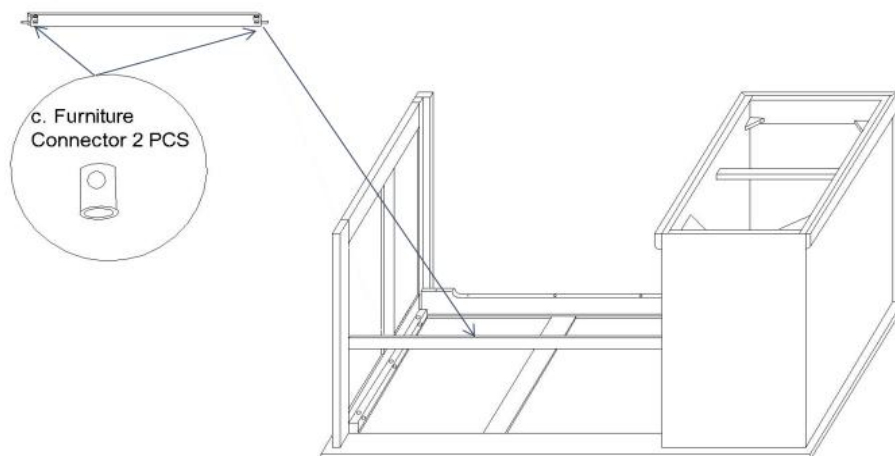
STEP 3: Put furniture connector on both side of the front rail, Fasten the front rail ③ to the pedestal ② with the allen bolt(b).

③x FRONT RAIL

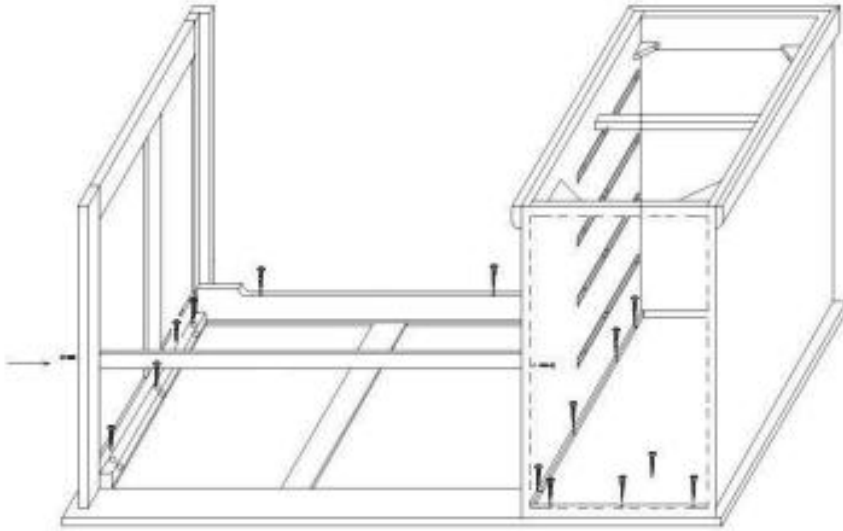


STEP 4: Flip the gable ④ upside down on the desk top ① carefully. Fasten the gable ④ to the front rail ③ with allen bolt (b). Put furniture connector on both side of the back rail, Fasten the back rail ⑤ to the pedestal ② and the gable ④ with the allen bolts(b).

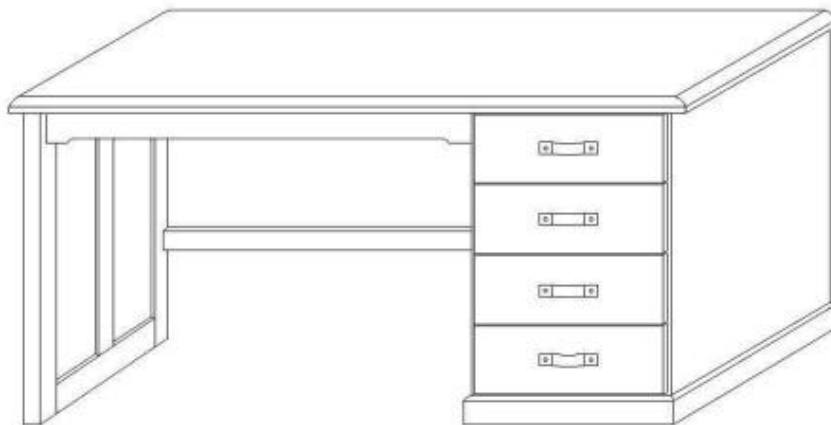
⑤xBACK RAIL



STEP 5: Mount the gable and the front rail with holes. Fasten down screws(a) with screwdriver.



ASSEMBLY IS COMPLETE



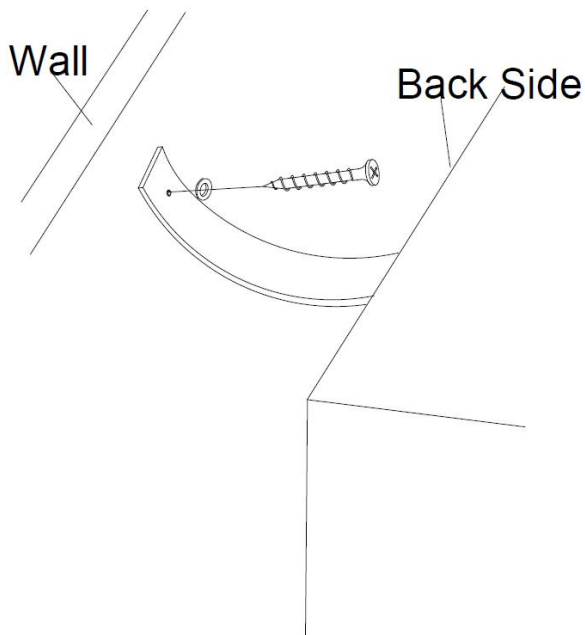
SAFETY BRACKETS INSTRUCTIONS

NOTE- This product must be fixed to a wall. It is important to ensure the correct wall fixings are used. Failure to do so may result in personal injury or property damage caused by the item toppling over. As wall materials vary greatly, the fastener required to fix this product to a wall is not included. If unsure, consult your local hardware store for advise on wall fixings suitable for your situation.

Screw
1 PCS



Washer
1 PCS



CARE AND MAINTENANCE

Timber

As our timber is supplied from sustainable forests there will be natural variations in surface texture and grain like knots, mineral streaks and sap runs that may affect the finish. These differences in character are not defects, but distinctions that make each piece of furniture unique

Our furniture is built to last. Following these steps for basic care should protect your investment for years to come

- Dust frequently with a clean damp lint-free cloth. This will help remove abrasive build up which can damage a finish over time
- Do not place hot objects on any furniture surface. Always use a hot plate or placemat. Laminate and lacquer finishes on table tops provide added scratch and heat resistance to our furniture, but they can still be damaged without proper care
- Avoid exposing your furniture to strong sunlight, heat outlet, open windows or dampness. Prolonged exposure to direct sunlight can fade the finish of your furniture, while extreme temperature and humidity changes can cause cracking or splitting
- Do not expose your furniture to any liquids. Never allow water to sit on your furniture. Alcohol, nail polish and perfume are also dangerous as they will dissolve the lacquer finish on contact and may require professional repairs
- Do not allow plastic to come in direct contact with your furniture. Chemicals in the plastic of placemats etc. may soften and mark the finish if left in contact with the furniture for a period of time