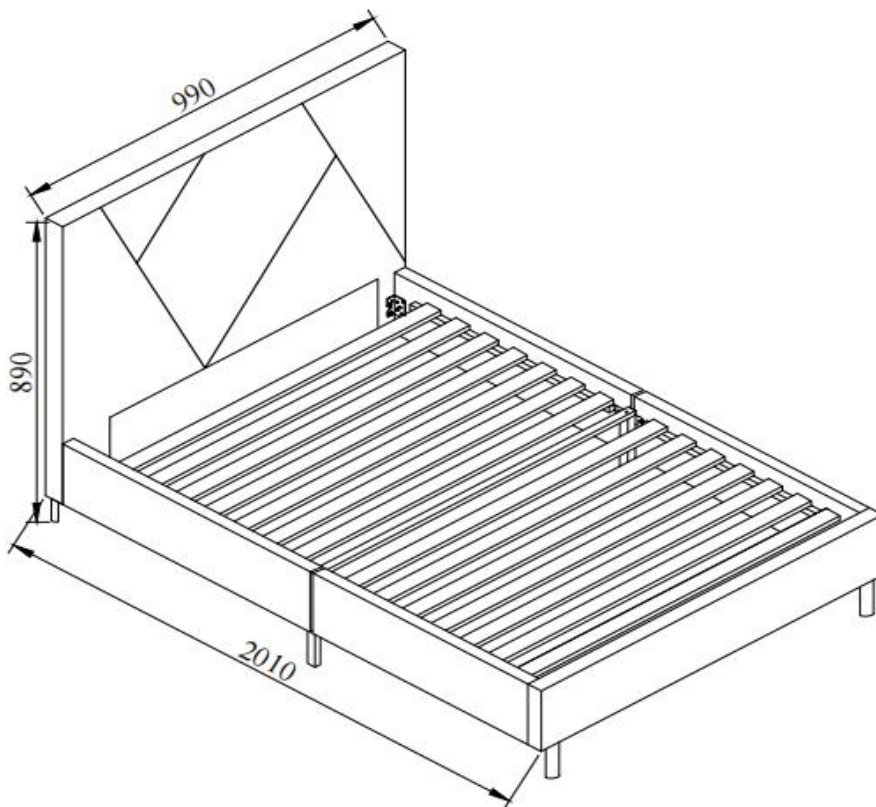


# ASSEMBLY INSTRUCTION

FRAZIER

SINGLE BED

74478


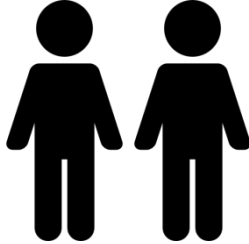


Imported by JWA Furniture Pty Ltd, Qld, Brisbane Australia.  
For any assistance with assembly or for missing parts please refer to your receipt









## PRE-ASSEMBLY PREPARATION

### Before you start:

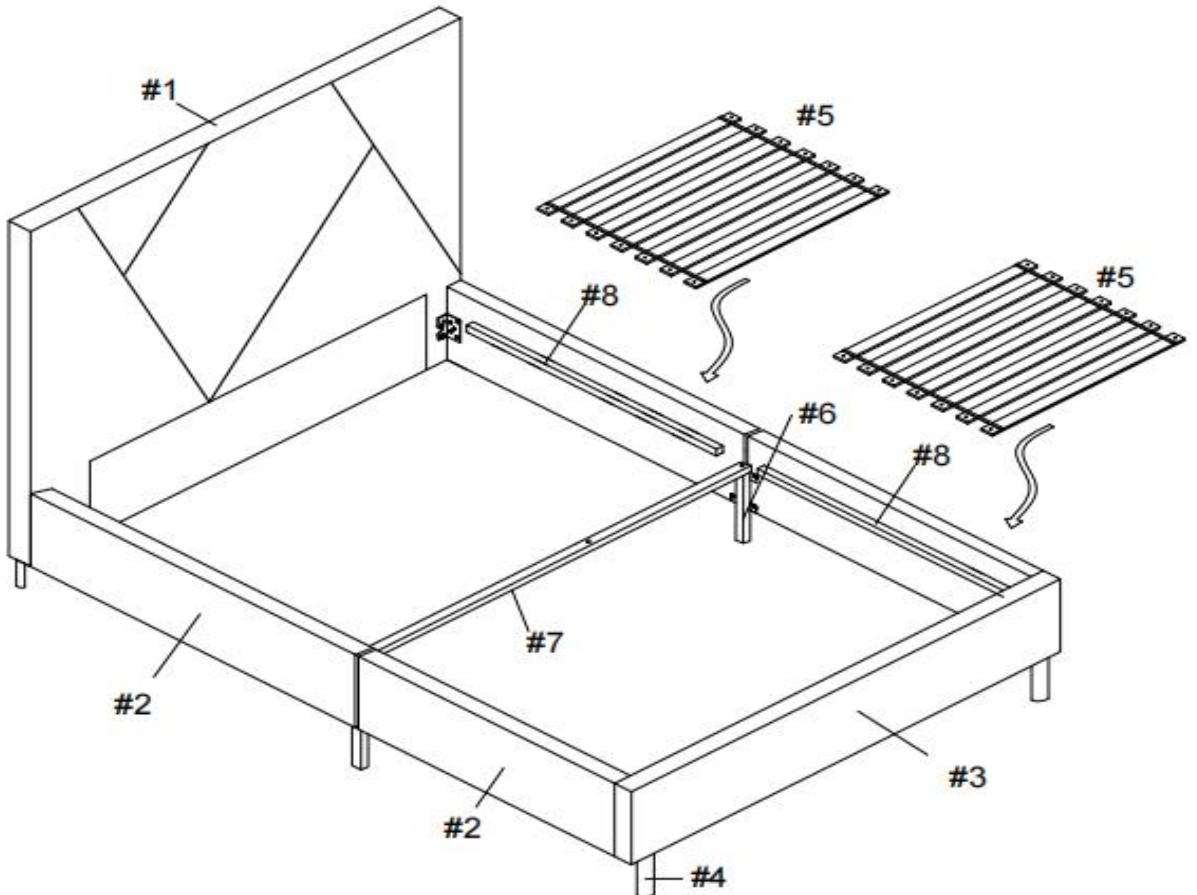
1. Choose a clean, level, spacious assembly area. Avoid hard surfaces that may damage the product
2. Take care when lifting. Product should be assembled as near as possible to the point of use
3. Ensure that you have all required contents for complete assembly
4. Always read the assembly instructions carefully before beginning assembly.
5. Keep all hardware parts and packaging out of reach of small children.
6. Do not over tighten the screws and bolts as this may damage the threads
7. Assembly is to be carried out by a competent adult(s) ONLY
8. During assembly, children should be kept away from the product due to possible risk to injury.
9. Do not use this item if any components are missing or damaged.
10. Please keep the instructions for future reference.

	
Allow 40 min	For 2 people

# PARTS LIST

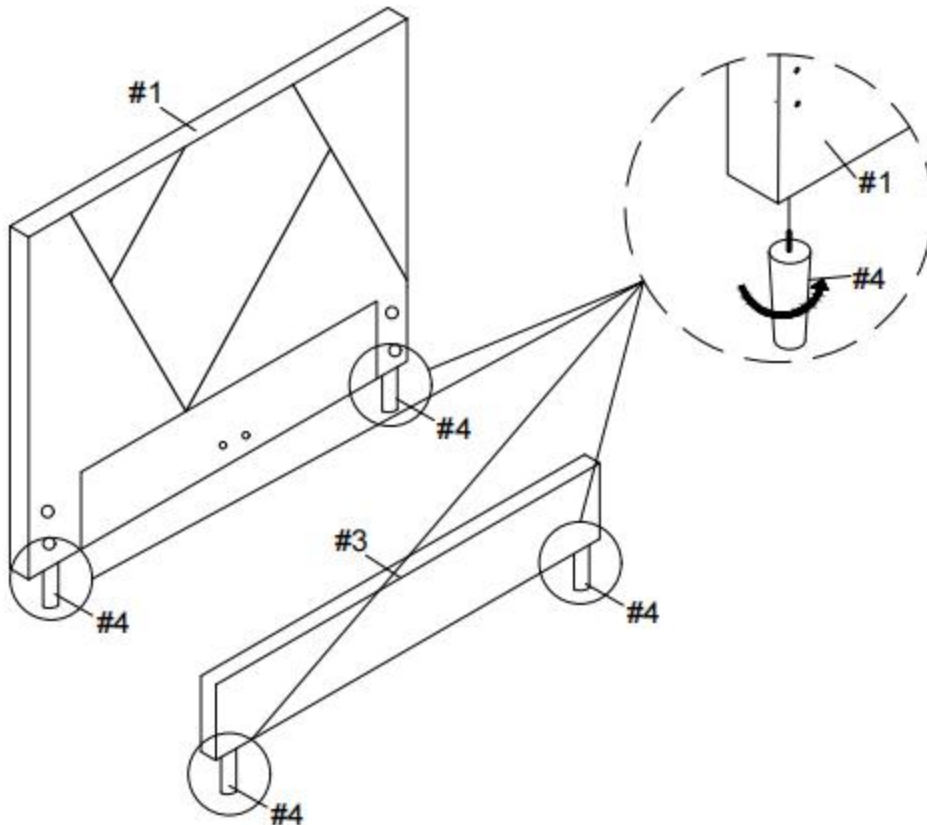
<p>#A Bolt M8X30MM x 10pcs</p> 	<p>#B Allen Wrench M4 x 1pc</p> 	<p>#C Bolt M6X 15MM x 8pcs</p> 	<p>#D Lock Washer M8 x 10pcs</p> 
<p>#E Bolt M6X40MM x 12pcs</p> 	<p>#F Flat Washer <math>\phi</math> 19 x 10pcs</p> 	<p>#G Flat Washer <math>\phi</math> 16 x 20pcs</p> 	<p>#H Allen Wrench M5 x 1pc</p> 

1	Head Board x 1pc	5	Slat x 14pcs
2	Side Rail (L&R) x 4pcs	6	Siderail Support Leg x 2pcs
3	Foot Board x 1pc	7	Center Cross Bar x 1pc
4	HB/FB leg x 4pcs	8	Wood Side Rail Bar x 4pcs



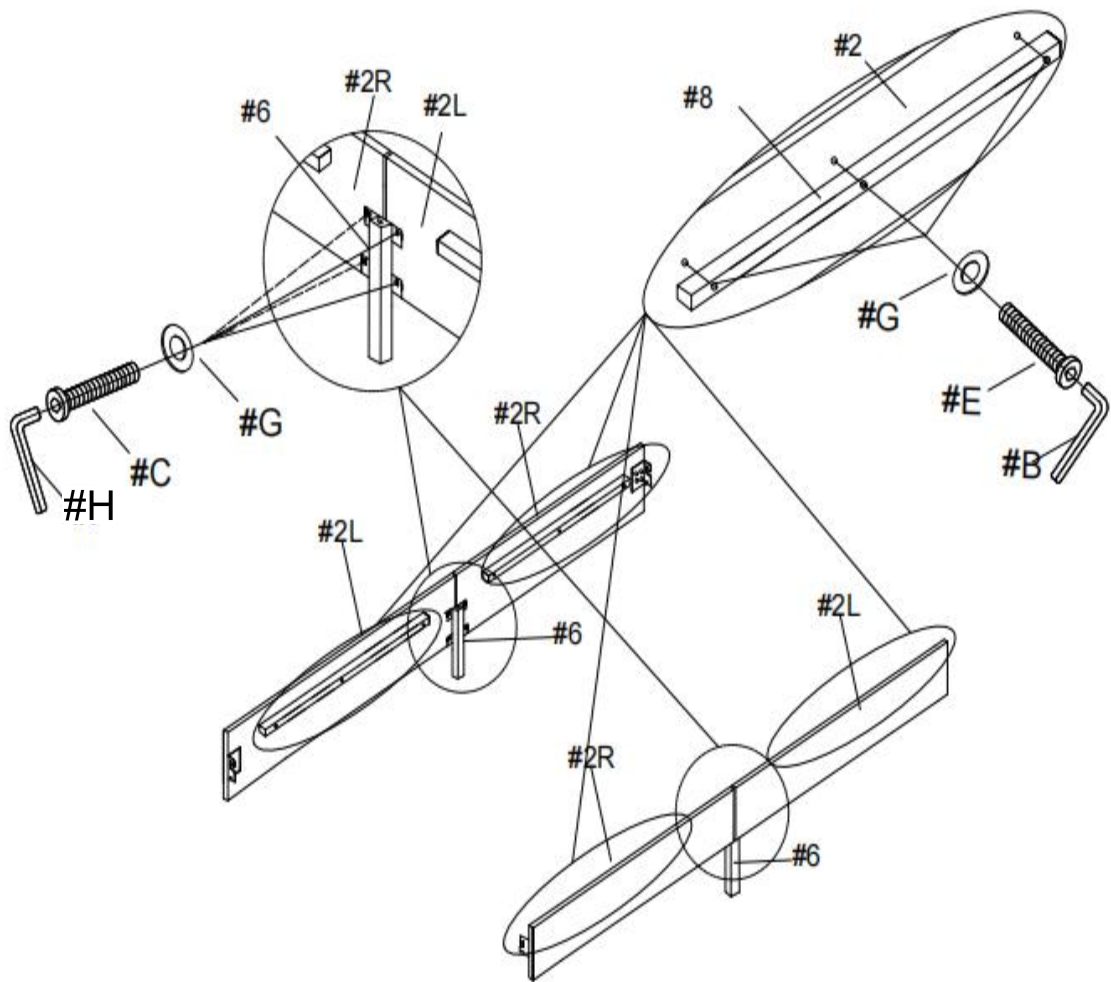
### STEP 1:

- Prepare a protected surface with a blanket or cardboard.
- Attach 2x HB/FB Legs(4) to the 1x Head Board(1) and 2x HB/FB Legs(4) to the 1x Foot Board(3), as shown as below.



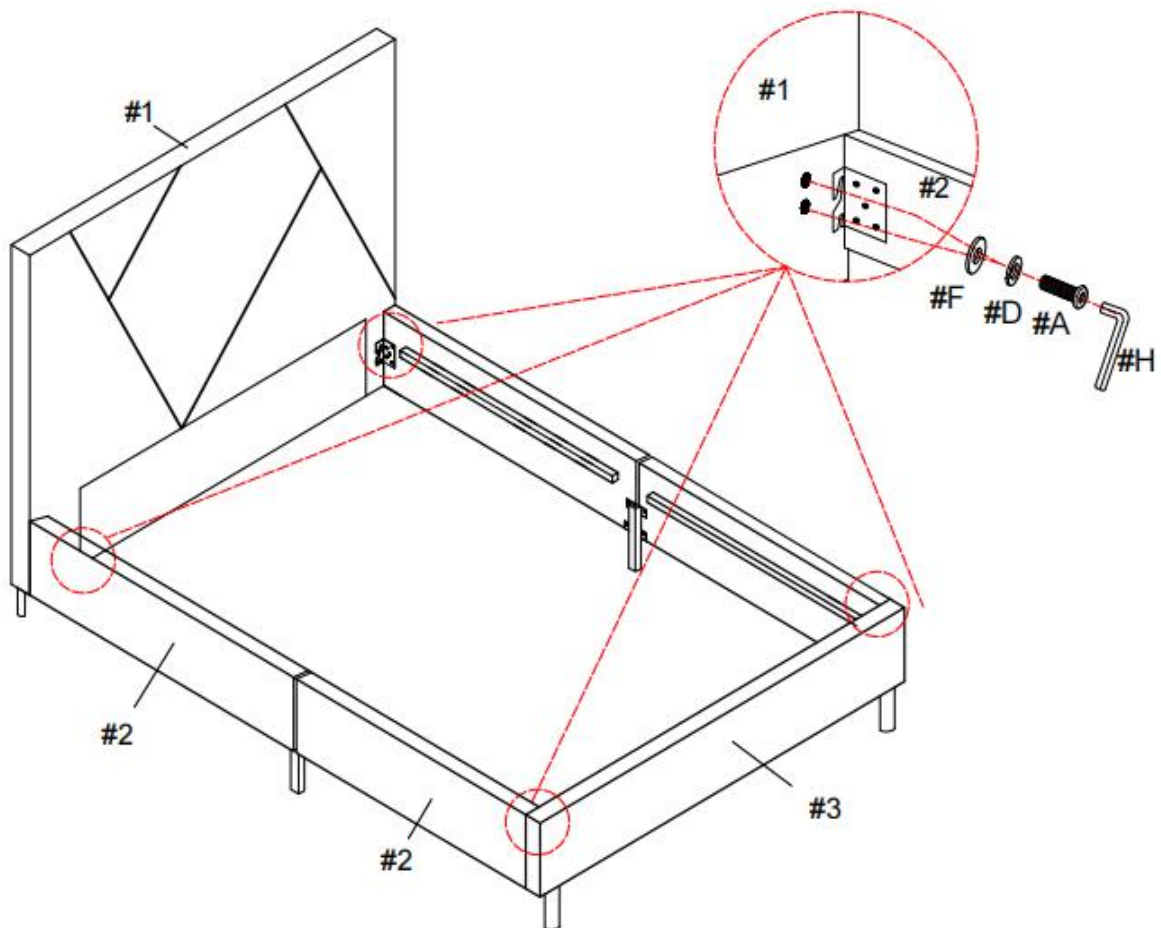
## STEP 2:

- Attach the 4x Wood Side Rails Bars(8) to the 4x Left and Right Siderails(2), Use 3x Bolt(E) and 3x Flat Washer(G) per bar, threaded from the top and fasten with allen key(B).
- Attach the 2x Side Rails Support Legs(6) to the 4x Left and Right Siderails(2), as shown below. Use 4x bolt(C) and 4x Flat Washer(G) per leg, threaded from the top. Fasten with allen key(H). Ensure the connection is tight.



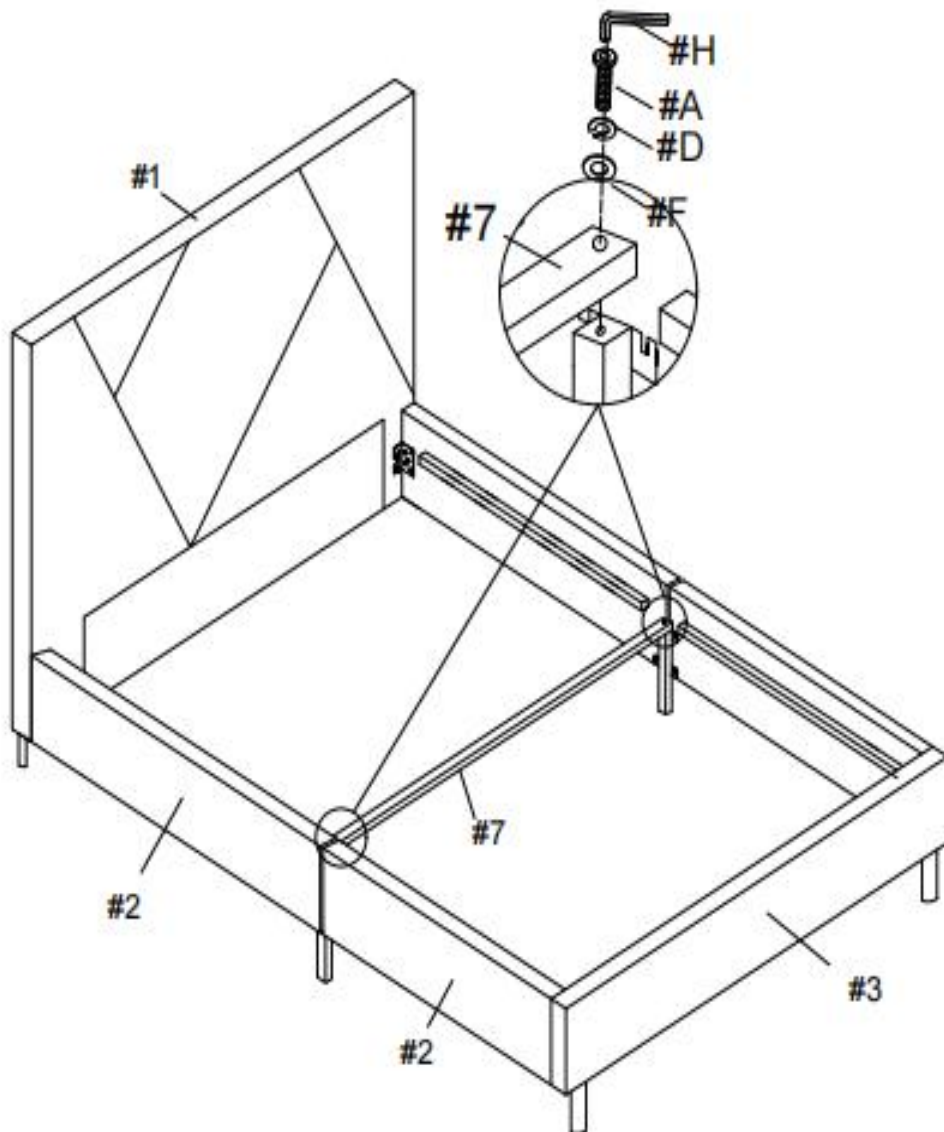
### STEP 3:

- Connect a side rail to the Head Board and Foot Board. Secure with 2x bolt(A) and 2x Lock Washer(D) & 2x Flat Washer(F) per corner. Fasten with allen key(H).
- Repeat for the other side rail.



**STEP 4:**

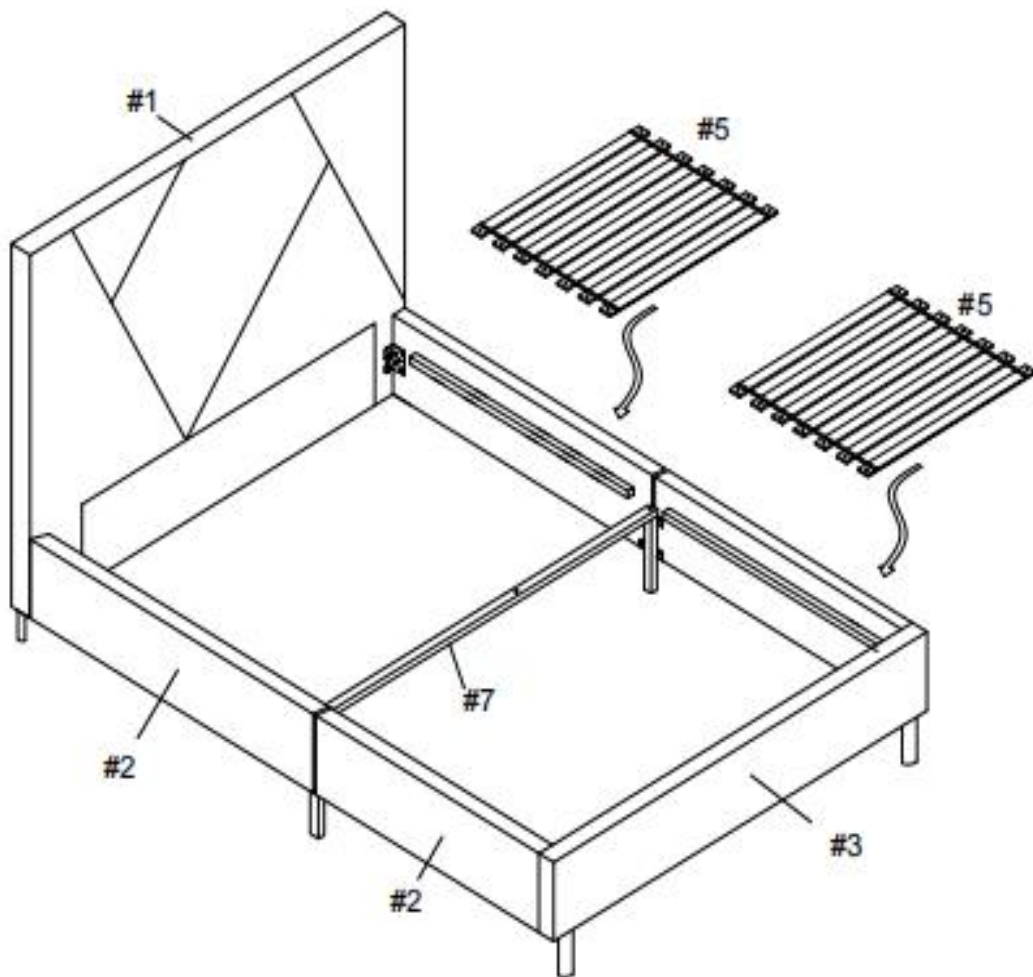
- Attach the Center Cross Bar (7) to the 2x Side Rails(2), as shown below. Use 2x bolt(A) with 2x Lock Washer(D) & 2x Flat Washer(F) for each end. Fasten with allen key(H).





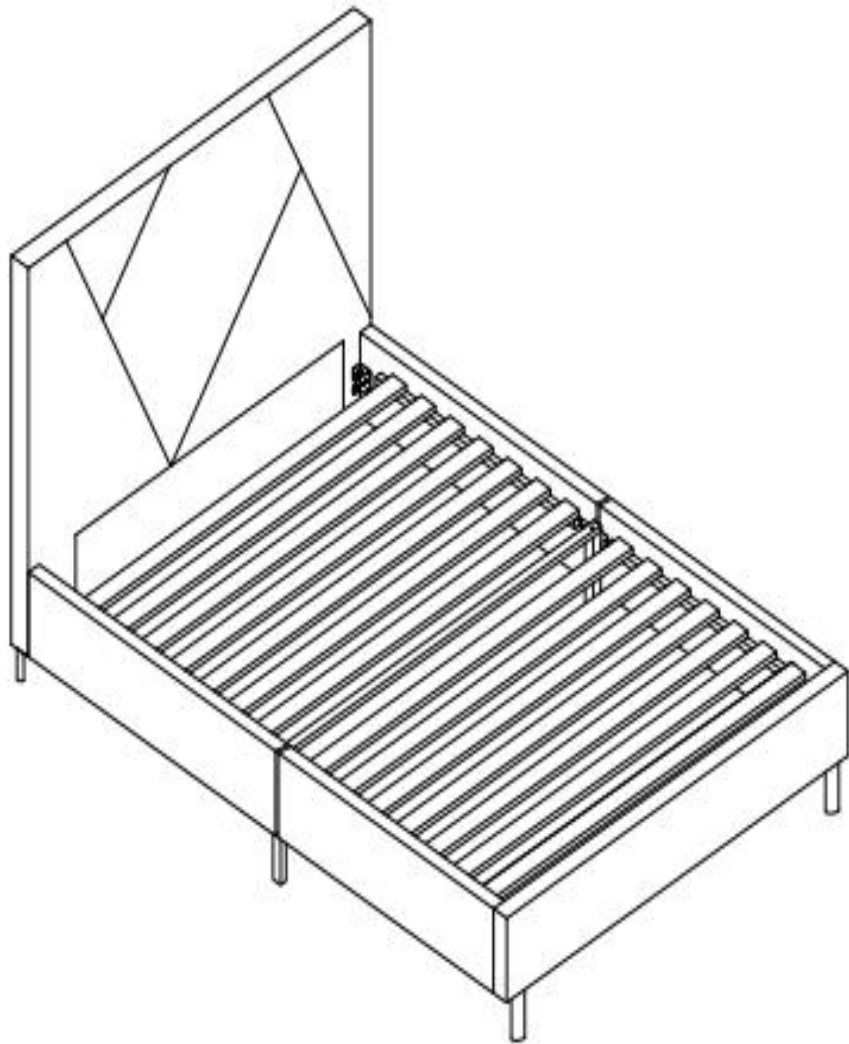
STEP 5:

- Flatten the 14x slats (5) on the bed frame. Assembly is finished.





Assembly Is Complete



# **PRODUCT CARE:**

## **FURNITURE / BED**

- 1. When assembling your bed please ensure that you have checked the contents for all relevant parts.**
- 2. When tightening bolts make sure that they are fully tightened but not forced.**
- 3. When moving your fully assembled bed you must first remove the mattress and lift the frame into position, take care when lifting and always have two people handling the bed. PLEASE DO NOT DRAG THE BED as this will cause damage to the rail.**
- 4. It is advisable to use approved cleaning products when cleaning the furniture and bed frame as certain chemical based cleaners could have an adverse effect on the bed finish.**