

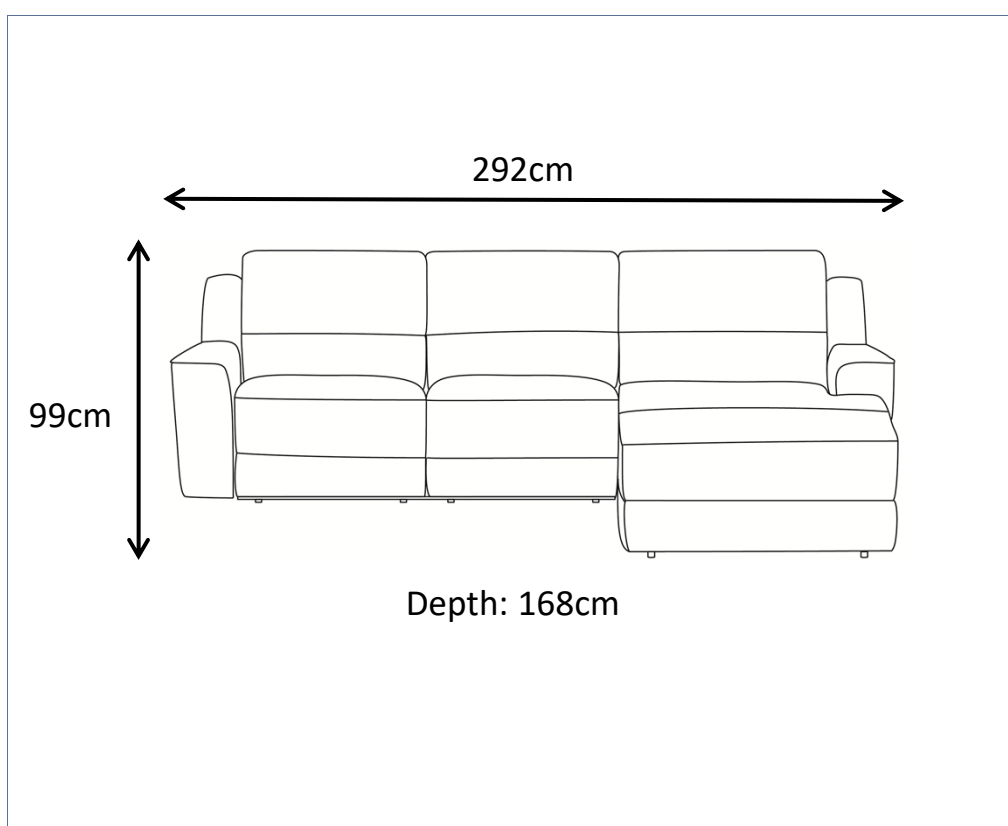


## ASSEMBLY INSTRUCTION

VIVALDI 3 SEATER CHAISE

ITEM CODE 68998

Imported by Amart Furniture Pty Ltd, Qld, Brisbane Australia.  
For any assistance with assembly or for missing parts please phone  
Amart Furniture, Customer Service Free call 1800 351 084





Imported by Amart Furniture Pty Ltd, Qld, Brisbane Australia.

For any assistance with assembly or for missing parts please phone  
Amart Furniture, Customer Service Free call 1800 351 084

## PRE-ASSEMBLY PREPARATION

### Before you start:

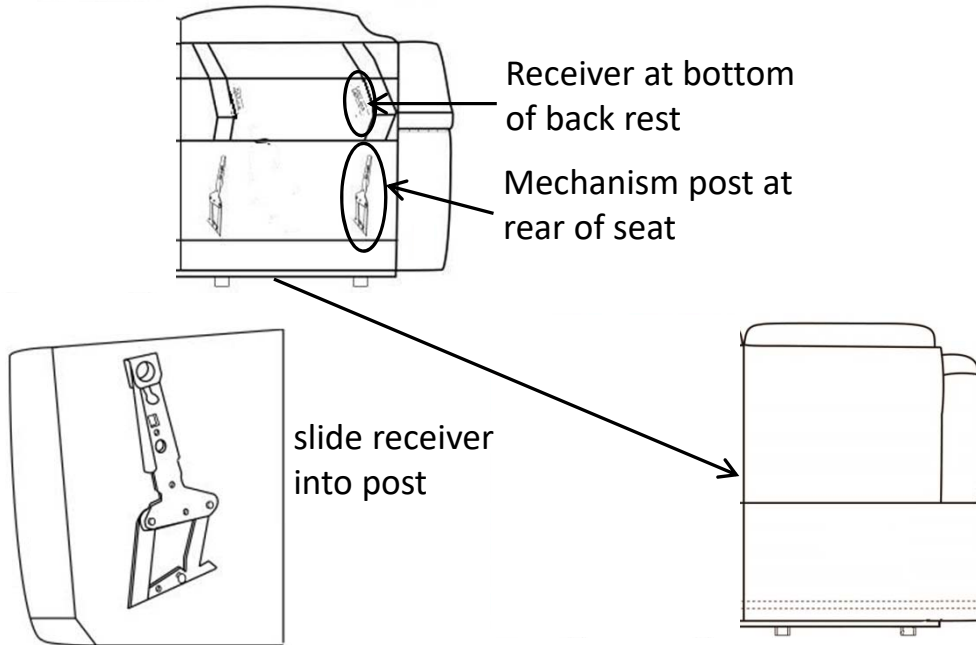
1. Choose a clean, level, spacious assembly area. Avoid hard surfaces that may damage the product
2. Take care when lifting. Product should be assembled as near as possible to the point of use
3. Ensure that you have all required contents for complete assembly
4. Always read the assembly instructions carefully before beginning assembly.
5. Keep all hardware parts and packaging out of reach of small children.
6. Do not over tighten the screws and bolts as this may damage the threads

	
ALLOW 15MINUTES	PEOPLE REQUIRED
ADDITIONAL TOOLS REQUIRED	

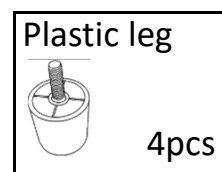
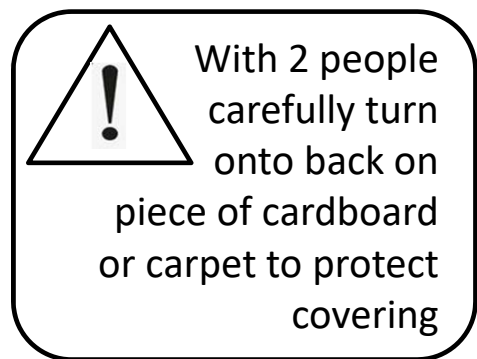
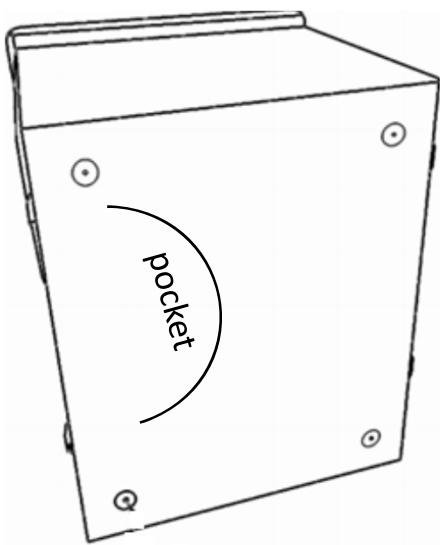
### **WARNING**

- Do Not allow children to play on this mechanised furniture or operate the mechanism. Leg rest folds down on closing so that a child could possibly be injured. Always leave in an upright and closed position. Keep hands and feet clear of mechanism. Only the occupant should operate it.

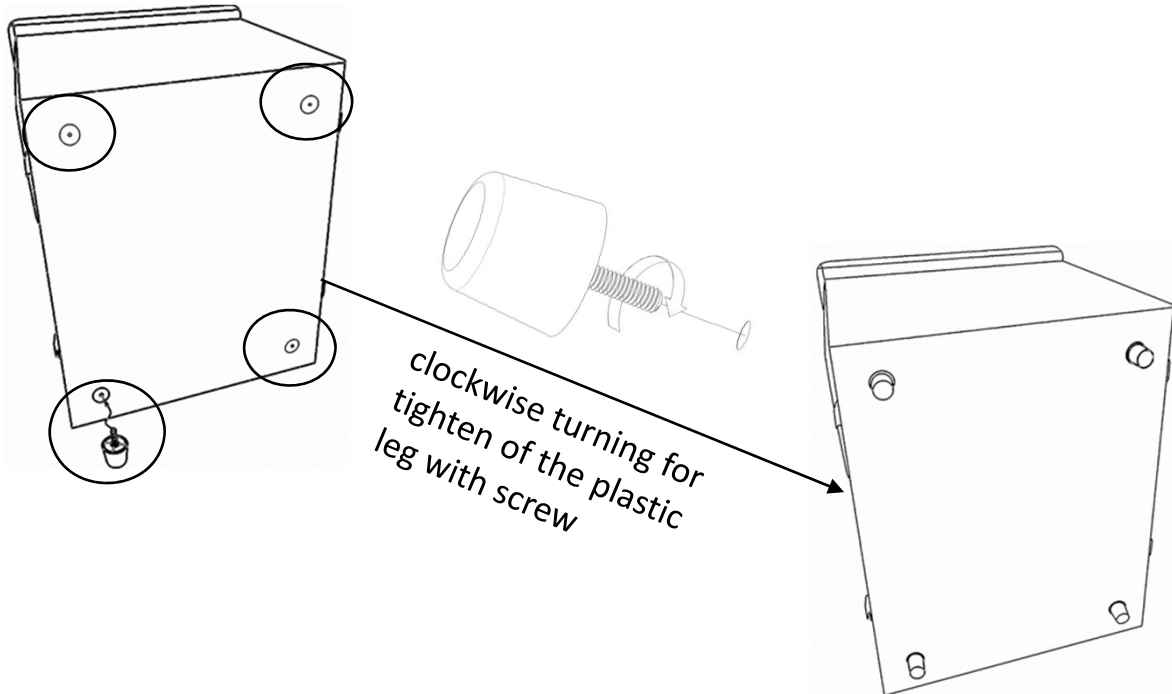
Step1: Keep back rest in upright position, then slide receivers into steel mechanism posts at the seat of LHF facing recliner, and press both sides of the back firmly into place to ensure fully locked.



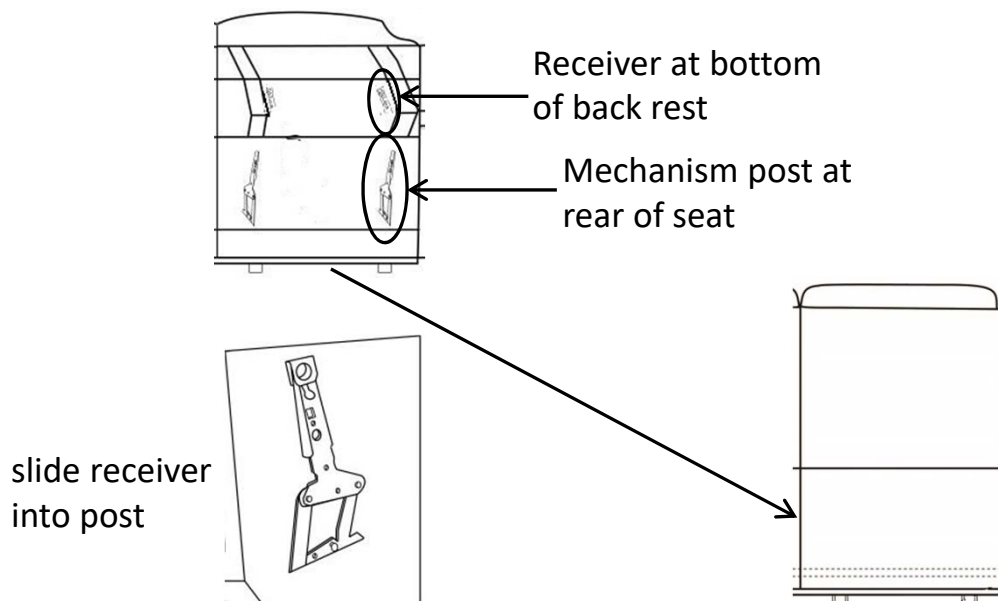
Step2: Locate package of sofa legs that is placed into zipper pocket at the bottom of armless chair.



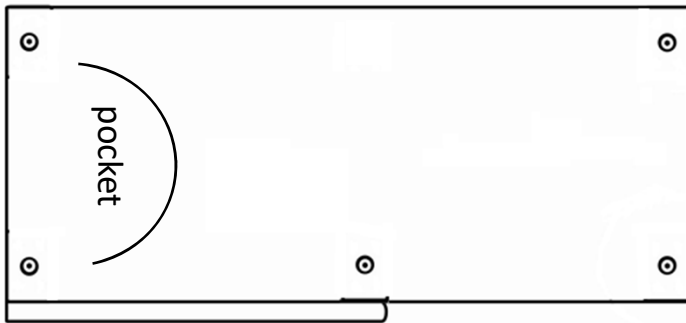
Step3: Take out the 4 plastic legs, then screw them into holes at the bottom of armless chair.



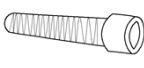
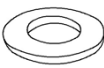
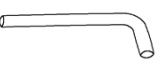


Step4: Slide back receivers into steel mechanism posts in the base of armless chair, and then press both sides of the back firmly into place to ensure the back automatically locks in place.



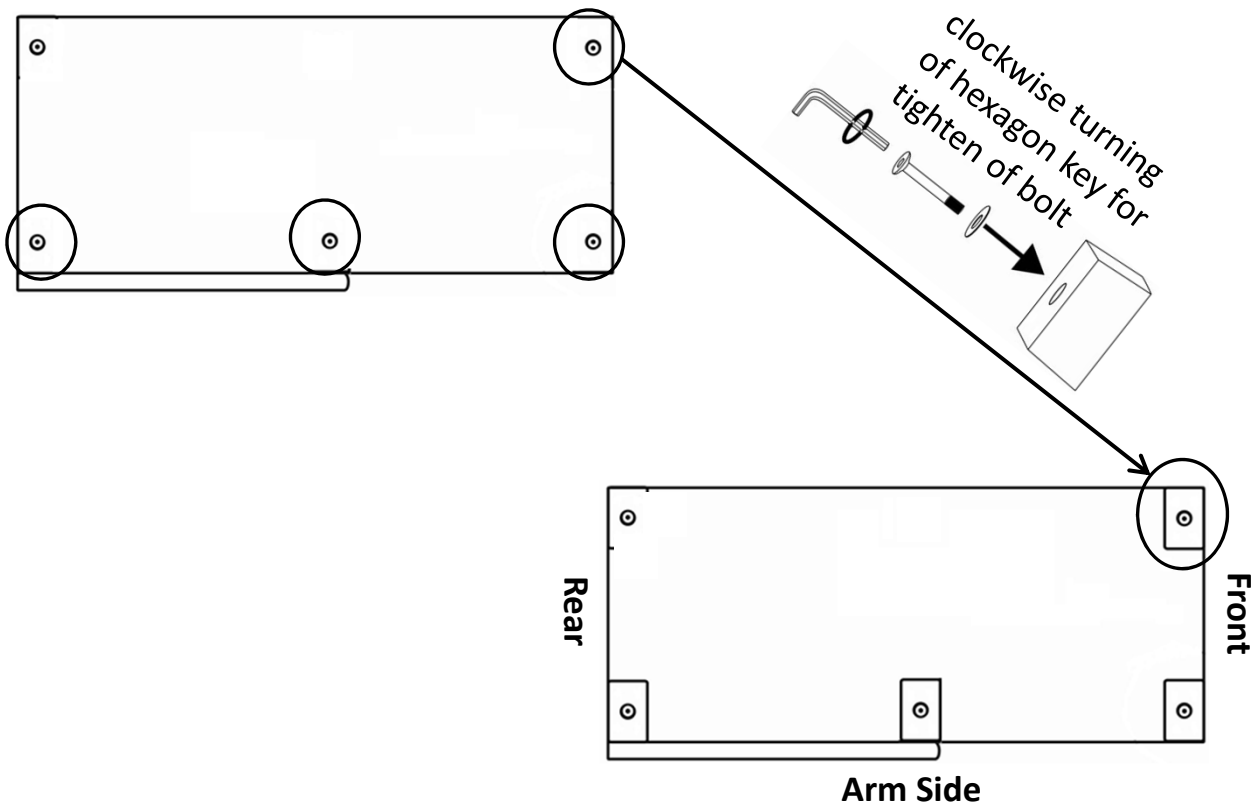
Step5: Locate package of sofa legs and hardware that is placed into zipper pocket at the bottom of RHF facing chaise.



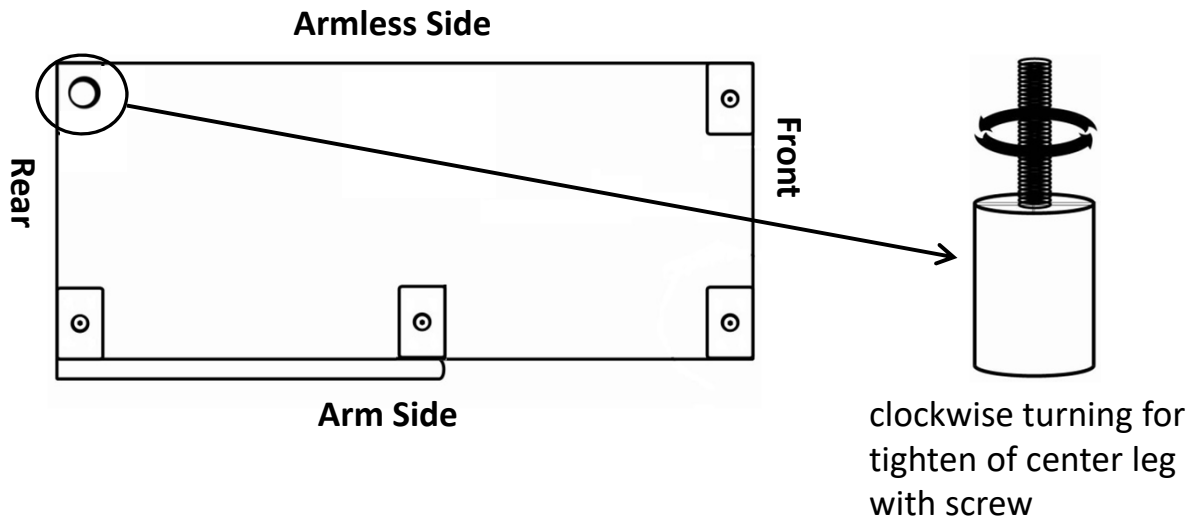
With 2 people carefully turn onto back on piece of cardboard or carpet to protect covering

<p><b>Bolt M8X60</b></p>  <p>4pcs</p>	<p><b>Washer</b></p>  <p>4pcs</p>	<p><b>Hexagon key</b></p>  <p>1pcs</p>	<p><b>Support leg</b></p>  <p>1pcs</p>	<p><b>Side leg</b></p>  <p>4pcs</p>
--	--	---	--	--

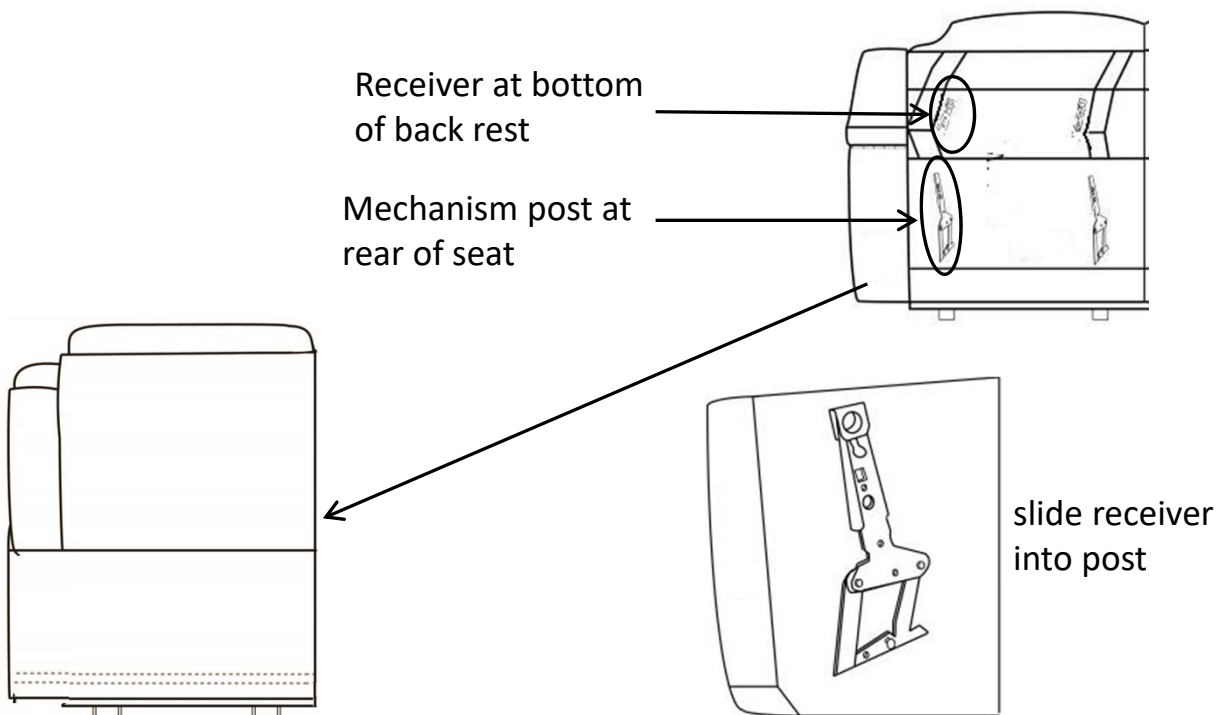
Step6: Take out 4 side legs, then use hexagon key to fasten the legs to the holes at bottom of the RHF chaise with bolts and washers.



Step7: Take out the support leg and then screw into the hole at rear of armless side of the RHF chaise.



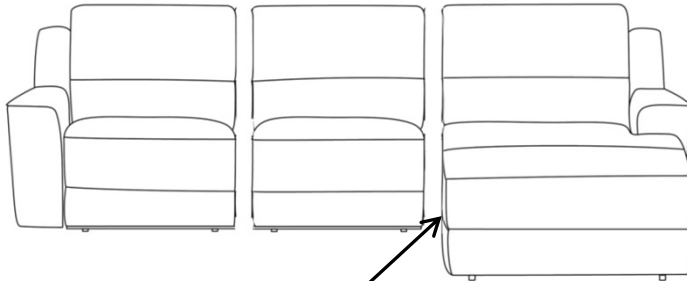
Step8: Slide back receivers into steel mechanism posts in the base of the RHF chaise, and then press both sides of the back firmly into place to ensure the back automatically locks in place.



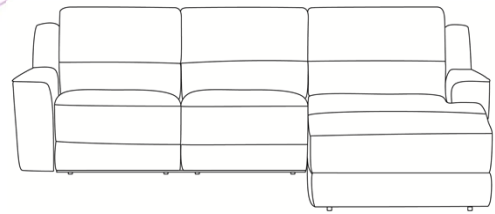
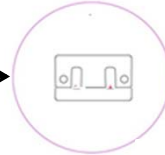
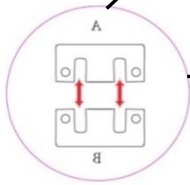
Step9: Connect 3 pieces of the suite from right to left. Begin with RHF chaise, then armless chair, then LHF recliner finally.

Left  
3rd PCS

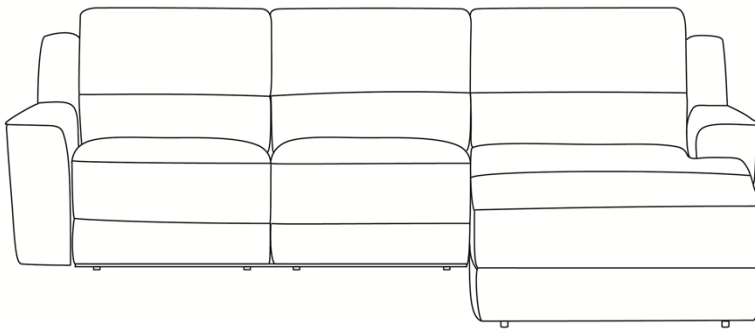
Right  
1st PCS



slide clips at connecting item into clips at connected item, then together press front and rear side of connecting item to ensure the clips go into each other to the bottom.



ASSEMBLY IS COMPLETE



## CARE AND MAINTENANCE

### FABRIC CARE

REGULAR CARE: PROTECT FROM DIRECT SUNLIGHT.  
VACUUM REGULARLY USING LOW SUCTION.  
ROTATE REVERSIBLE CUSHIONS REGULARLY.

#### CLEANING:

DO NOT REMOVE CUSHION COVERS FOR SEPARATE  
CLEANING EVEN THOUGH THEY HAVE ZIPPERS.

DO NOT WASH

DO NOT DRY CLEAN

DO NOT SHAMPOO CLEAN

CLEAN WITH HOT-WATER EXTRACTION MACHINE.

(HOT) PROFESSIONAL CLEANING RECOMMENDED

DO NOT USE DISHWASHING OR LAUNDRY

DETERGENTS

USE ONLY UPHOLSTERY DETERGENTS

DO NOT WET FILLING

DRY IN SHADE AWAY FROM DIRECT HEAT AND

SUNLIGHT

ALLOW TO DRY THOROUGHLY BEFORE RE-USE

#### SPOT CLEANING:

DO NOT RUB

DO NOT SPOT CLEAN WITH ANY SOLVENT.

TREAT SPILLS AND STAINS AS SOON AS POSSIBLE.

GENTLY SCRAPE ANY SOIL OR MOP ANY LIQUID  
FROM THE SURFACE OF THE FABRIC.

APPLY PROPRIETARY CLEANING AGENTS STRICTLY  
ACCORDING TO INSTRUCTIONS TO REMOVE THE  
RESIDUE OF THE SPILL.

DO NOT SATURATE THE FABRIC OR INTERIOR WITH  
WATER OR OTHER CLEANING LIQUIDS.

WARNING: APPLY ONLY WATER-BASED SOIL RESIST  
(FABRIC PROTECTION) TREATMENTS. DO NOT USE  
AEROSOL PRODUCTS.