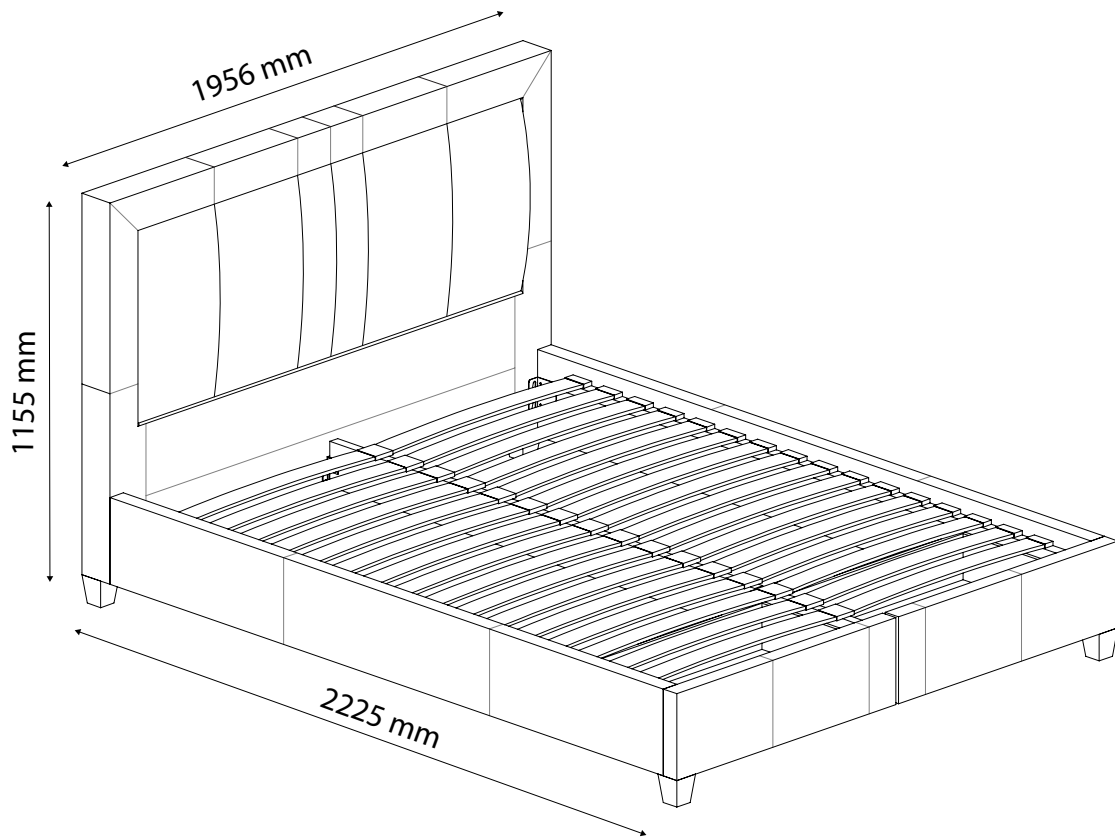




ASSEMBLY INSTRUCTION
RHEA KING BED
ITEM CODE 56700

Imported by Super Amart Pty Ltd, Qld, Brisbane Australia.
For any assistance with assembly or for missing parts please phone
Super Amart Ewing Road, Customer Service Free call 1800 351 084



Imported by Super Amart Pty Ltd, Qld, Brisbane Australia.
For any assistance with assembly or for missing parts please phone
Super Amart Ewing Road, Customer Service Free call 1800 351 084

PRE-ASSEMBLY PREPARATION

Before you start :

1. Choose a clean, level, spacious assembly area. Avoid hard surfaces that may damage the product.
2. Take care when lifting. Product should be assembled as near as possible to the point of use.
3. Ensure that you have all required contents for complete assembly.
4. Always read the assembly instructions carefully before beginning assembly.
5. Keep all hardware parts and packaging out of reach of small children.
6. Do not over tighten the screws and bolts as this may damage the threads.



ALLOW 25 MINUTES

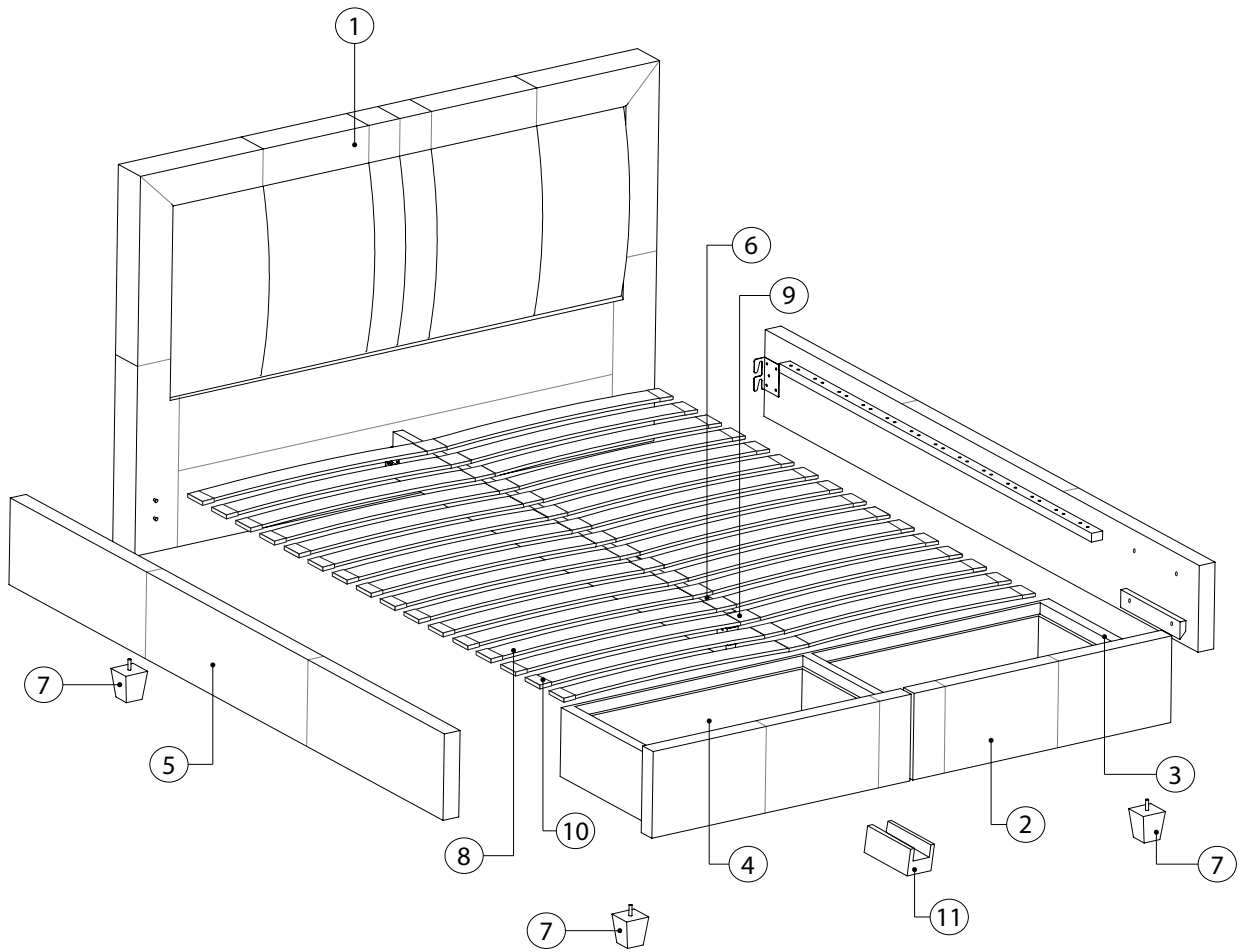


2 PEOPLE REQUIRED



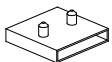
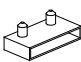



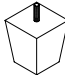
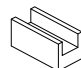

ADDITIONAL TOOL REQUIRED

PARTS LIST



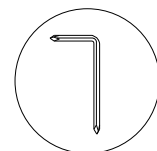
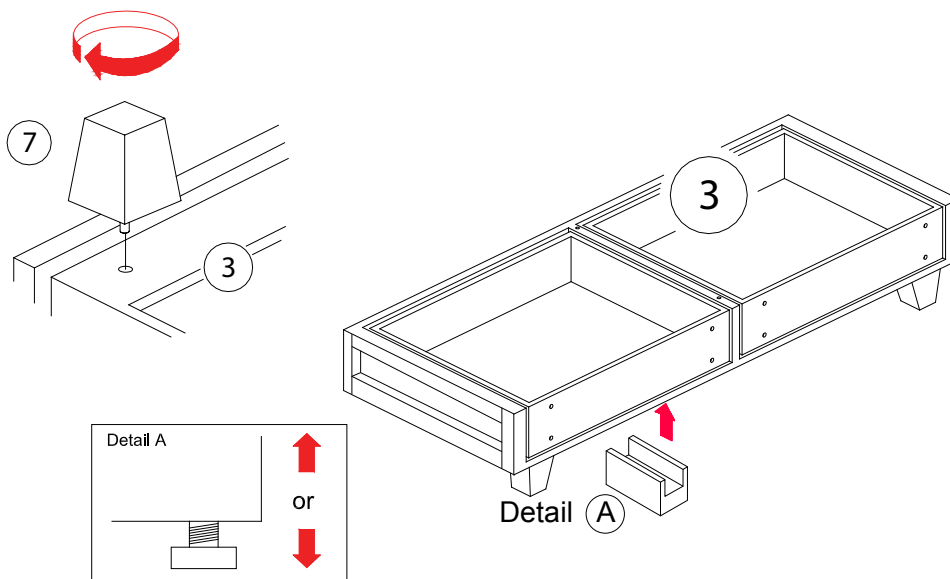
1	HEADBOARD
2	DRAWER PANEL
3	DRAWER FRAME
4	DRAWER CASE
5	SIDE RAIL
6	CENTER RAIL

7	WOOD LEGS
8	SLATS (905mm x 62mm x 9~10mm)
9	CENTER CAP
10	END CAP
11	DRAWER SUPPORT LEG

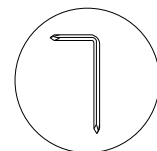
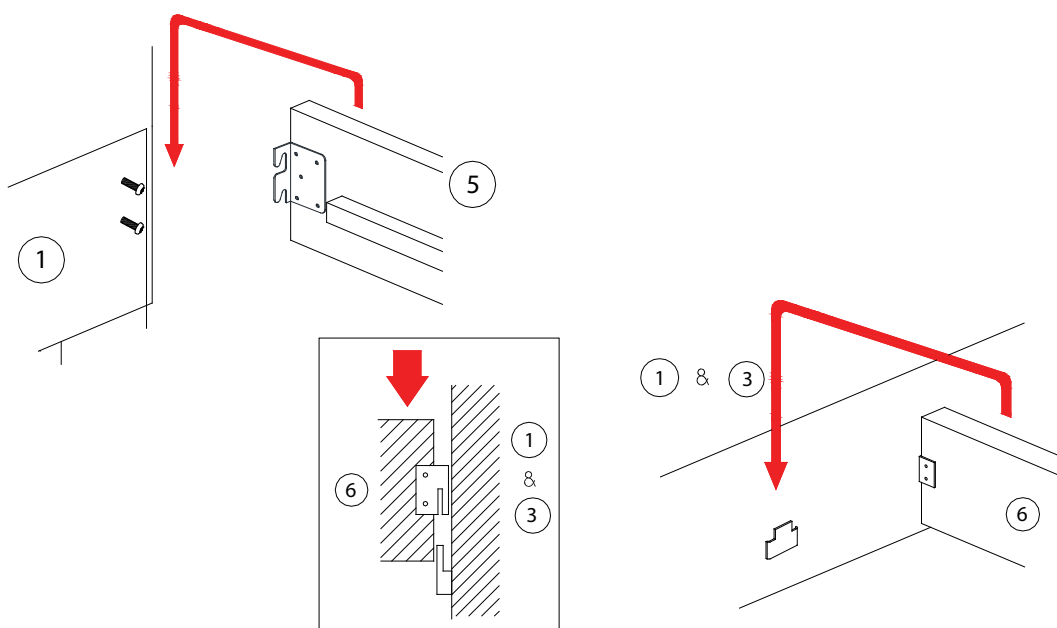
A. Center Cap ~ 16nos. 	B. End Cap ~ 32nos. 	C. M8 x 30mm ~ 4nos.  (Pre-assembled)	D. M6 x 60mm ~ 4nos. 
E. M6 x 30mm ~ 8nos. 	F. Wood Leg ~ 4nos. 	G. Drawer Support Leg ~ 1no. 	H. L-Shape Screwdriver 

Note: Quantity in Different Size			
	Slat	C. Cap	E. Cap
Queen	32	16	32
King	32	16	32

Step 1 : Ensure all feet are tighten before you continue to the next step.
 Detail (A) slot in support leg to middle of the Drawer Frame.

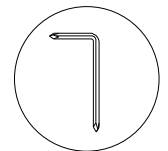
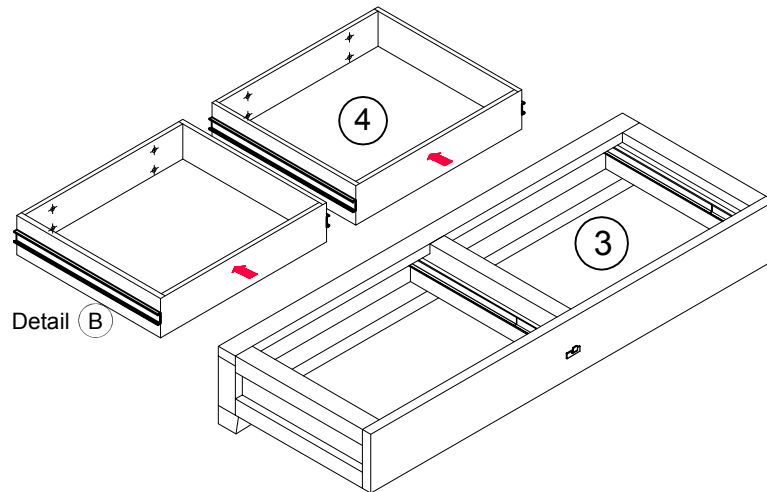
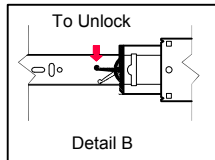


Step 2 : Hook Side Rail bracket (5) over bolts on the headboard (1) and screw bolts in with the screwdriver. Hook the Center Rail into the Headboard (1) and Drawer Frame (3). Do not tighten any bolts until all components (Part A, B, C & D) are in place.

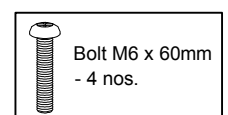
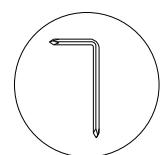
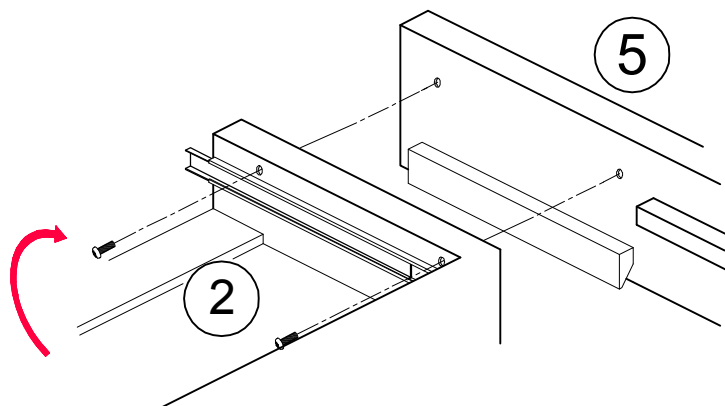


Step 3 :

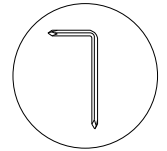
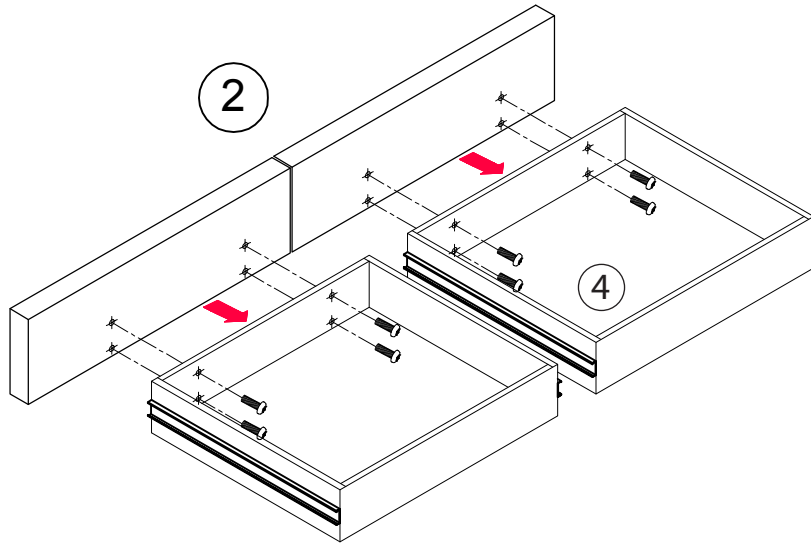
Step 3.1 : Pull out the drawer before assembling Drawer Frame (4) to Side Rail (3)

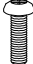


Step 3.2 : Hook Side Rail (5) to Drawer Frame (2) . Insert the bolts from Drawer Case inner thru to the Side Rail and tighten fully.

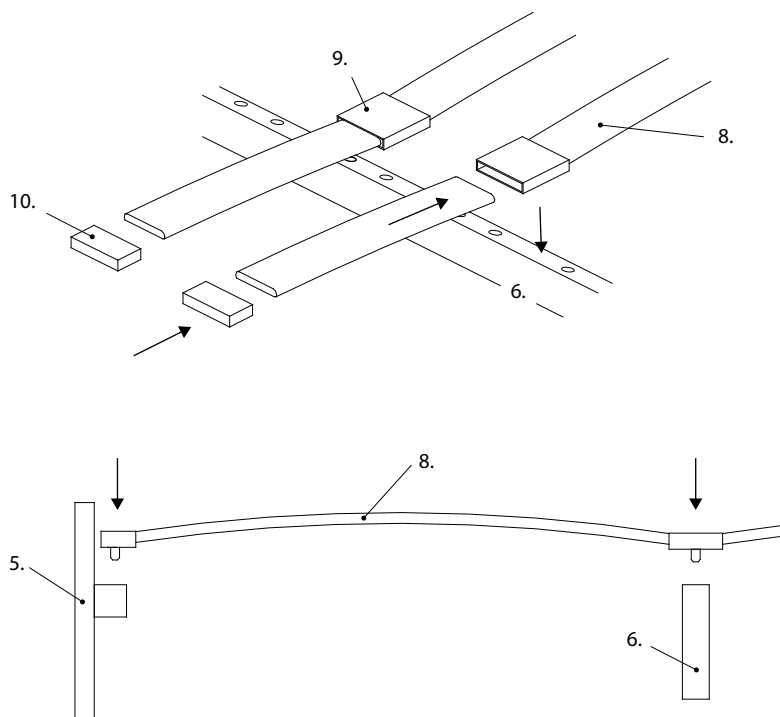


Step 3.3 : Secure the panels to Drawer Case (2) and screw the bolts tightly with a screwdriver.

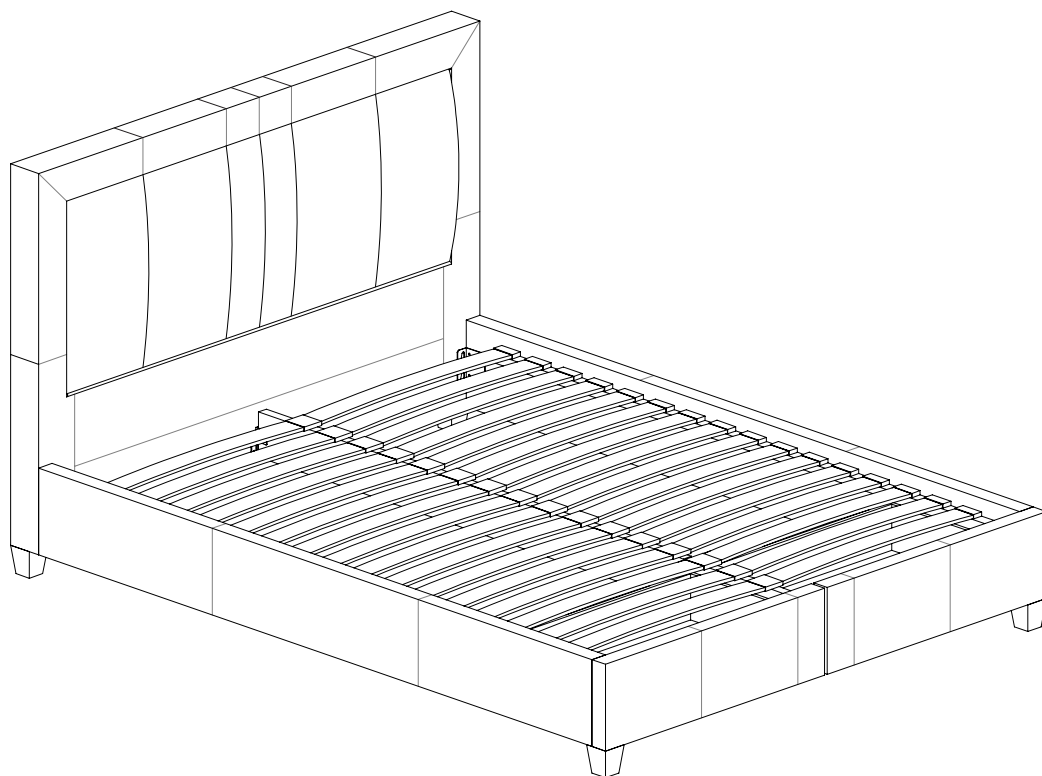


 Bolt M6 x 30mm
- 8 nos.

Step 4 : Assemble the slats (8) as shown, insert the center cap (9) into the slat ensuring the position of the slat arch faces upwards. Push the center cap (9) and slat into the the Center Rail. Now push the end cap (10) into the slat (8) and push this into Side Rails (5).



ASSEMBLY IS COMPLETED



CARE AND MAINTENANCE



Product Name: RHEA KING BED

Item Code: 56700

PRODUCT CARE:

AVOID PLACING THE FAUX LEATHER PRODUCT NEAR DIRECT AND INDIRECT SUNLIGHT OR HEAT RESOURCES AS THEY FADE AND DAMAGE THE FAUX LEATHER.

FREQUENT VACUUMING OR LIGHT BRUSHING TO REMOVE DUST AND GRIME IS RECOMMENDED.

CLEANING METHOD:

USE RECOMMENDED CARE PRODUCTS DESIGNED FOR YOUR FAUX LEATHER. USE CARE PRODUCTS STRICTLY IN ACCORDANCE WITH THE MANUFACTURER'S INSTRUCTIONS.

USE A PROTECTION CREAM TO GUARD THE FAUX LEATHER FROM STAINS AND HELP MAINTAIN ITS SUPPLENESS.

DIRT AND GRIME CAN ACT AS ABRASIVES ON THE FAUX LEATHER. VACUUM REGULARLY WITH A SOFT UPHOLSTERY ATTACHMENT OR WIPE OVER THE FAUX LEATHER WITH A SOFT, CLEAN DYEFAST CLOTH.

CAREFULLY BLOT LIQUIDS IMMEDIATELY TO REMOVE AS MUCH AS POSSIBLE. DO NOT RUB EXCESSIVELY OR TOO HARD.

CAUTION:

DO NOT USE DETERGENTS, SOLVENTS, ABRASIVES OR RECOMMENDED LEATHER CLEANERS FOR LEATHER SHOES OR HANDBAGS. SUCH CARE PRODUCTS CAN DAMAGE THE FAUX LEATHER.

FOOD OILS AND INK CAN PERMANENTLY BOND WITH THE FAUX LEATHER UNLESS CLEANED IMMEDIATELY.

SPOT CLEANING:

TREAT SPILLS AND STAINS AS SOON AS THEY OCCUR. CLEAN AS ABOVE. PERSISTENT STAINS MAY REQUIRE TREATMENT BY A PROFESSIONAL.

Made In **MALAYSIA**

Imported By:

Super Amart Pty Ltd

Brisbane, Qld, Australia

Item Code: **56700**

Product Name: **RHEA KING BED**