



ASSEMBLY INSTRUCTION

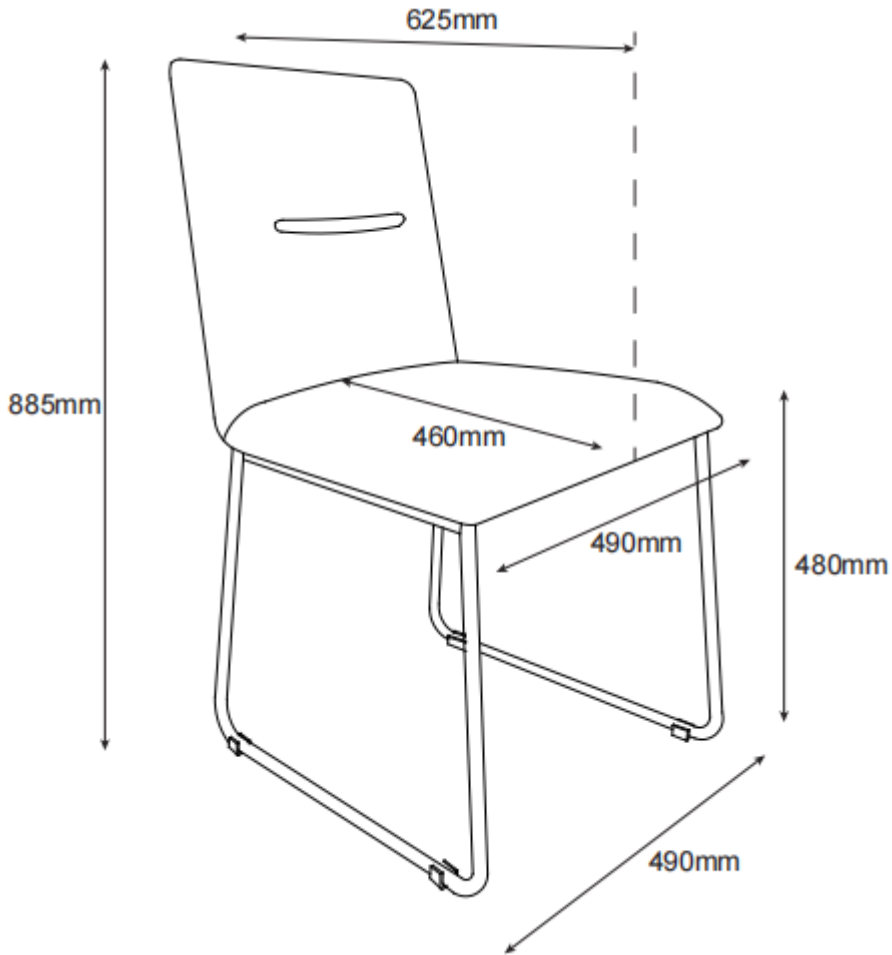
Aruba Dining Chair

ITEM CODE 74493

Imported by Amart Furniture Pty Ltd, Brisbane Qld, Australia.

For any assistance with assembly or for missing parts please phone

Amart Furniture, Customer Service Free call 1800 351 084





Imported by Amart Furniture Pty Ltd, Brisbane Qld, Australia.

For any assistance with assembly or for missing parts please phone  
Amart Furniture, Customer Service Free call 1800 351 084

## PRE-ASSEMBLY PREPARATION

### Before you start:

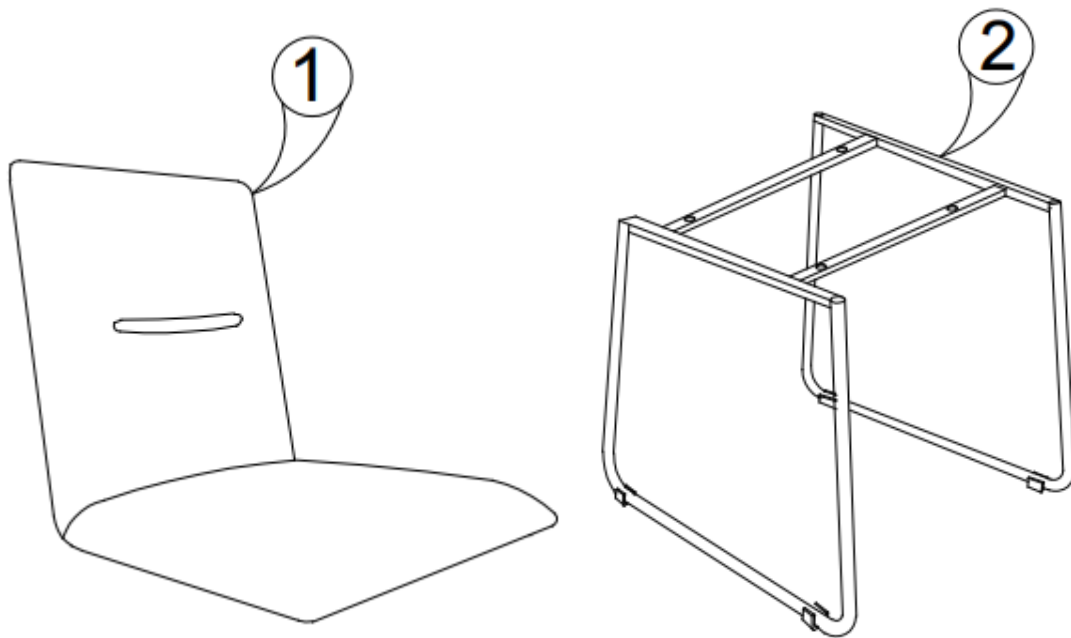
1. Choose a clean, level, spacious assembly area. Avoid hard surfaces that may damage the product
2. Take care when lifting. Product should be assembled as near as possible to the point of use
3. Ensure that you have all required contents for complete assembly
4. Always read the assembly instructions carefully before beginning assembly.
5. Keep all hardware parts and packaging out of reach of small children.
6. Do not over tighten the screws and bolts as this may damage the threads

	
Allow 15 min	For 1 person

# PARTS LIST

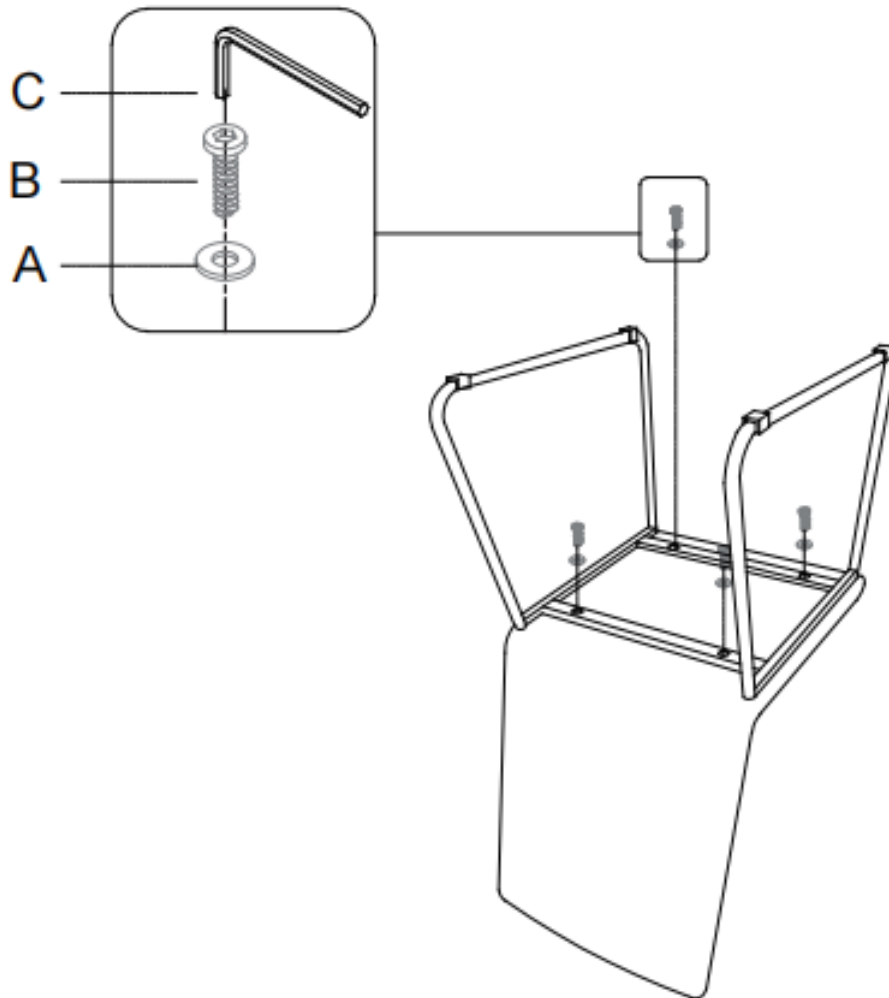
<b>A</b>	 x4 Ø6*Ø16*1.2mm	<b>B</b>	 x4 M6*35mm	<b>C</b>	 x1 #5
----------	--	----------	---	----------	--

1	chair seat x 1
2	chair Leg x 1



## STEP 1:

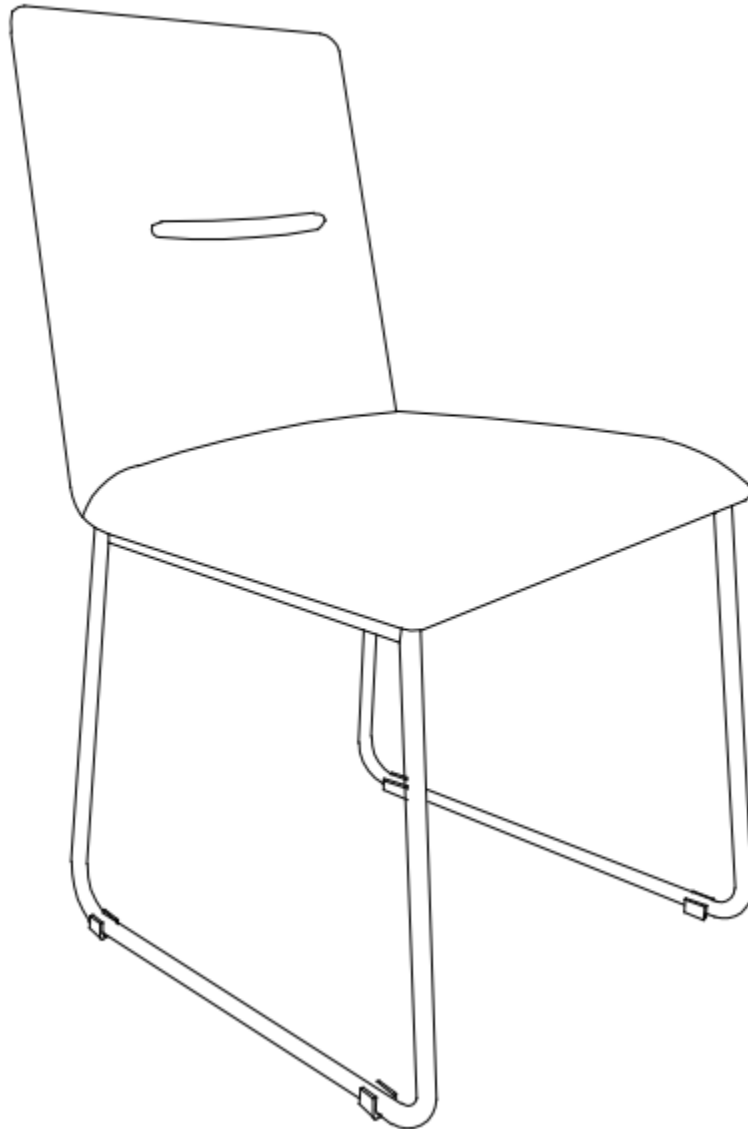
- Attach leg ② to the seat ① with bolt B and flat washer A using Allen Key C. Do not tighten completely at this stage.



## STEP 2:

- Stand the chair upright. Place it on a level surface. Adjust the legs until the chair is level. Tighten all the bolts firmly to secure the legs.

ASSEMBLY IS COMPLETE



**CHAIRS AND STOOLS**

• **Do not:**

- Use chair/stool as a ladder
- Climb on the chair/stool
- Stand on the foot-rest of the chair, as this could lead to the stool becoming unbalanced and overturning

## PRODUCT CARE:

To protect your furniture, we suggest the following:

- Avoid placing your furniture in direct sunlight.
- Do not place furniture directly under windows.
- Do not place sharp materials (knife, fork, etc.) directly onto your furniture as sharp material may scrape and damage the finish.
- Do not place material with high temperature directly onto the surface of your furniture.
- Clean up spills quickly. Water left over a prolonged period of time may cause damage. Alcohol, perfume, nail polishes, aftershave and some medication may cause severe finish damage if not cleaned immediately.
- Use a clean, soft, dry, lint free absorbent cloth to clean your furniture. Do not use any detergent as they may contain ingredients that may react and damage the finish.