

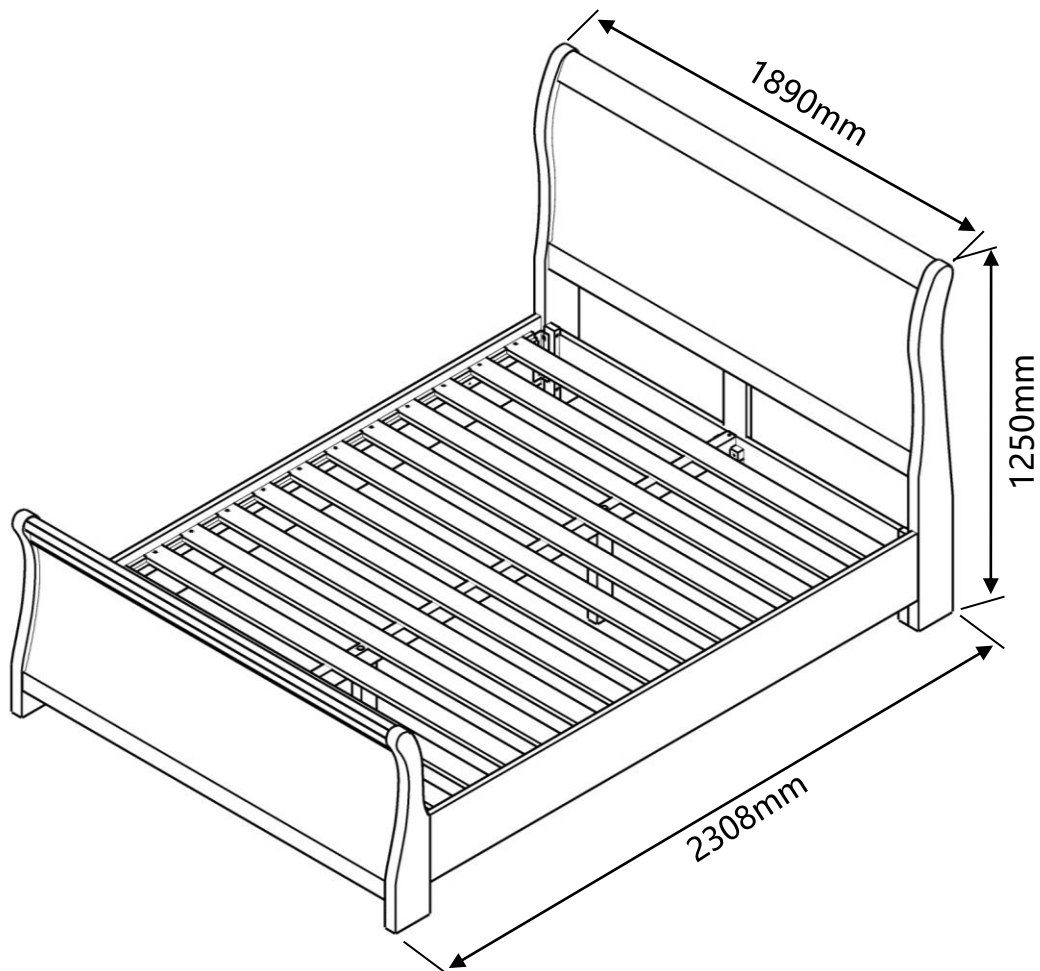


ASSEMBLY INSTRUCTION

WHARF KING BED

ITEM CODE 73906

Imported by Amart Furniture Pty Ltd, Qld, Brisbane Australia.  
For any assistance with assembly or for missing parts please  
phone Amart Furniture, Customer Service Free call 1800 351  
084



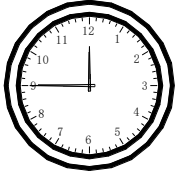

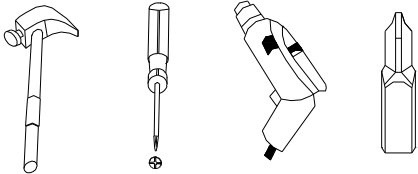
Imported by Amart Furniture Pty Ltd, Brisbane, Qld, Australia.



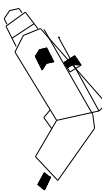
For any assistance with assembly or for missing parts please phone  
Amart Furniture, Customer Service Free call 1800 351 084

## PRE-ASSEMBLY PREPARATION

### Before you start:

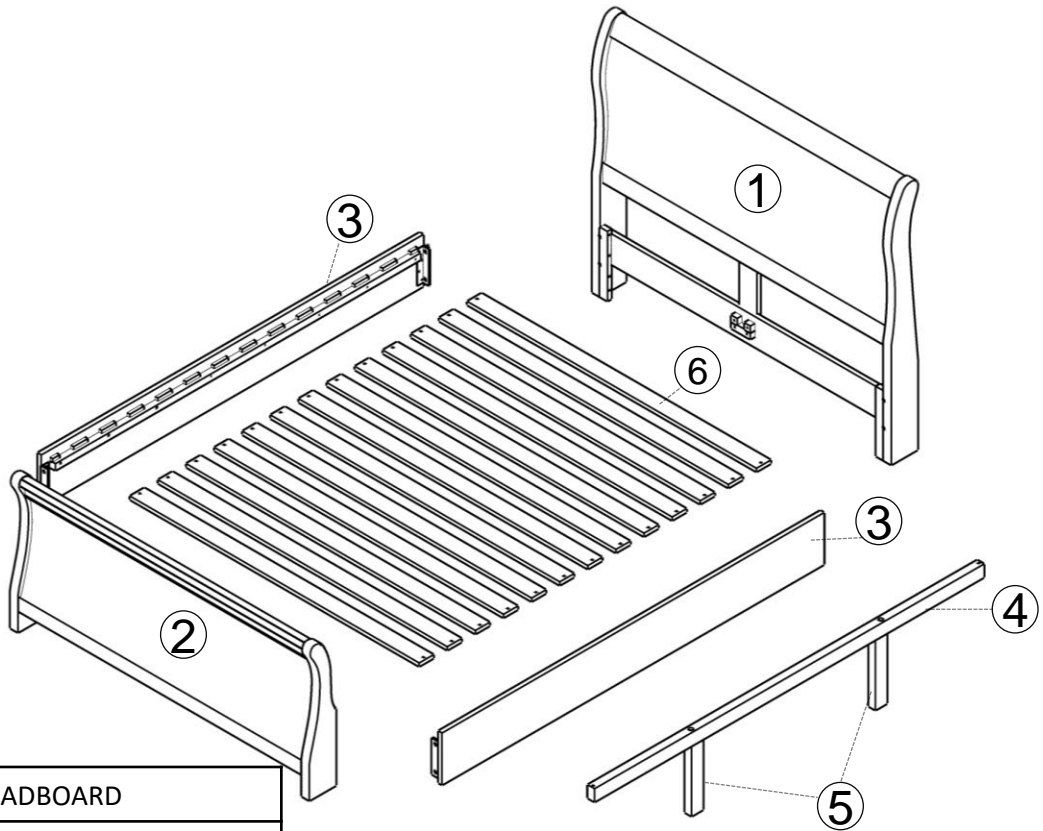
1. Choose a clean, level, spacious assembly area. Avoid hard surfaces that may damage the product
2. Take care when lifting. Product should be assembled as near as possible to the point of use
3. Ensure that you have all required contents for complete assembly
4. Always read the assembly instructions carefully before beginning assembly.
5. Keep all hardware parts and packaging out of reach of small children.
6. Do not over tighten the screws and bolts as this may damage the threads

	
ALLOW 45 MINUTES	2 PEOPLE REQUIRED
	
TOOLS REQUIRED	

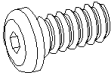
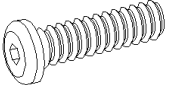
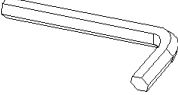
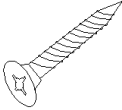
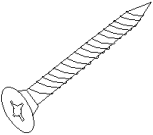
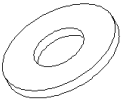



We recommend using a screwdriver to put this item together. However if you choose to use a power drill it must be used on **LOW SPEED (LOW TORQUE)** as too much pressure could damage the product

# PARTS LIST



1	HEADBOARD
2	FOOTBOARD
3	SIDERAIL
4	CENTRE RAIL
5	SUPPORT LEGS
6	SLATS (1838mm*88mm)

<p>A. BOLT 5/16"X32MM</p>  <p>8PCS</p>	<p>B. BOLT 5/16"X60MM</p>  <p>2PCS</p>	<p>C. ALLEN KEY</p>  <p>1PCS</p>	<p>D. SCREW 4X30MM</p>  <p>26PCS</p>
<p>E. SCREW 4X40MM</p>  <p>2PCS</p>	<p>F. FLAT WASHER</p>  <p>10PCS</p>	<p>G. LOCK WASHER</p>  <p>8PCS</p>	

## ITEMS REQUIRED

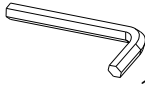
# 1

C. ALLEN KEY

A. BOLT 5/16"X32MM

G. LOCK WASHER

F. FLAT WASHER



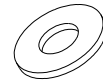
1PCS



8PCS

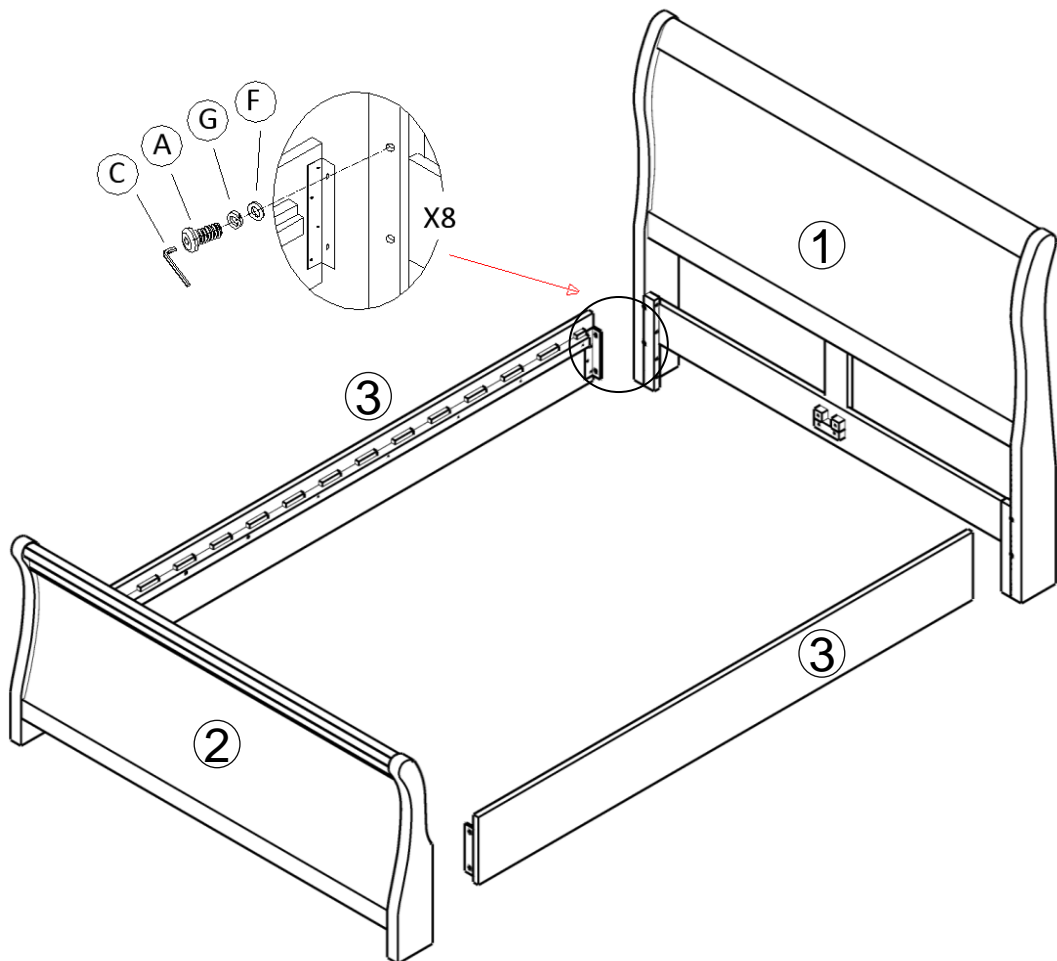


8PCS



8PCS

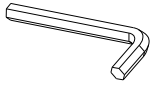
- Attach side rail ( 3 ) to headboard (1) and footboard (2) using flat washer (f), lock washer (g) and bolts (a).
- Tighten with Allen Key (c).



## ITEMS REQUIRED

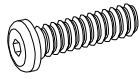
# 2

C. ALLEN KEY



1PCS

B. BOLT 5/16"X60MM



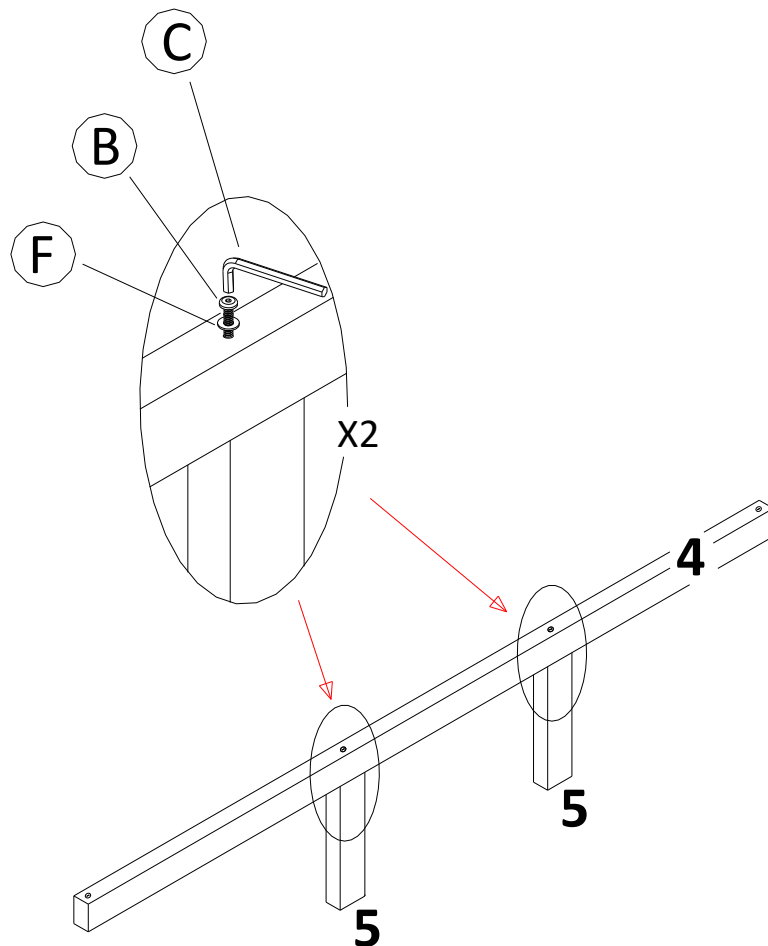
2PCS

F. FLAT WASHER



2PCS

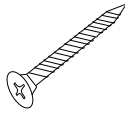
- Attach support legs (5) to centre rail (4) with flat washer (f) and bolts (b)
- Tighten with allen key (c)



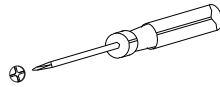
## ITEMS REQUIRED

# 3

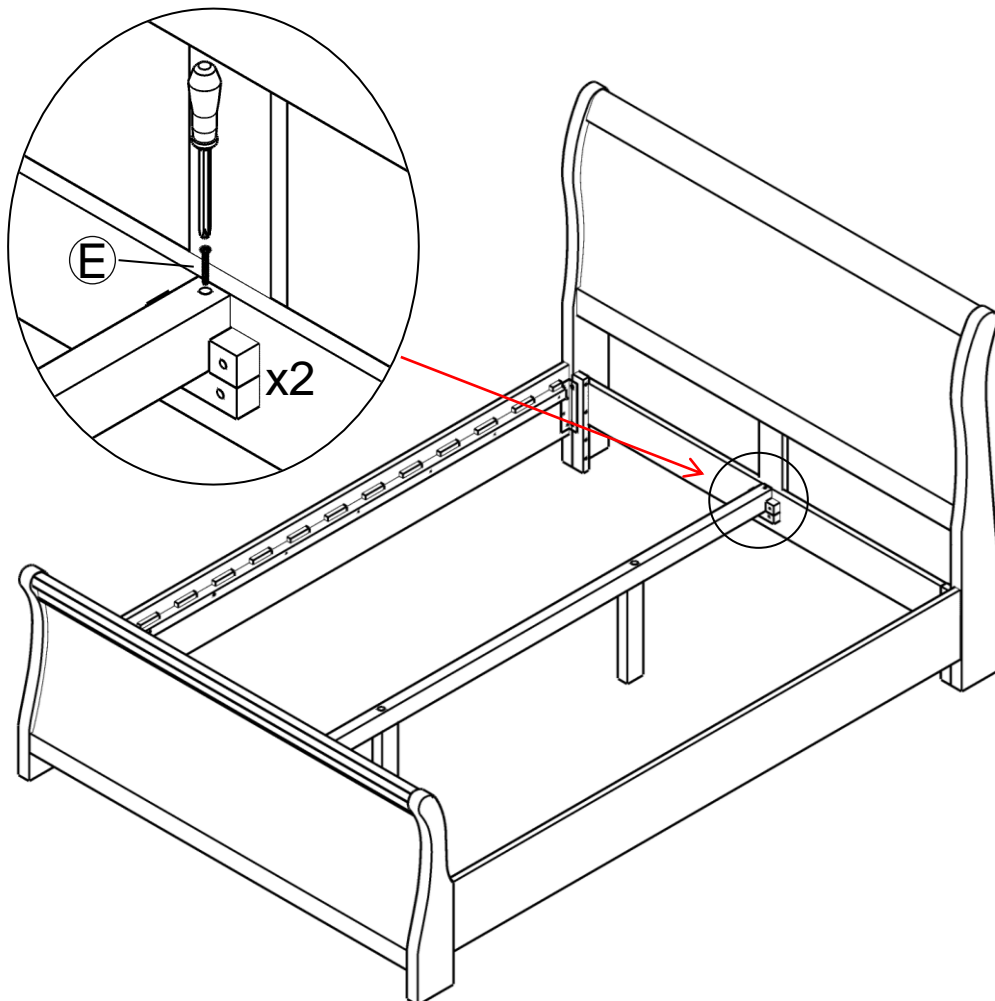
E. SCREW 4X40MM



2PCS



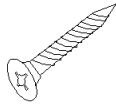
- Attach centre rail (4) to head board (1) and foot board (2) using screw (e).
- Use Screwdriver or Power Drill on Low Speed.



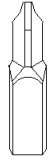
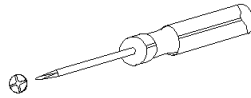
## ITEMS REQUIRED

# 4

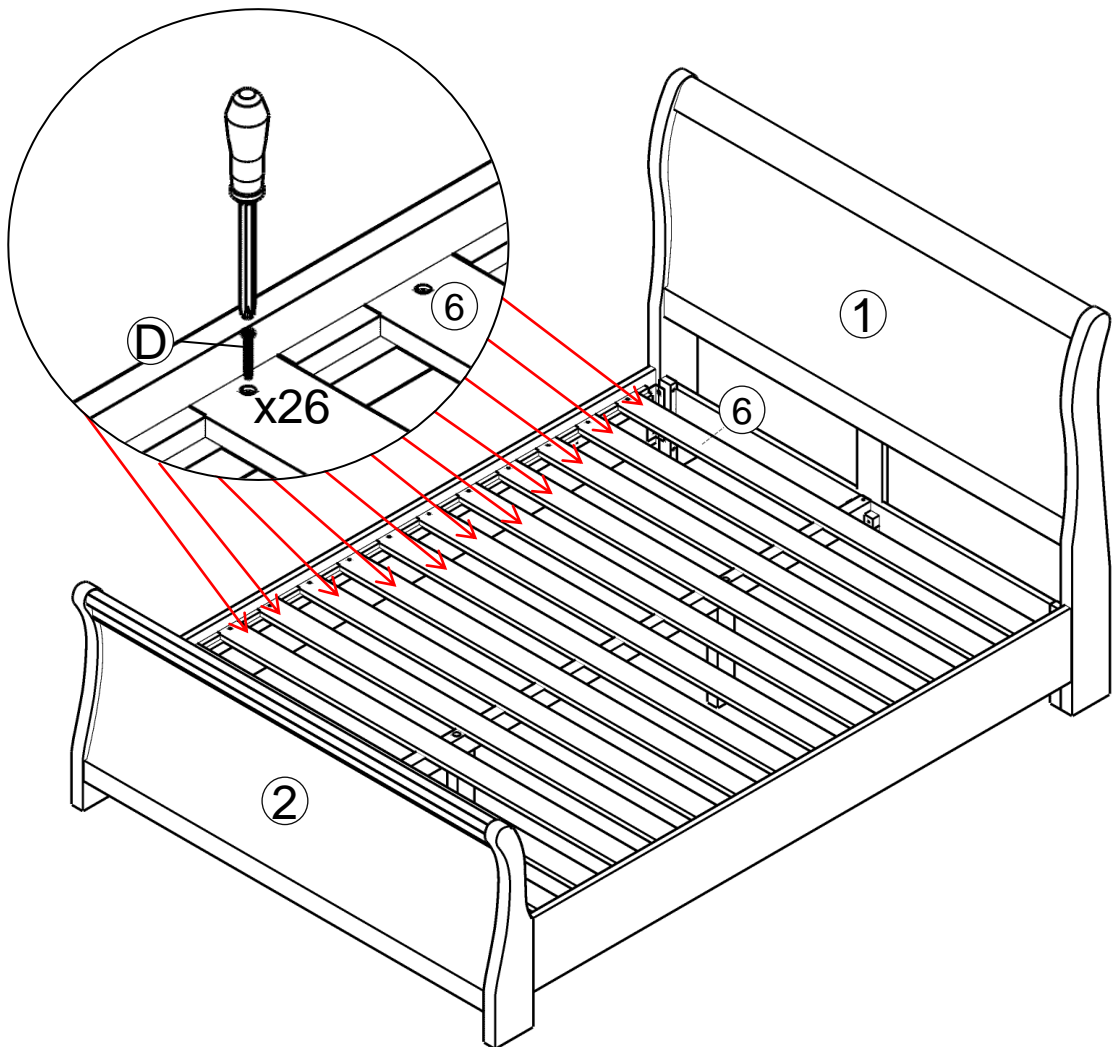
D. SCREW 4X30MM



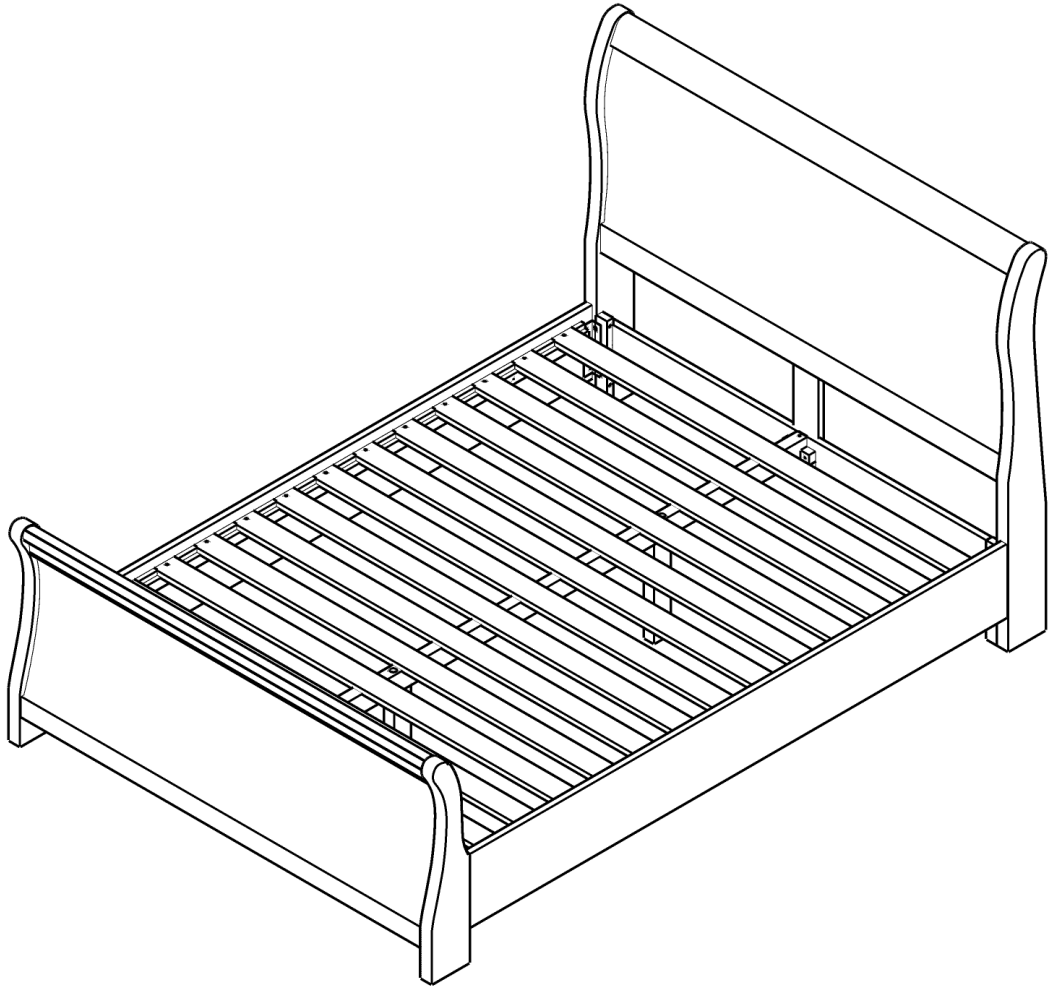
26PCS



- Attach slats (6) to siderail (3) using screws (d).
- Use Screwdriver or Power Drill on Low Speed.



**ASSEMBLY IS COMPLETE**



**CAUTION:**

**ALWAYS LIFT YOUR BED WHEN MOVING/RELOCATING – DO NOT DRAG.  
DRAGGING CAN CAUSE THE CENTRE SUPPORT LEGS TO BEND/BREAK.**



## Care and maintenance



- A multi-step finish is applied to all our furniture, but all wood comes from nature. Because of this, there will be natural variations in surface texture and grain like knots, mineral streaks and sap runs that may affect the finish. These differences in character are not defects, but distinctions that make each piece of furniture unique.
- Our furniture is built to last. Following these steps for basic care should protect your investment for years to come.
- Dust frequently with a clean damp lint-free cloth. This will help remove abrasive build up which can damage a finish over time.
- Do not place hot objects on any furniture surface. Always use a hot plate or placemat. Laminate and lacquer finishes on table tops provide added scratch and heat resistance to our furniture, but they can still be damaged without proper care.
- Avoid exposing your furniture to strong sunlight, heat outlet, open windows or dampness. Prolonged exposure to direct sunlight can fade the finish of your furniture, while extreme temperature and humidity changes can cause cracking or splitting.
- Do not expose your furniture to any liquids. Never allow water to sit on your furniture. Alcohol, nail polish and perfume are also dangerous as they will dissolve the lacquer finish on contact and may require professional repairs.
- Do not allow plastic to come in direct contact with your furniture. Chemicals in the plastic of placemats etc may soften and mark the finish if left in contact with the furniture for a period of time.