

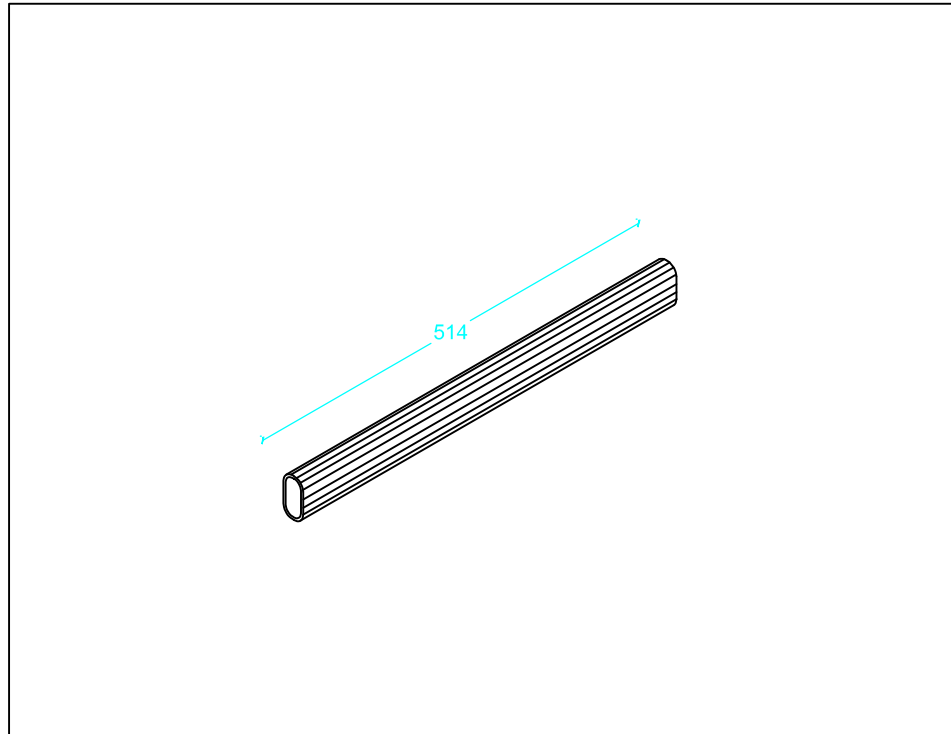


## ASSEMBLY INSTRUCTION

Spacemaster Babylon Short Hanging Rail  
ITEM CODE 54913

Imported by Super Amart Pty Ltd, Qld, Brisbane Australia.

For any assistance with assembly or for missing parts please phone  
Super Amart Ewing Road, Customer Service Free call 1800 351 084



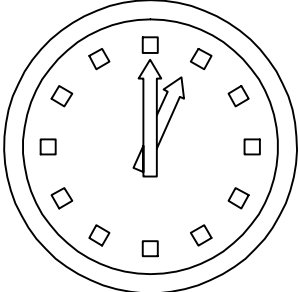
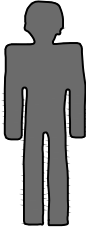
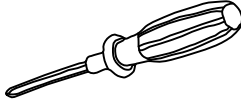
Imported by Super Amart Pty Ltd, Qld, Brisbane Australia.




For any assistance with assembly or for missing parts please phone  
Super Amart Ewing Road, Customer Service Free call 1800 351 084

## PRE-ASSEMBLY PREPARATION

Before you start:

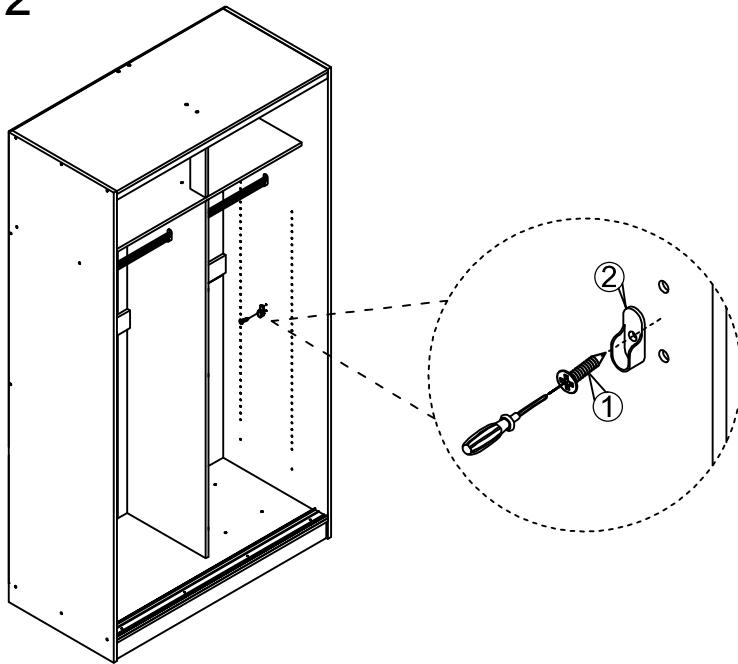
1. Choose a clean, level, spacious assembly area. Avoid hard surfaces that may damage the product.
2. Take care when lifting. Product should be assembled as near as possible to the point of use.
3. Ensure that you have all required contents for complete assembly.
4. Always read the assembly instructions carefully before beginning assembly.
5. Keep all hardware parts and packaging out of reach of small children.
6. Do not over tighten the screws and bolts as this may damage the threads.

 <p><b>5min</b></p>	 <p><b>1 People Required</b></p>
 <p><b>ADDITIONAL TOOLS REQUIRED</b></p>	

Screw	Hanger rod holder	Hanger				
①	②	③				
						
2 PCS	2 PCS	1 PC				
3.5 x 14 mm	40*20*13mm	514x 15 x 28 mm				

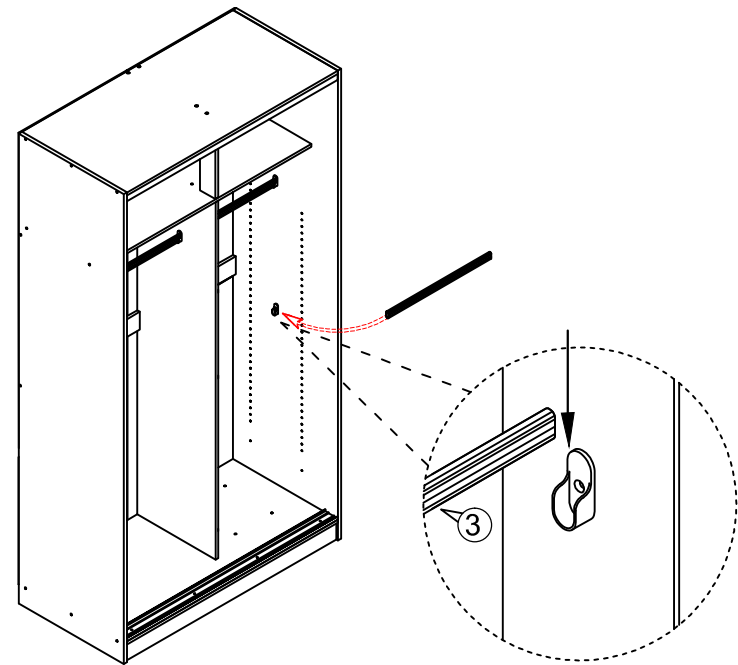
Step1: Fix hanger rod holders ② to robe vertical panel by screw ① .

① x 2  
② x 2



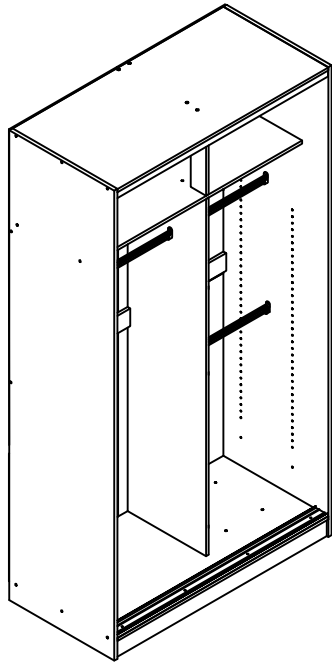
Step2: Insert hanger rod ③ into the holder.

③ x 1



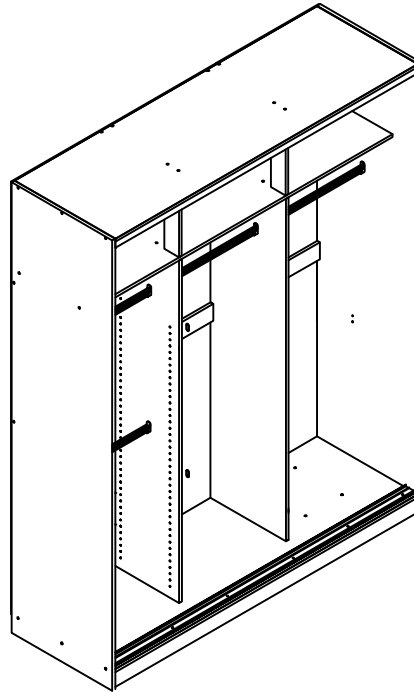
Spacemaster Babylon Medium Robe Frame

ASSEMBLY IS COMPLETE



Spacemaster Babylon Large Robe Frame

ASSEMBLY IS COMPLETE



Spacemaster Babylon Extra Large Robe Frame

ASSEMBLY IS COMPLETE

