

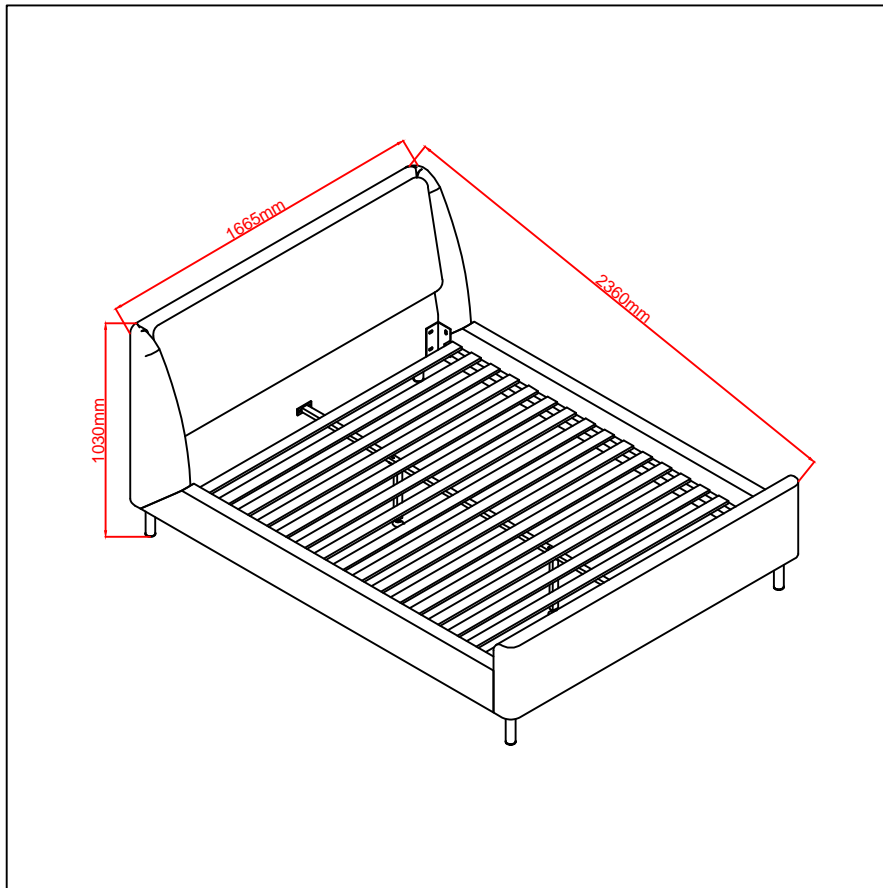


ASSEMBLY INSTRUCTION

BILLIE QUEEN BED

ITEM CODE 72024

Imported by Amart Furniture Pty Ltd, Qld, Brisbane Australia.
For any assistance with assembly or for missing parts please phone
Amart furniture, Customer Service Free call 1800 351 084

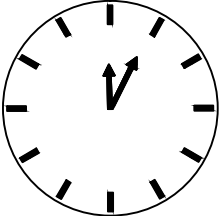
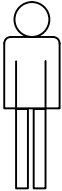



Imported by Amart Furniture Pty Ltd, Qld, Brisbane Australia.
For any assistance with assembly or for missing parts please
phone Amart Furniture, Customer Service Free Call
1800 351 084

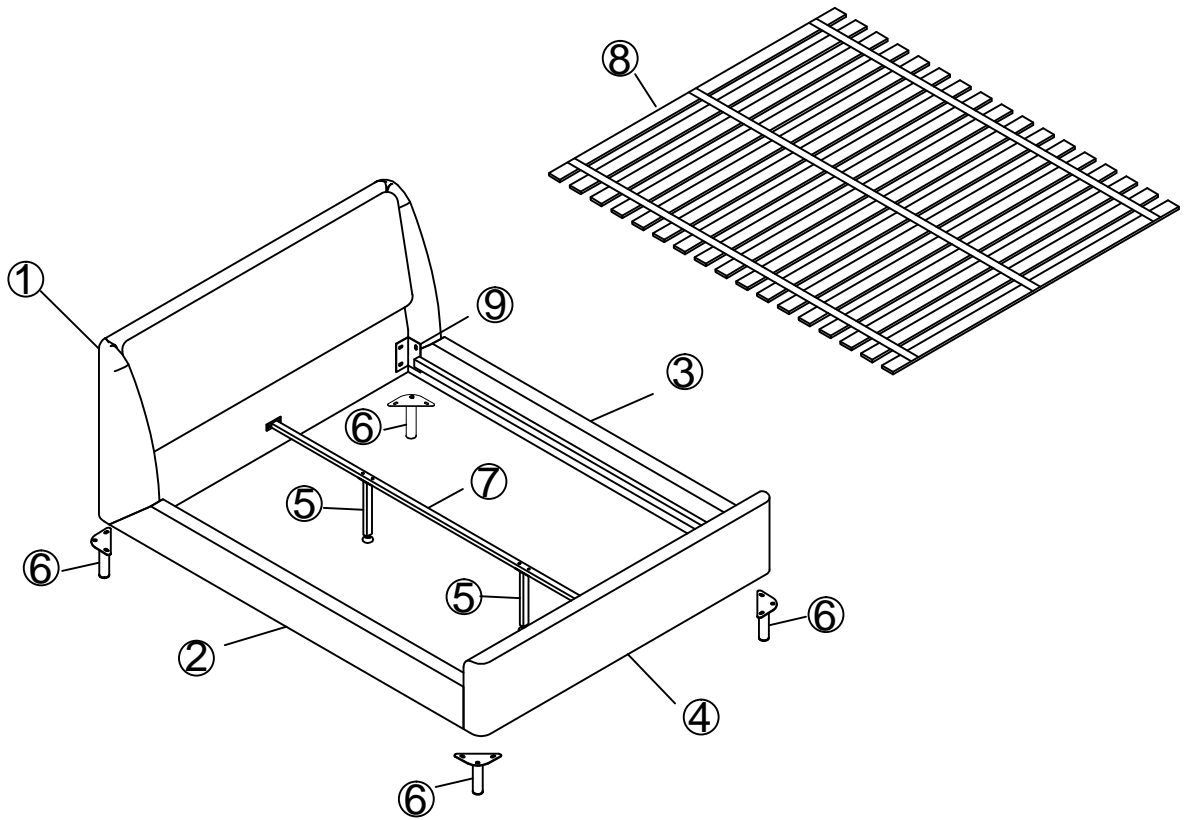
PRE-ASSEMBLY PREPARATION

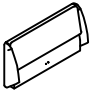
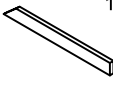


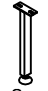

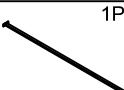


Before you start:









1. Choose a clean, level, spacious assembly area. Avoid hard surfaces that may damage the product
2. Take care when lifting. Product should be assembled as near as possible to the point of use
3. Ensure that you have all required contents for complete assembly
4. Always read the assembly instructions carefully before beginning assembly
5. Keep all hardware parts and packaging out of small children
6. Do not over tighten the screws and bolts as this may damage the threads

		
ALLOW 30 MINUTES	2 PEOPLE REQUIRED	ADDITIONAL TOOLS REQUIRED

PARTS LIST

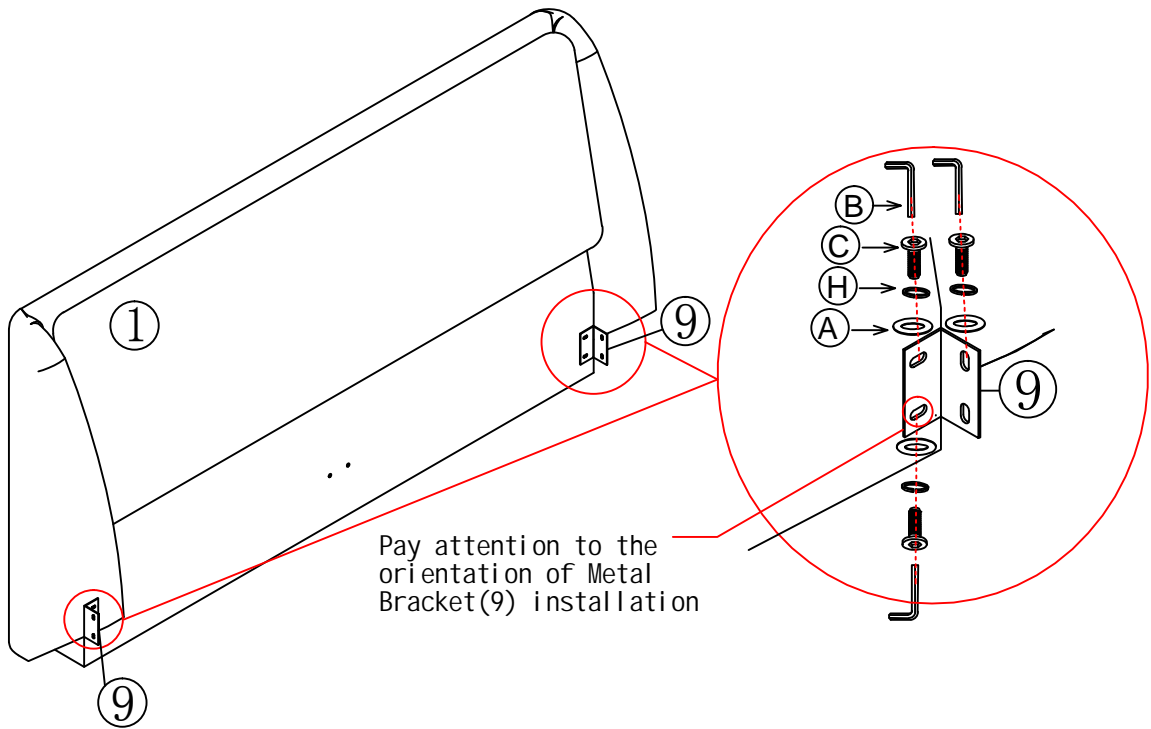


①  1PCS Headboard	②  1PCS Left Side Rail	③  1PCS Right Side Rail	④  1PCS Footboard	⑤  2PCS Centre Support leg	⑥  4PCS leg
⑦  1PCS Centre slat rail	⑧  1PCS Slat	⑨  4PCS Metal Bracket			

Ⓐ M8X19mm x32pcs  Flat washer	Ⓑ M5X100mm x1pcs  Allen key	Ⓒ M8X35mm x24pcs  Bolt	Ⓓ M4X30mm x10pcs  Screw	Ⓔ M8X20mm x8pcs  Bolt
Ⓕ M8X12mm x4pcs  Nut	Ⓖ M12mm x1pcs  Wench	Ⓗ M8 x24pcs  Spring Washer		

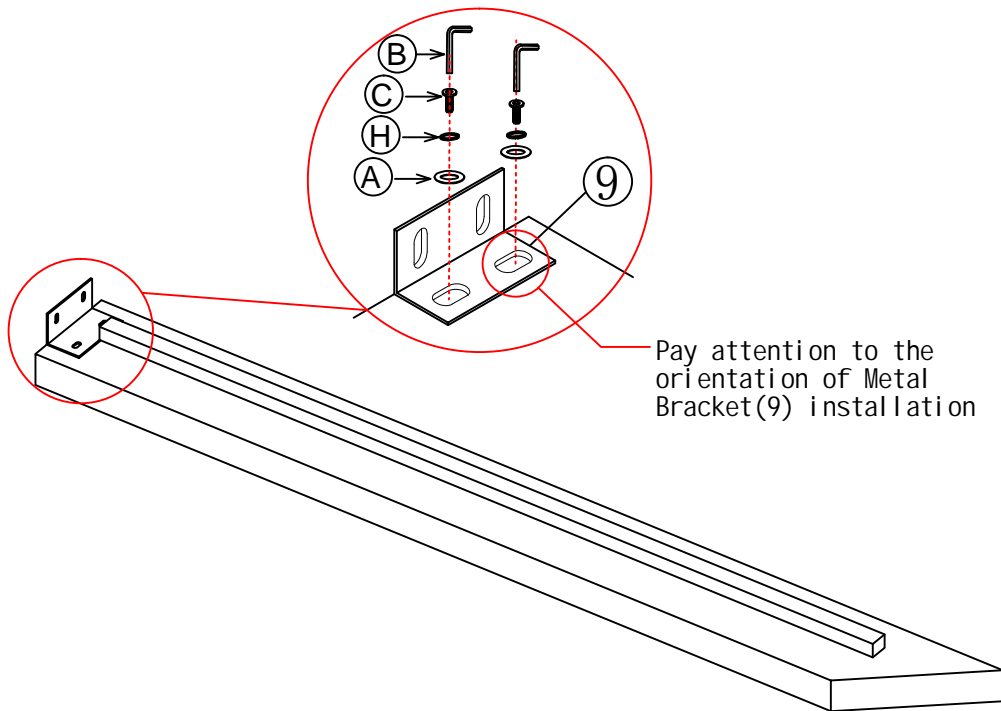
STEP 1

Attach Metal bracket(9) to Headboard(1), using spring washer(H) flat washer(A), and bolt(C) as shown below, then tighten with allen key(B).



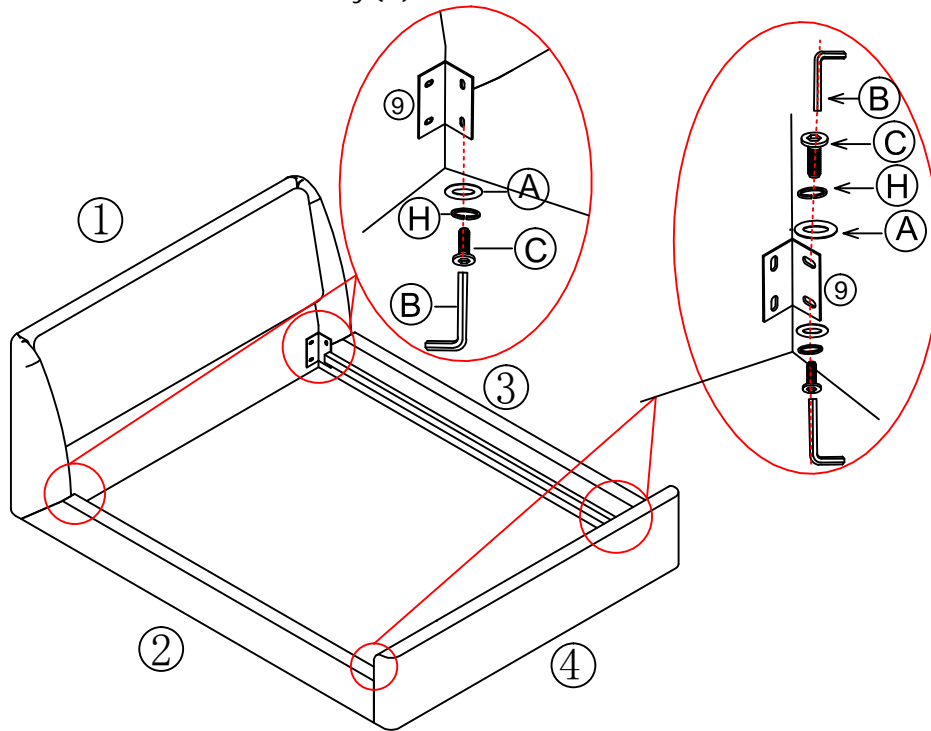
STEP 2

Attach Metal bracket(9) to Foot end of Side rails, using spring washer(H) flat washer(A), and bolt(C) as shown below, then tighten with allen key(B).



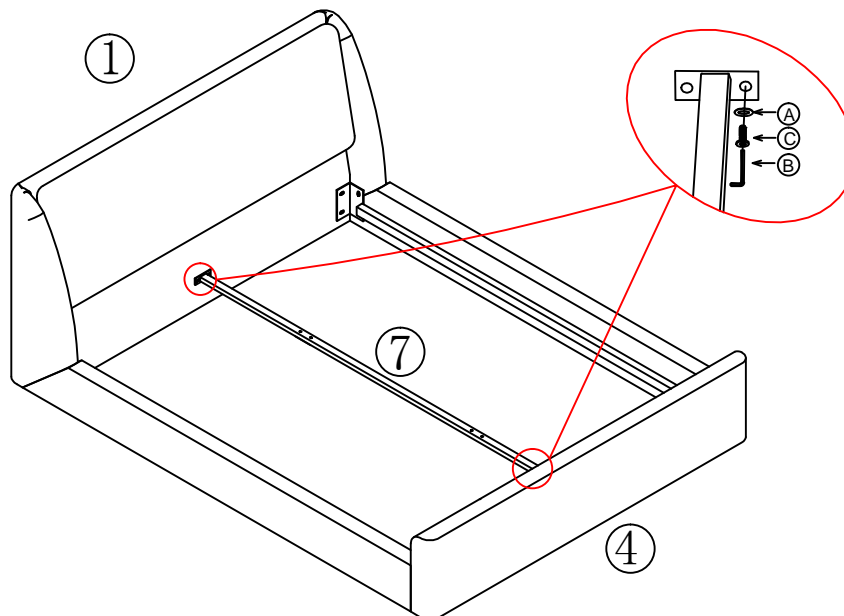
STEP 3

Attach Rails(2, 3)to Metal bracket on Headboard(1), using spring washer(H)Flat washer(A), and bolt(C)as shown below, then tighten with allen key(B). Then attach bracket on Rails(2, 3)to Footboard(4), using spring washer(H)flat washer(A), and bolt(C)as shown below, then tighten with allen key(B).



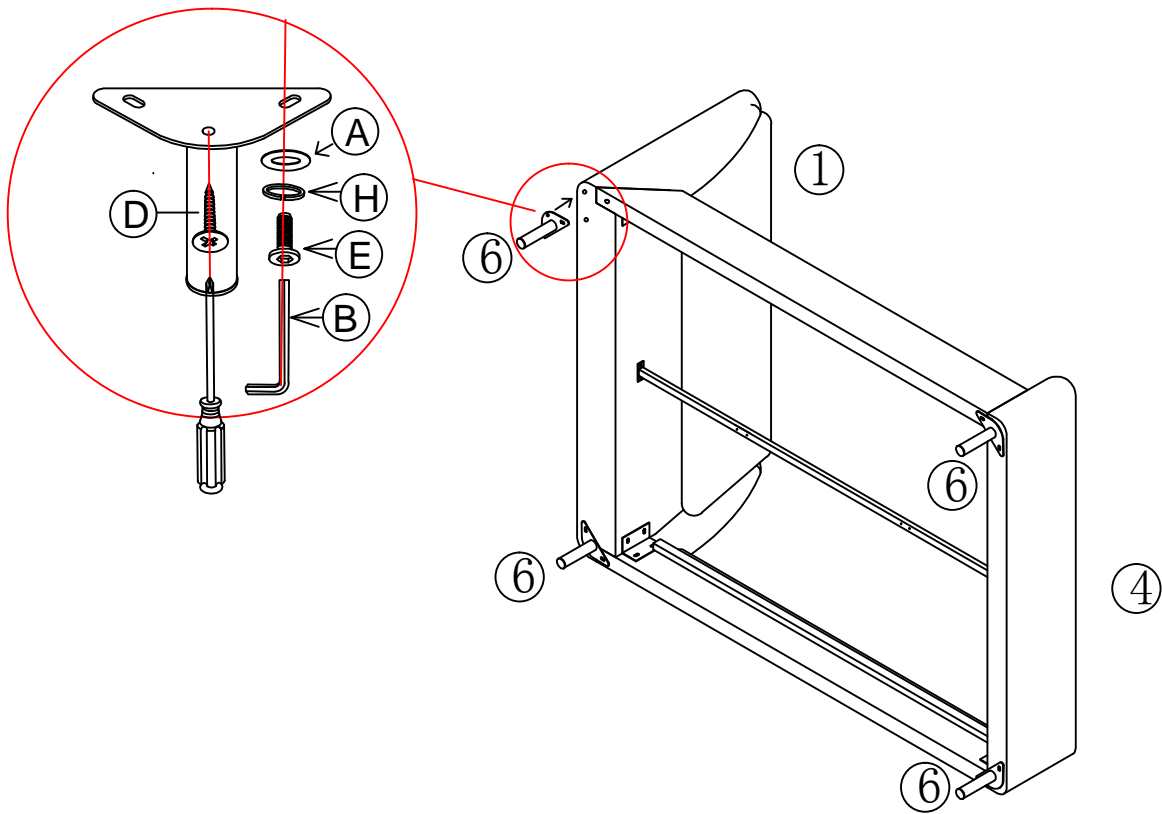
STEP 4

Attach Centre slat rail (7)to Headboard(1)and Footboard(4), using flat washer(A)and bolt(C)as shown below, then tighten with allen key(B).



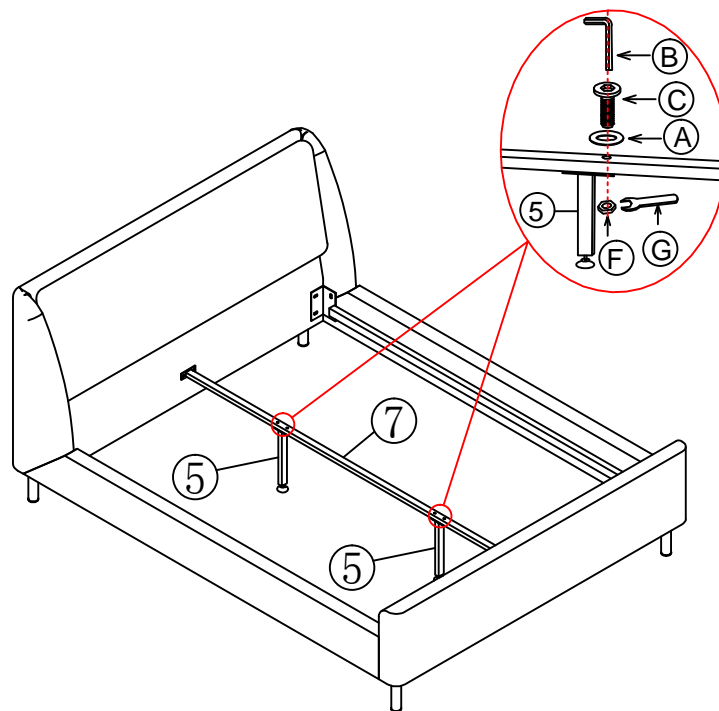
STEP 5

Using two people, carefully turn the bed onto its side. Align Legs(6) with pre-drilled holes, and attach using spring washer(H) flat washer(A), and bolt(E) as shown below, then tighten with allen key(B). Then align screw(D) with the hole and tighten.



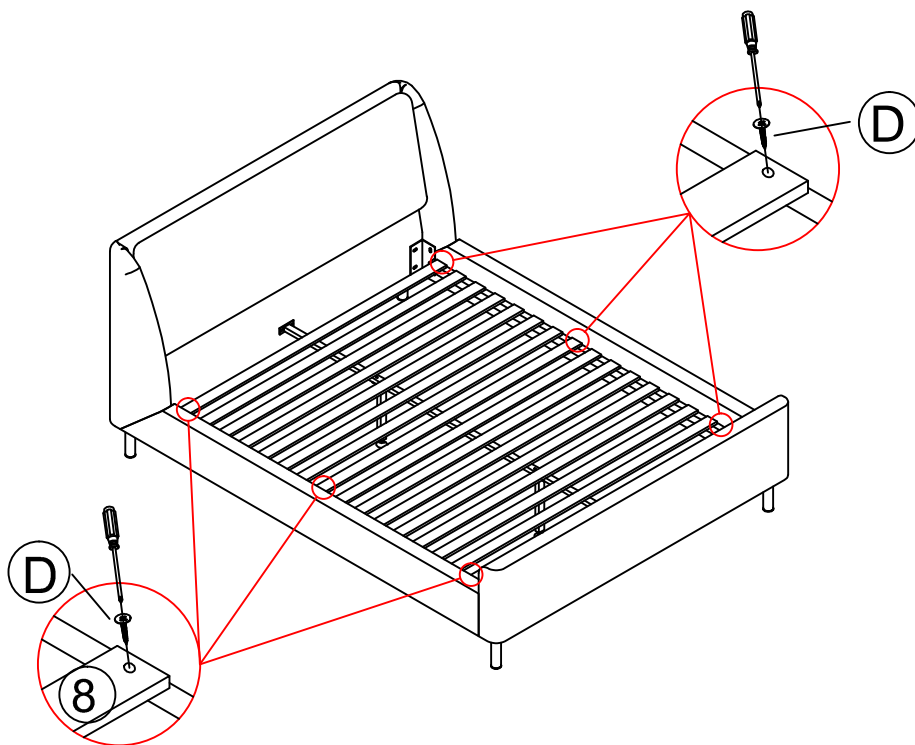
STEP 6

Attach Centre support legs(5) to centre slat rail(7), using flat washer(A) nut(F), and bolt(C) as shown below, then tighten with allen key(B) and wench(G).

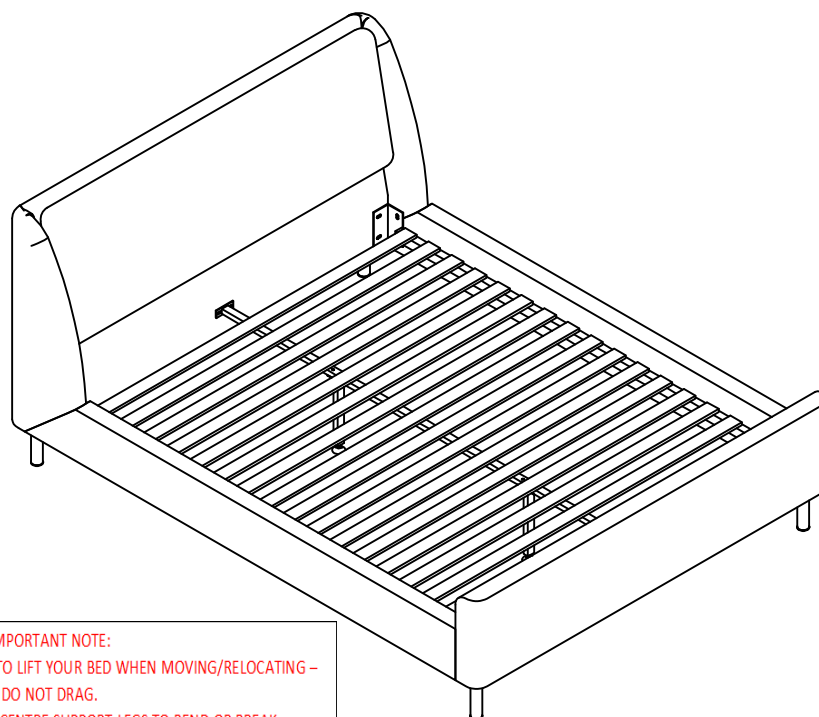


STEP 7

Attach Slats (8) to side rails(2, 3), using screw(D).



ASSEMBLY IS COMPLETE



IMPORTANT NOTE:
ALWAYS USE AT LEAST 2 PEOPLE TO LIFT YOUR BED WHEN MOVING/RELOCATING –
DO NOT DRAG.
DRAGGING CAN CAUSE THE CENTRE SUPPORT LEGS TO BEND OR BREAK.

Fabric Care and Maintenance



REGULAR CARE:

- Protect from direct sunlight

“Áæ~ { Á^* |æ| Á•ā * Á| , Á~ &ā }
“Á [æ^ Á^ç^ | • ā|^ &~ • @ } • Á^* |æ|^

CLEANING:

“Á [Á [á^ { [ç^ &~ • @ } & [ç^ | • Á| | Á^] ææ^ &|^ æ ā * Á^ç^ } Á@~ * @
they may have zippers

“Á [Á [á æ @ “Á [á | Á|^ æ “Á [á @] [| &|^ æ

“Á|^ æ Á ā@ á æ^ | Á^ç^ &ā } Á æ@ ^ Á| [^•• ā } æ &|^ æ ā *
recommended

“Á [Á [á • ^ Áā @ æ @ * Áā ~ āÁ | Áæ } á|^ Á^ç^ | * ^ } c

“Á•^ Á } | Á] @ | • ç|^ Á^ç^ | * ^ } o

“Á [Á [á ^ Á| ā *
“Á|^ Á @ æ^ Á æ Á| { Áā & @ æ Á } á @

“Á [, Á| Á|^ Á@ | [~ * @ Á|^ | ^ Á^ É • ^

SPOT CLEANING:

“Á [Á [á ~ à

“Á [Á [á] [á|^ æ Á ā@ ^ Á | ç^ } c

“Á|^ æ] ā • Á æ á Á æ • Á Á [[] Á Á [•• ā|^

“Á^ } ç^ Á &|^ Á ~ Á ^ Á [ā | Á [] Á ^ Á ~ āÁ | { Á@ Á ~ | æ^ Á Á@

fabric before applying cleaner

“Á [] | ^ Á | [] | á æ^ &|^ æ ā * Á^ç^ } • Á ç^ ç^ Á &|^ | á ā * Á| Á • ç^ &ā } • Á|
remove the residue of the spill

“Do not saturate the fabric or interior with water or other cleaning liquids

WARNING:

Apply only water-based soil resist (fabric protection) treatments. Do not use aerosol products

* PILLING IS NOT A FABRIC DEFECT OR FAULT AND IS NOT COVERED BY WARRANTY

* PILLING IS A NORMAL OCCURRENCE CAUSED BY WEAR AND TEAR AND DOES NOT AFFECT THE DURABILITY OR FUNCTIONALITY OF THE FABRIC AND IS EASILY REMOVED