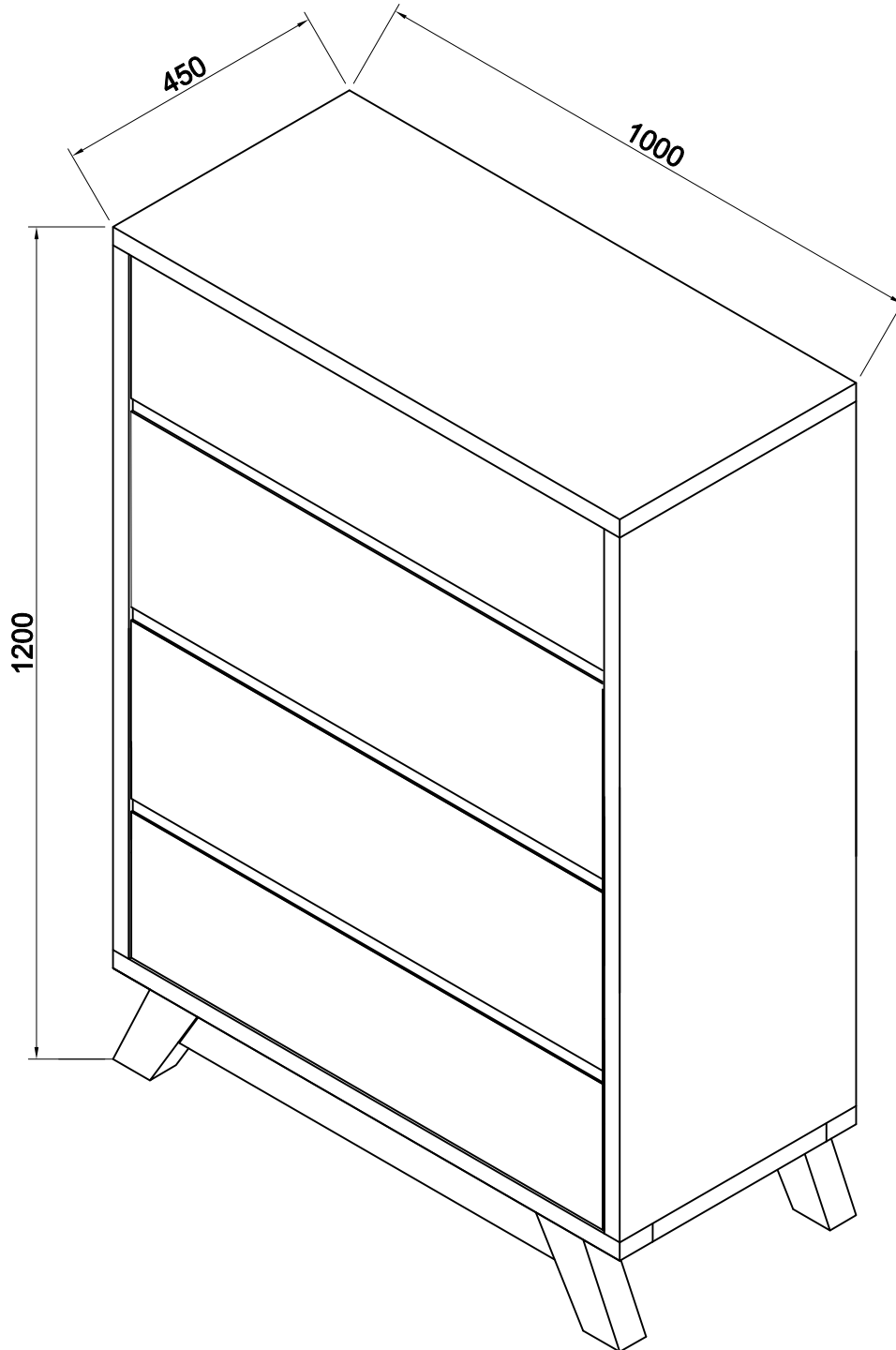


**ASSEMBLY INSTRUCTION
TULUM TALL CHEST
ITEM CODE - 72527.**

Imported by Amart Furniture Pty Ltd, Qld, Brisbane Australia.
For any assistance to assemble or for missing parts please phone
Amart Furniture, Customer Service Free call 1800 351 084.








Imported by Amart Furniture Pty Ltd, Qld, Brisbane Australia.
For any assistance to assemble or for missing parts please phone
Amart Furniture, Customer Service Free call 1800 351 084.

PRE-ASSEMBLY PREPARATION

Before you start:

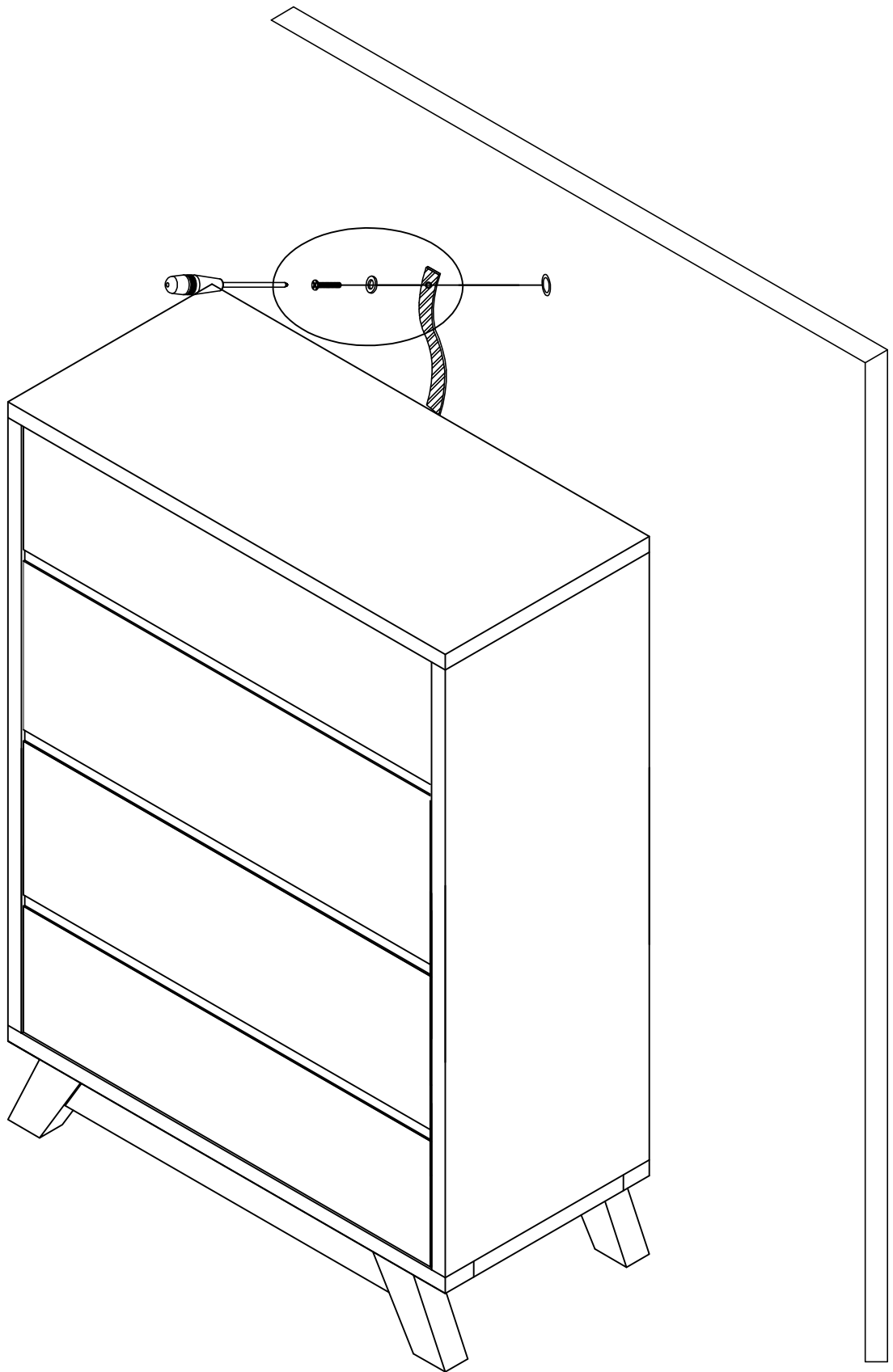
1. Choose a clean, level, spacious assembly area. Avoid hard surfaces that may damage the product.
2. Take care when lifting. Product should be assembled as near as possible to the point of use.
3. Ensure that you have all required contents for complete assembly
4. Always read the assembly instructions carefully before beginning assembly.
5. Keep all hardware parts and packaging out of reach of small children.
6. Do not over tighten the screws and bolts as this may damage the threads.

	
ALLOW 20 MINUTES	2 PEOPLE REQUIRED
	
ADDITIONAL TOOLS REQUIRED	
	<p>We recommend using a screwdriver to put this item together. However if you choose to use a power drill it must be used on LOW SPEED (LOW TORQUE) as too much pressure could damage the product.</p>
 WARNING	
<p>Serious or fatal injuries may occur from furniture toppling over. To help avoid this please follow the below recommendations:</p> <ul style="list-style-type: none">. Install the provided "Tipping Kit" as per the instructions. Never allow children to climb on or hang off of any part of this product. Unless specifically designed to accommodate, do not set TVs or other heavy objects on top of this product <p>If this product has drawers:</p> <ul style="list-style-type: none">. Place the heaviest items in lower drawers. Do not open more than 1 drawer at a time as this may cause the product to become unbalanced. Do not tamper with or remove any drawer interlocking/running system <p>Note: The use of the provided "Tipping Kit" may reduce but not necessarily eliminate the risk of furniture toppling over. Please use this product with caution.</p> <p><i>This is a permanent label. Do not attempt to remove!</i></p>	

Fixing the strap to the wall.

As the wall materials vary, screws for fixing to the wall are not included
For advice on suitable screws systems, contact your local specialised
dealer

To the wall



ASSEMBLY IS COMPLETE

