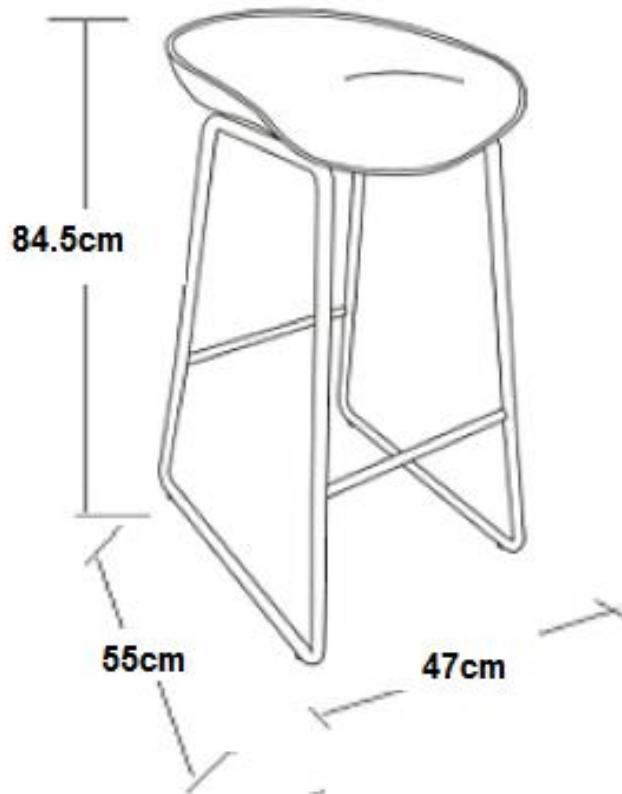




**ASSEMBLY INSTRUCTION
CHARTREUX STOOL**

ITEM CODE 71675

Imported by Amart Furniture Pty Ltd, Qld, Brisbane Australia.
For any assistance with assembly or for missing parts please phone
Amart Furniture, Customer Service Free call 1800 351 084

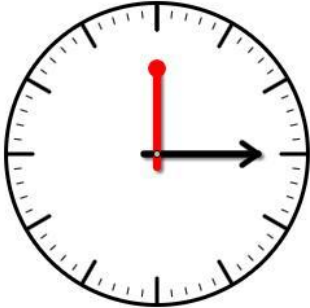



Imported by Amart Furniture Pty Ltd, Qld, Brisbane Australia.
For any assistance with assembly or for missing parts please phone
Amart Furniture, Customer Service Free call 1800 351 084

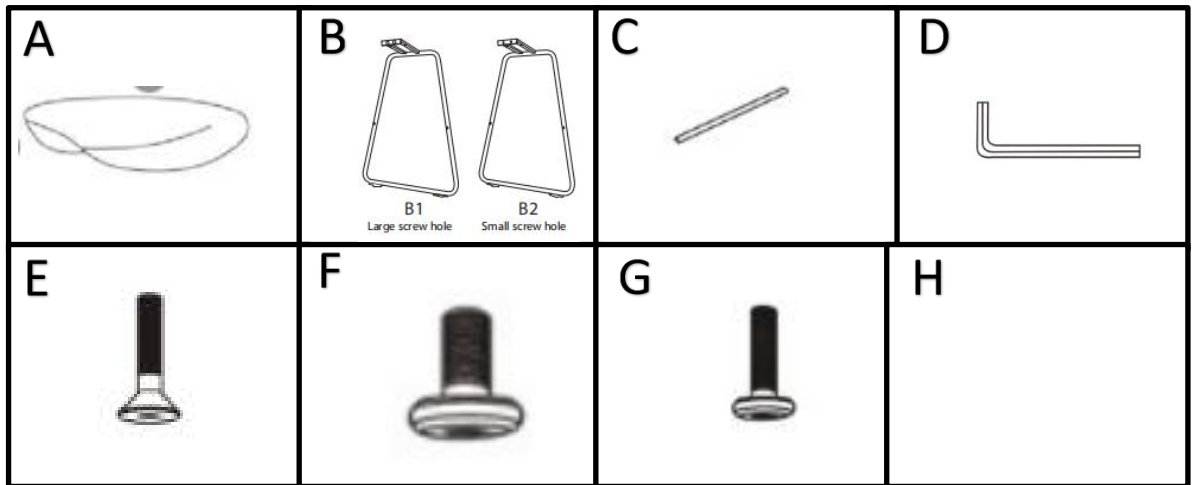
PRE-ASSEMBLY PREPARATION

Before you start:

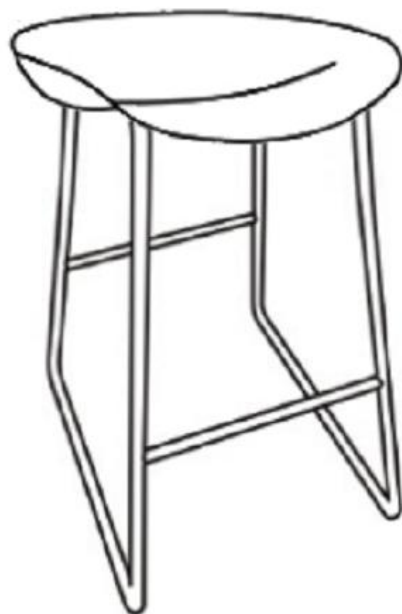
1. Choose a clean, level, spacious assembly area. Avoid hard surfaces that may damage the product
2. Take care when lifting. Product should be assembled as near as possible to the point of use
3. Ensure that you have all required contents for complete assembly
4. Always read the assembly instructions carefully before beginning assembly.
5. Keep all hardware parts and packaging out of reach of small children.
6. Do not over tighten the screws and bolts as this may damage the threads

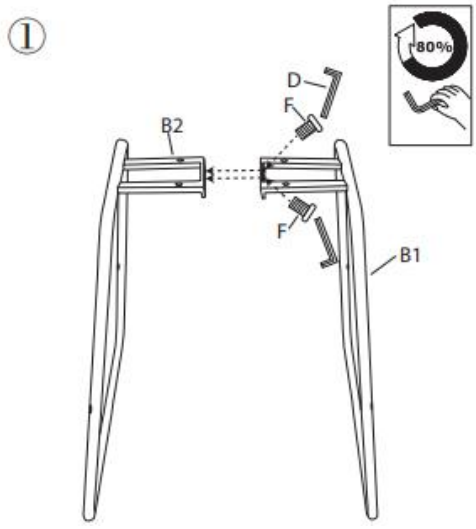
	
Allow 15 min	For 1 person

PARTS LIST

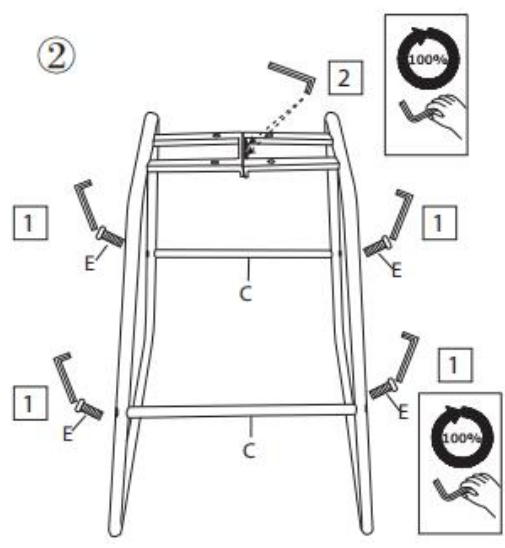


A	Seat*1pc	B	Stool Leg*2pcs	C	Connector bar*2pcs
D	Allen Key M6*1pc	E	Bolt M6*25*4pcs	F	Bolt M8*18*2pcs
G	Bolt M6*16*4pcs	H	Spacer*4pcs		

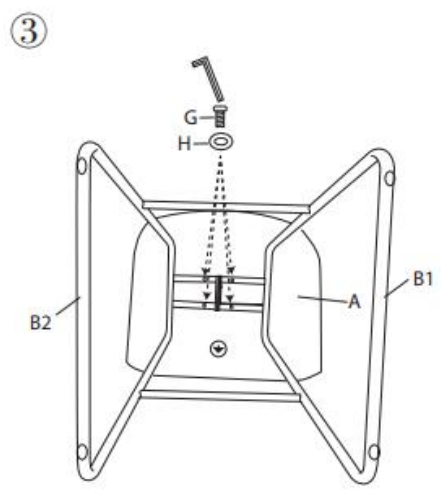




Join Stool Legs (B1) and (B2) With Bolts (F) and By using Allen Key (D) Screw to 80%



Join Connector bars (C) with Bolts(E) By using Allen Key (D) Screw to 100%, Tighten the Step ① to 100%



Attach Stool Seat (A) to constructed Base with Bolt (G) and Spacer (H) Using Allen Key (D)

ASSEMBLY IS COMPLETE



Important Note – Before finally tightening the bolts, place the assembled stool upright on a level surface and sit carefully on the stool to ensure the chair legs are aligned and level. Then tighten all bolts and your stool is ready for use.

CARE AND MAINTENANCE

REGULAR CARE:

- Protect from direct sunlight
- Vacuum regularly using low suction
- Rotate reversible cushions regularly
- Avoid exposure to new clothing, cushions or throws as this may lead to dye transfer and permanent staining

CLEANING:

- Do not remove cushion covers for separate cleaning even though they may have zippers
- Do not wash, Do not dry clean, Do not shampoo clean
- Clean only with hot water extraction machine. Professional cleaning recommended
- Do not use dishwashing liquid or laundry detergent. Use only upholstery detergents
- Do not wet filling
- Dry in shade away from direct heat and sunlight
- Allow to dry thoroughly before re-use

SPOT CLEANING:

- Do not rub
- Do not spot clean with any solvent
- Treat spills and stains as soon as possible
- Gently scrape off any soil or blot any liquid from the surface of the fabric before applying cleaner
- Apply proprietary cleaning agents strictly according to instructions to remove the residue of the spill
- Do not saturate the fabric or interior with water or other cleaning liquids

WARNING:

Apply only water-based soil resist (fabric protection) treatments. Do not use aerosol products

- * PILLING IS NOT A FABRIC DEFECT OR FAULT AND IS NOT COVERED BY WARRANTY
- * PILLING IS A NORMAL OCCURRENCE CAUSED BY WEAR AND TEAR AND DOES NOT AFFECT THE DURABILITY OR FUNCTIONALITY OF THE FABRIC AND IS EASILY REMOVED

CHAIRS AND STOOLS

Do Not:

Use chair/stool as a ladder

Climb on the chair/stool

Stand on the foot-rest of the chair, as this could lead to the stool becoming unbalanced and overturning