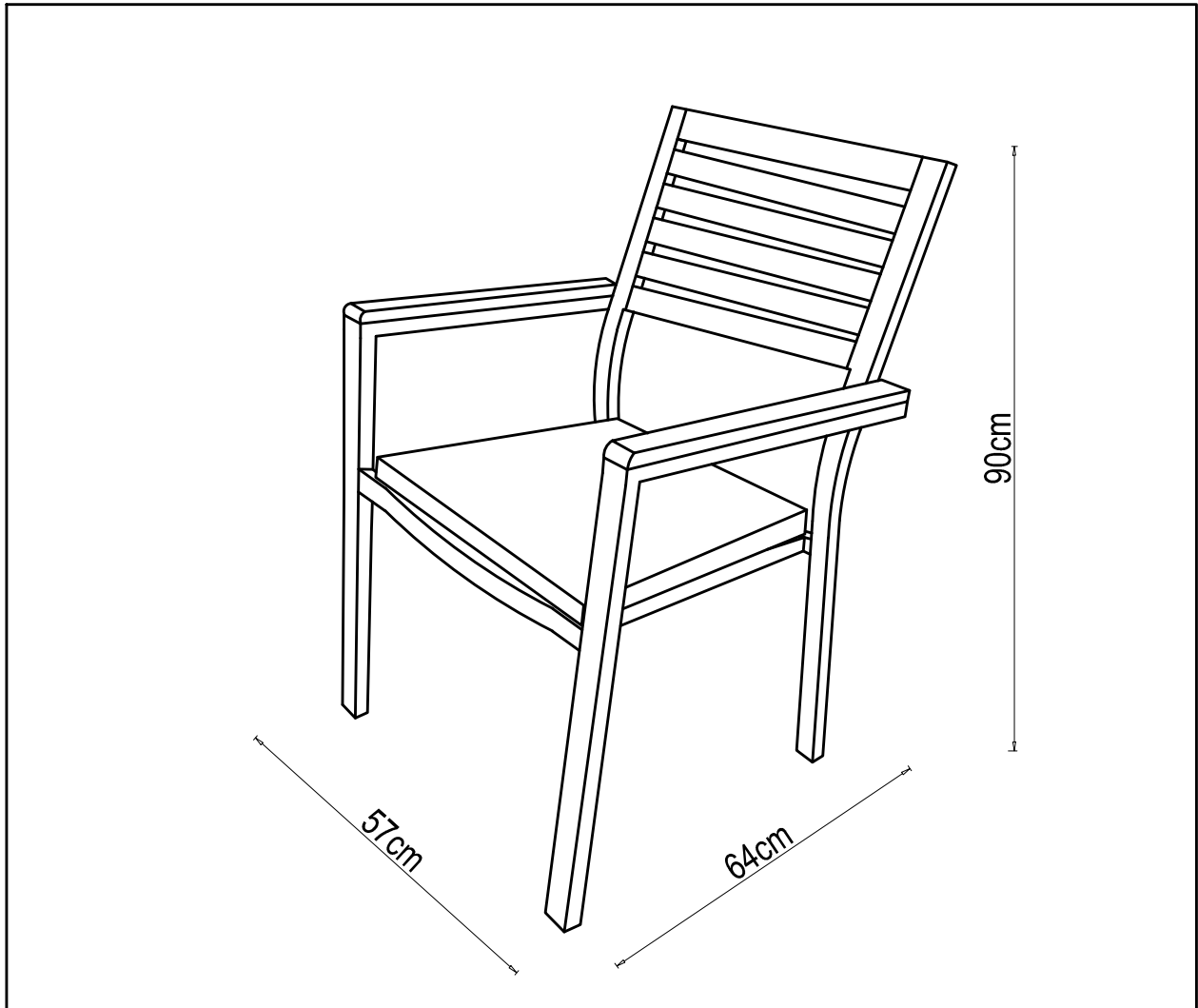




ASSEMBLY INSTRUCTION
OAKLYN OUTDOOR DINING CHAIR
ITEM CODE - 75215

Imported by Amart Furniture Pty Ltd, Qld, Brisbane Australia .
For any assistance with assembly or for missing parts please phone
Amart Furniture , Customer Service Freecall 1800 351 084



Imported by Amart Furniture Pty Ltd, Qld, Brisbane Australia .
For any assistance with assembly or for missing parts please phone
Amart Furniture, Customer Service Freecall 1800 351 084

Care and maintenance



Cushions

- ☒ Direct exposure to the Sun's harmful UV rays is likely to cause rapid colour fading to fabrics. For best results we recommend avoiding exposure to direct sunlight.
- ☒ To ensure product longevity it is recommended outdoor products are not left permanently exposed to the elements.
- ☒ Spot clean using mild detergent and a soft clean cloth. Rinse in lukewarm water.
- ☒ Do not tumble dry.
- ☒ Do not bleach.
- ☒ Do not dry clean.
- ☒ Cool iron onl.

Timbers

- ☒ Prolonged exposure of timber items to the elements may cause premature deterioration
- ☒ Regular vacuuming and dusting of items is recommended
- ☒ Timber requires regular maintenance and upkeep. Please use the appropriate product to maintain your product (oil/wax), if you are unsure of which product is suitable – please contact the store that you purchased from
- ☒ Minor cracking of timber is a natural process and will not compromise the strength of the timber
- ☒ To extend the life of your product the use of an Amart approved Outdoor Furniture Cover is highly recommended.
- ☒ Please contact store of purchase for further details.

Aluminium

- ☒ Item is designed for use outdoors. However we do not recommend leaving this product outside when not in use. To preserve the life of this item, avoid prolonged exposure to the elements & store inside/under cover or use an outdoor cover.
- ☒ DO NOT allow the furniture to be left in the rain or left wet for extended periods of time.
- ☒ Wipe furniture Dry immediately after it becoming wet.
- ☒ DO NOT clean your furniture down with any harsh solvents, abrasives or chemicals.
- ☒ To remove dirt and grime, simply rinse with fresh water or periodically clean using a sponge and mild detergent solution as required