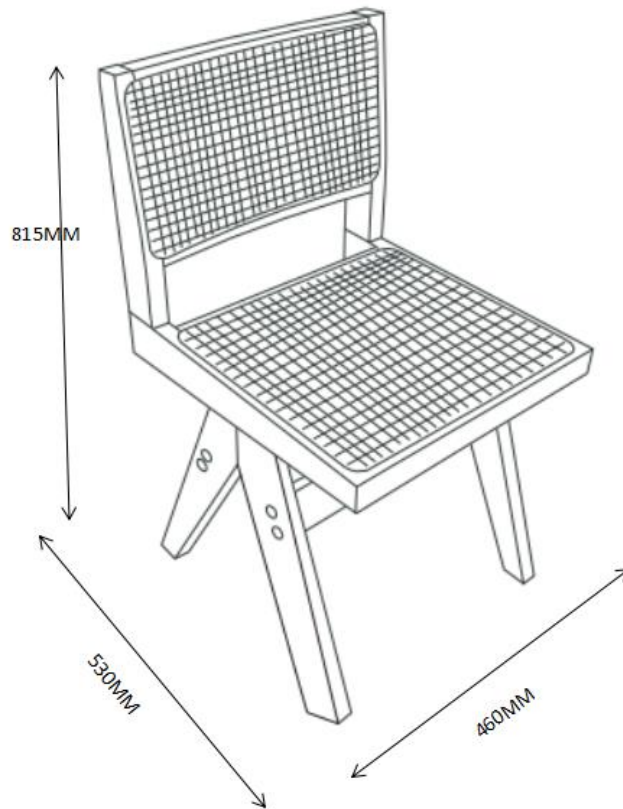


**ASSEMBLY INSTRUCTION**  
**BAYLOR DINING CHAIR**  
**ITEM CODE 81027**

Imported by Amart Furniture Pty Ltd, Qld, Brisbane Australia.  
For any assistance with assembly or for missing parts please phone  
Amart Furniture, Customer Service Free call 1800 351 084

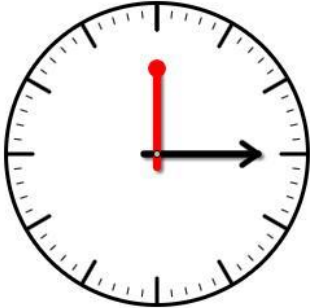



Imported by Amart Furniture Pty Ltd, Qld, Brisbane Australia.  
For any assistance with assembly or for missing parts please phone  
Amart Furniture, Customer Service Free call 1800 351 084

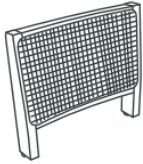
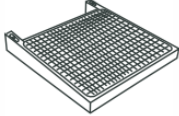
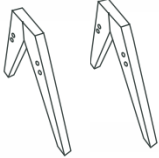
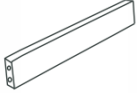


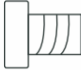


## PRE-ASSEMBLY PREPARATION

### Before you start:

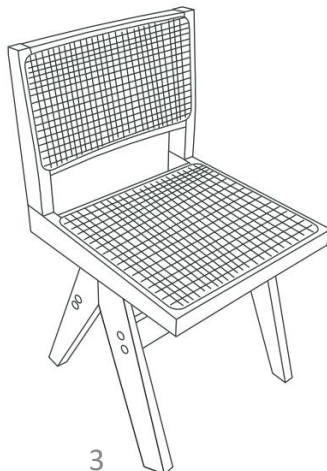
1. Choose a clean, level, spacious assembly area. Avoid hard surfaces that may damage the product
2. Take care when lifting. Product should be assembled as near as possible to the point of use
3. Ensure that you have all required contents for complete assembly
4. Always read the assembly instructions carefully before beginning assembly.
5. Keep all hardware parts and packaging out of reach of small children.
6. Do not over tighten the screws and bolts as this may damage the threads

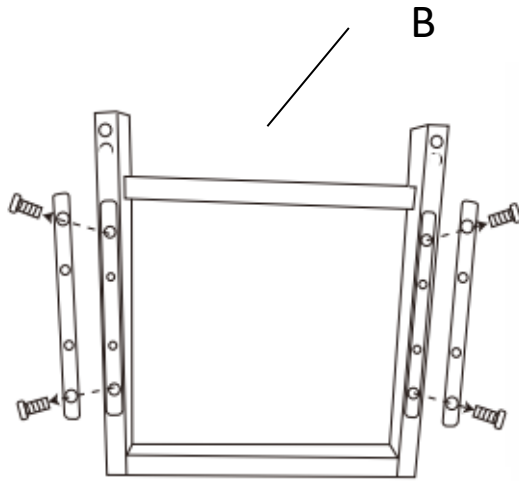
	
Allow 15 min	For 1 person

# PARTS LIST

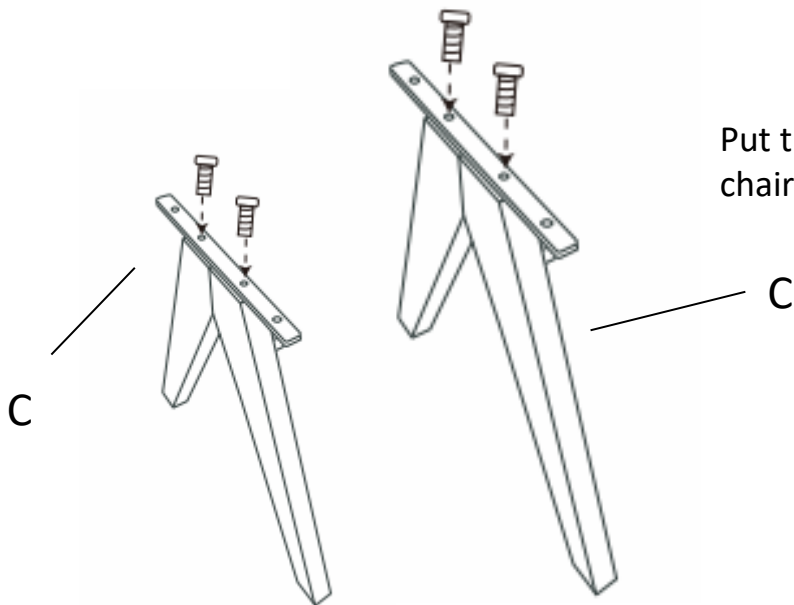
<b>A</b> 	<b>B</b> 	<b>C</b> 	<b>D</b> 
<b>E</b>  <p>M6x40</p>	<b>F</b>  <p>M6x65</p>	<b>G</b>  <p>M6x25</p>	<b>H</b> 
<b>J</b> 			

<b>A</b>	Back*1pc	<b>B</b>	Seat*1pc	<b>C</b>	LegS*2pcs
<b>D</b>		<b>E</b>	Bolt M6*40*8pcs	<b>F</b>	Bolt M6*65*2pcs
<b>G</b>	Bolt M6*25*4pcS	<b>H</b>	Allen Key M6*1pc	<b>J</b>	

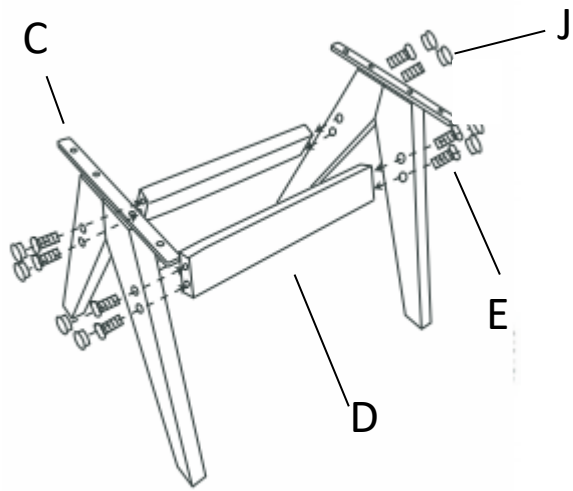




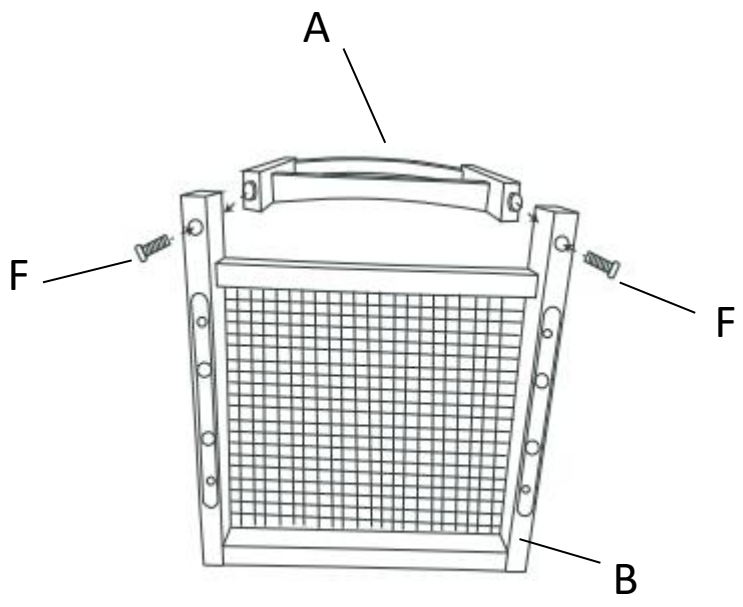
Loosen the screws under the seat cushion

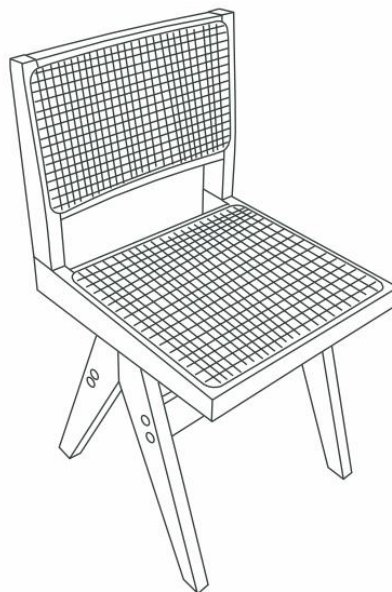
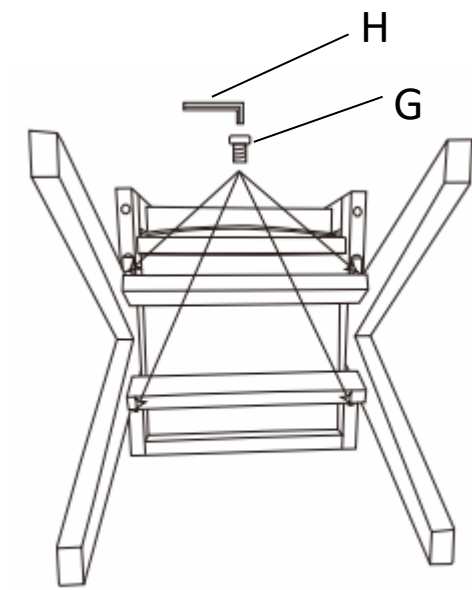


Put the iron sheet on the chair legs



Attach Seat Legs (B) to Seat (A) with Bolt (C) using Allen Key (D)





Assembly complete

## CARE AND MAINTENANCE

To protect your furniture, we suggest the following:

- Avoid placing your furniture in direct sunlight.
- Do not place furniture directly under windows.
- Do not place sharp materials (knife, fork, etc.) directly onto your furniture as sharp material may scrape and damage the finish.
- Do not place material with high temperature directly onto the surface of your furniture.
- Clean up spills quickly. Water left over a prolonged period of time may cause damage. Alcohol, perfume, nail polishes, aftershave and some medication may cause severe finish damage if not cleaned immediately.
- Use a clean, soft, dry, lint free absorbent cloth to clean your furniture. Do not use any detergent as they may contain ingredients that may react and damage the finish.

### CHAIRS AND STOOLS

Do Not:

Use chair/stool as a ladder

Climb on the chair/stool

Stand on the foot-rest of the chair, as this could lead to the stool becoming unbalanced and overturning