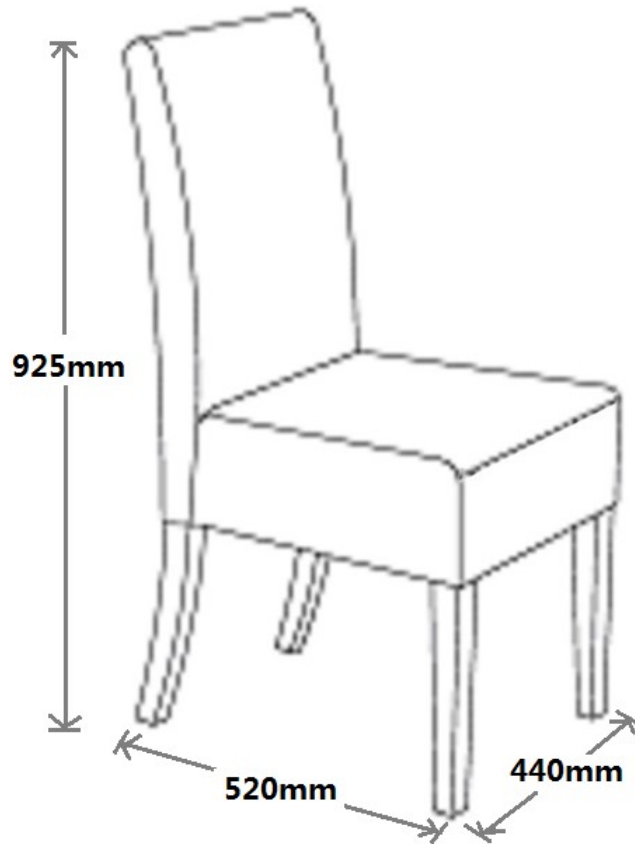




ASSEMBLY INSTRUCTION
TULUM DINING CHAIR
ITEM CODE 74656

Imported by Amart Furniture Pty Ltd, Brisbane, Qld, Australia.
For any assistance with assembly or for missing parts please
phone Amart Furniture, Customer Service Free call 1800 351 084






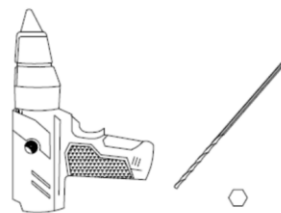
Imported by Amart Furniture Pty Ltd, Brisbane, Qld, Australia.
For any assistance with assembly or for missing parts please phone
Amart Furniture, Customer Service Free call 1800 351 084

PRE-ASSEMBLY PREPARATION

Before you start:

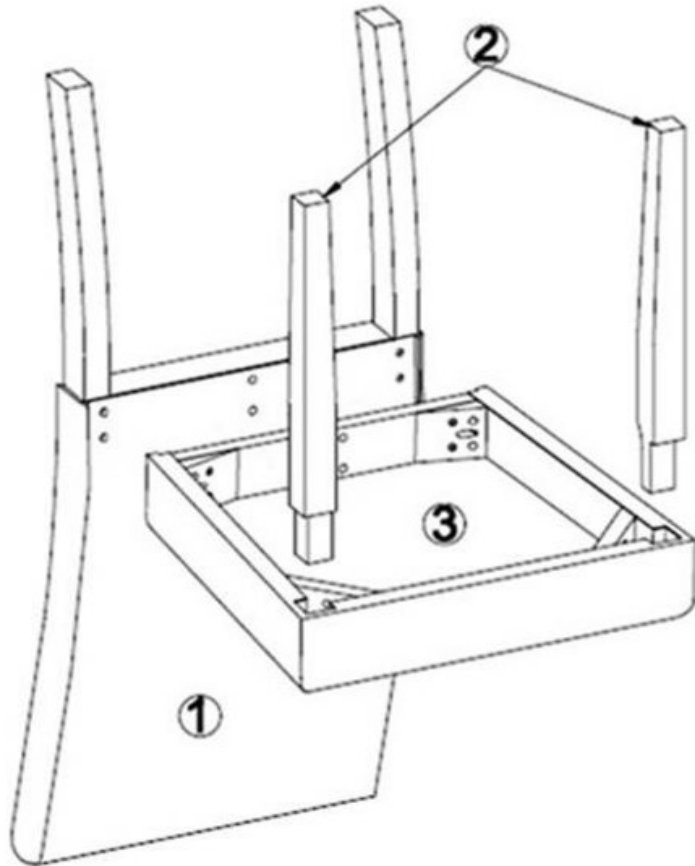
1. Choose a clean, level, spacious assembly area. Avoid hard surfaces that may damage the product
2. Take care when lifting. Product should be assembled as near as possible to the point of use
3. Ensure that you have all required contents for complete assembly
4. Always read the assembly instructions carefully before beginning assembly.
5. Keep all hardware parts and packaging out of reach of small children.
6. Do not over tighten the screws and bolts as this may damage the threads

	
ALLOW 20 MINUTES	PEOPLE REQUIRED
	
TOOL REQUIRED	










We recommend using an Allen Key to put this item together. However, if you choose to use a power drill, it must be used on **LOW SPEED (LOW TORQUE)** as too much pressure could damage the product.

PARTS LIST

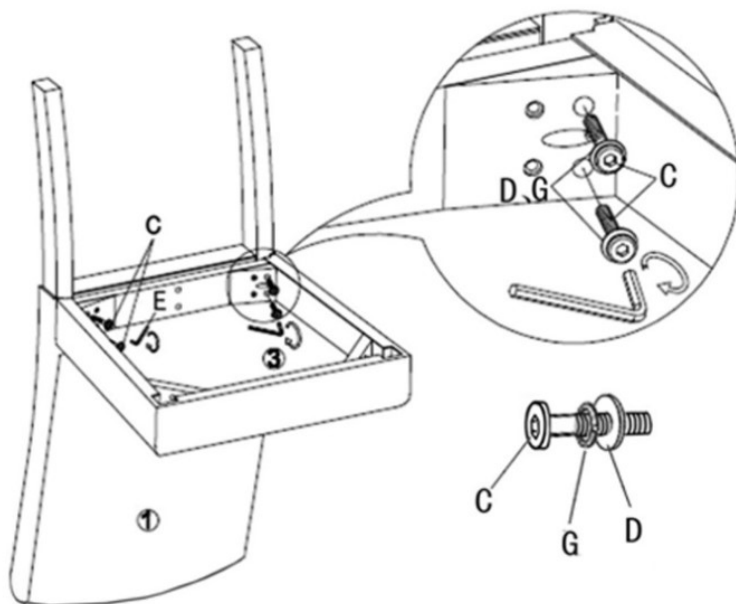


1	BACK FRAME
2	LEGS
3	SEAT

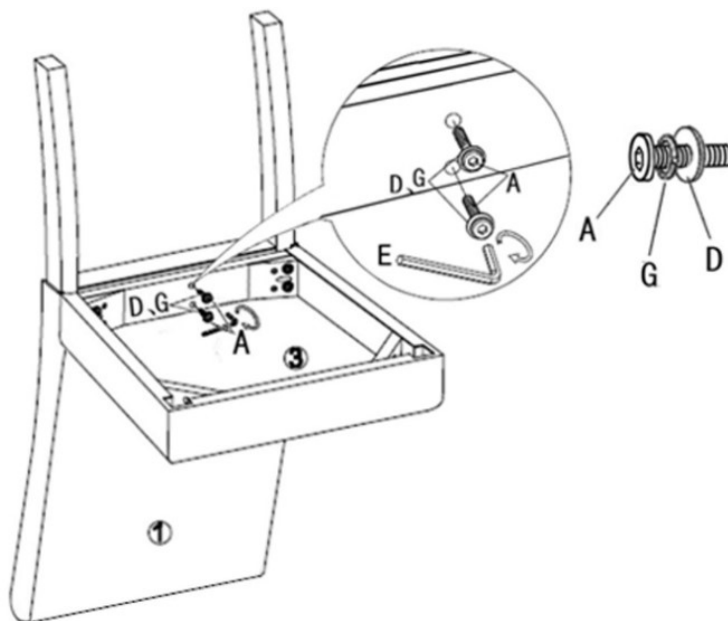
A. Bolt 1/4" 6*45mm  2pcs	B. Bolt 1/4" 6*60mm  4pcs	C. Bolt 1/4" 6*90mm  4pcs
---	---	--

D. Washer ϕ 16mm  10pcs	E. Allen Key  1pc	F. Dust Cover  1pc	G. Spring washer  ϕ 10mm 10pcs
--	---	--	---

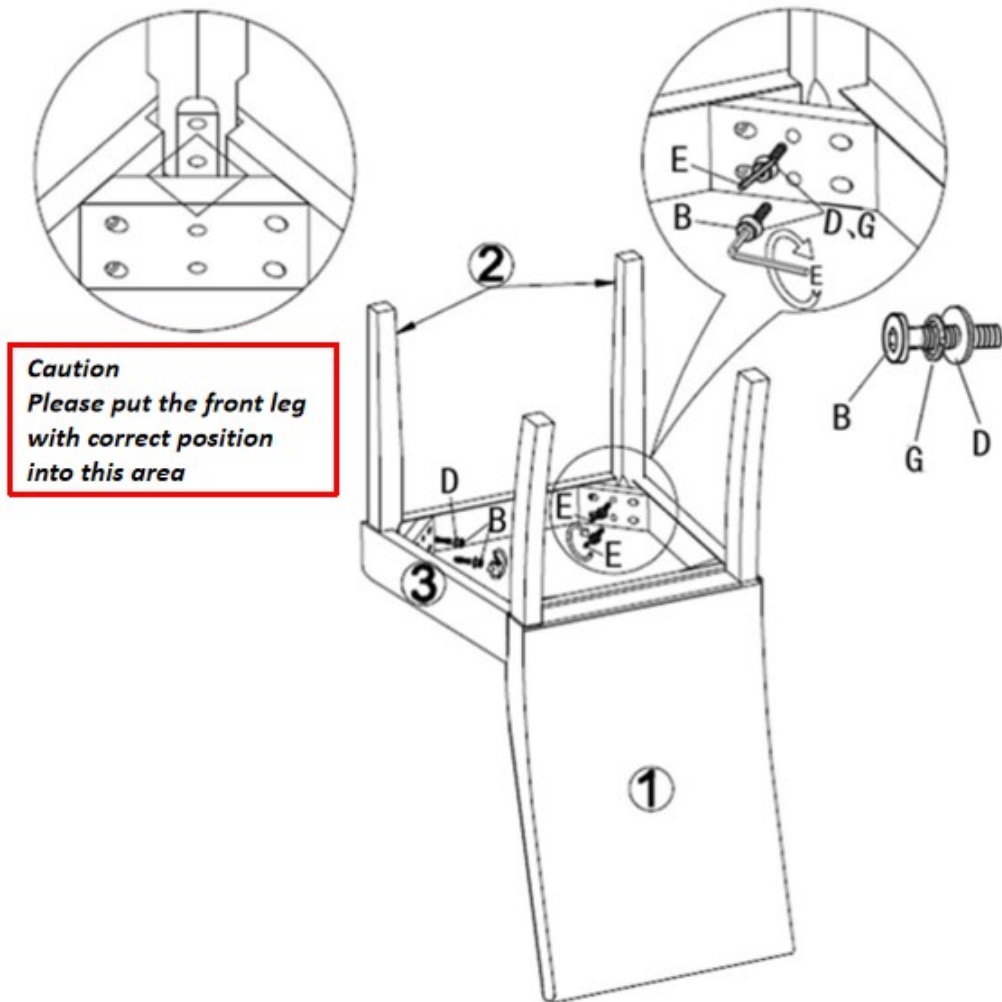
STEP1 Attach the Seat(3) to the Back frame (1) with Bolt(C), washer(D) and Spring washer (G) using Allen Key(E).



STEP2 Secure the Seat(3) to the Back frame (1) with Bolt(A), washer(D) and Spring washer (G) using Allen Key(E).



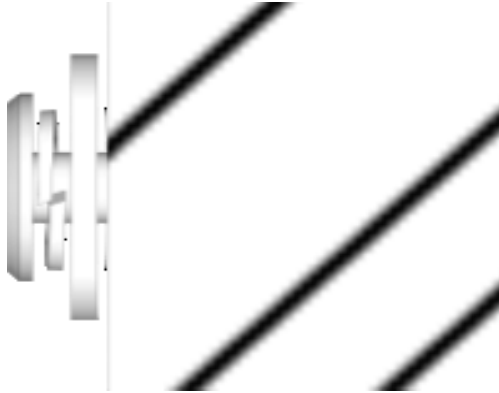
STEP3 Attach the Legs(2) to the Seat (3) with Bolt(B), washer(D) and Spring washer (G) using Allen Key(E).



Attention:
Please fasten bolts to approx. 90% first. Then place chair on level surface. Gently sit on chair for legs to level out. Then flip chair back over and complete to fastening of all bolts.

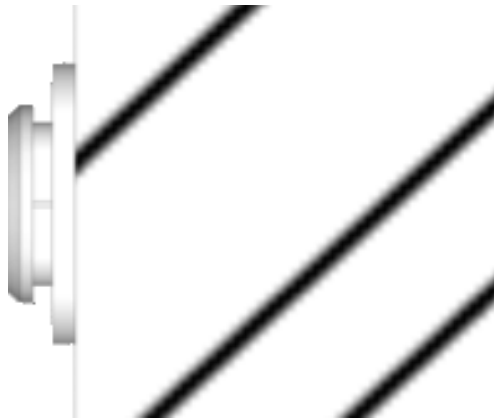
Important Information

Bolt Tightening Instructions



Improperly fastened bolts.

- Have gaps in-between the washer, split washer, bolt head and the chair.
- Split washer is not compressed.
- Bolt can be easily unwound by hand.



Properly fastened bolts.

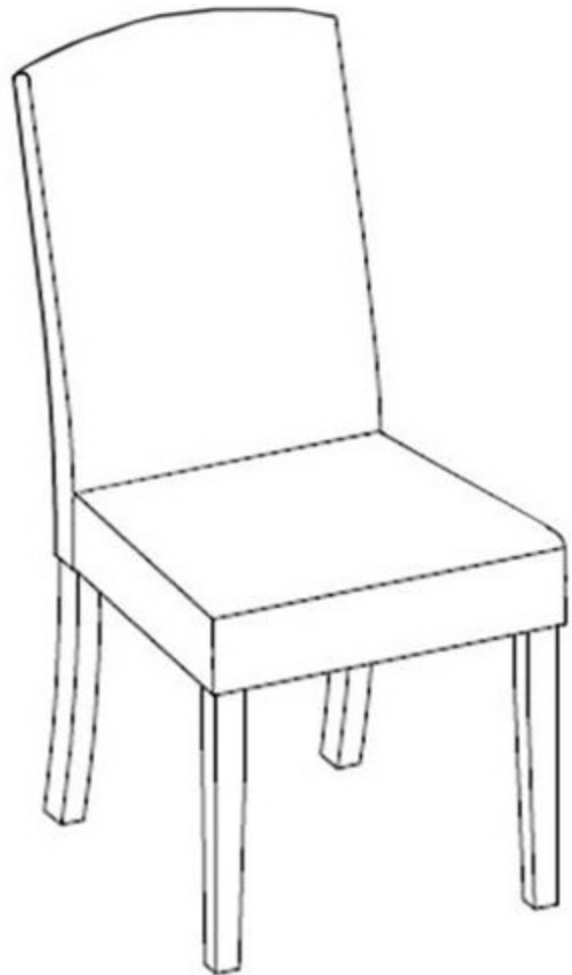
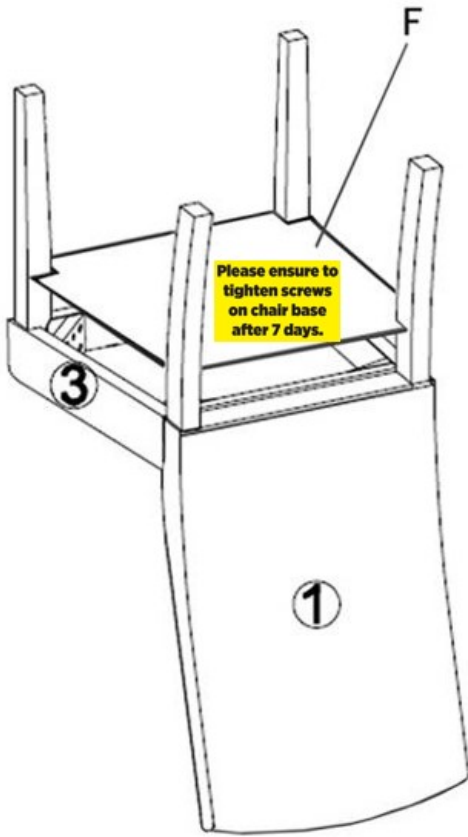
- No gaps between the washer, split washer, bolt head and the chair.
- Split washer is compressed into closed position.
- Bolt can not be loosened by hand.

Warning



Bolts that are not properly fastened could cause structural failure . Amart recommends the bolts be re-tightened after first 7 days and checked on regular basis.

STEP4: Attach dust cover(F) to underside of the seat(3)



ASSEMBLY IS COMPLETE

Care and maintenance

REGULAR CARE:

- Protect from direct sunlight
- Vacuum regularly using low suction
- Rotate reversible cushions regularly

CLEANING:

- Do not remove cushion covers for separate cleaning even though they may have zippers
- Do not wash , Do not dry clean , Do not shampoo clean
- Clean with hot water extraction machine. Professional cleaning recommended
- Do not use dishwashing liquid or laundry detergent
- Use only upholstery detergents
- Do not wet filling
- Dry in shade away from direct heat and sunlight
- Allow to dry thoroughly before re-use

SPOT CLEANING:

- Do not rub
- Do not spot clean with any solvent
- Treat spills and stains as soon as possible
- Gently scrape off any soil or mop any liquid from the surface of the fabric
- Apply proprietary cleaning agents strictly according to instructions to remove the residue of the spill
- Do not saturate the fabric or interior with water or other cleaning liquids

WARNING:

Apply only water-based soil resist (fabric protection) treatments. Do not use aerosol products

- * PILLING IS NOT A FABRIC DEFECT OR FAULT AND IS NOT COVERED BY WARRANTY
- * PILLING IS A NORMAL OCCURRENCE CAUSED BY WEAR AND TEAR AND DOES NOT AFFECT THE DURABILITY OR FUNCTIONALITY OF THE FABRIC AND IS EASILY REMOVED

Do not:

- Use chair/stool as a ladder
- Climb on the chair/stool
- Stand on the foot-rest of the chair, as this could lead to the stool becoming unbalanced and overturning