





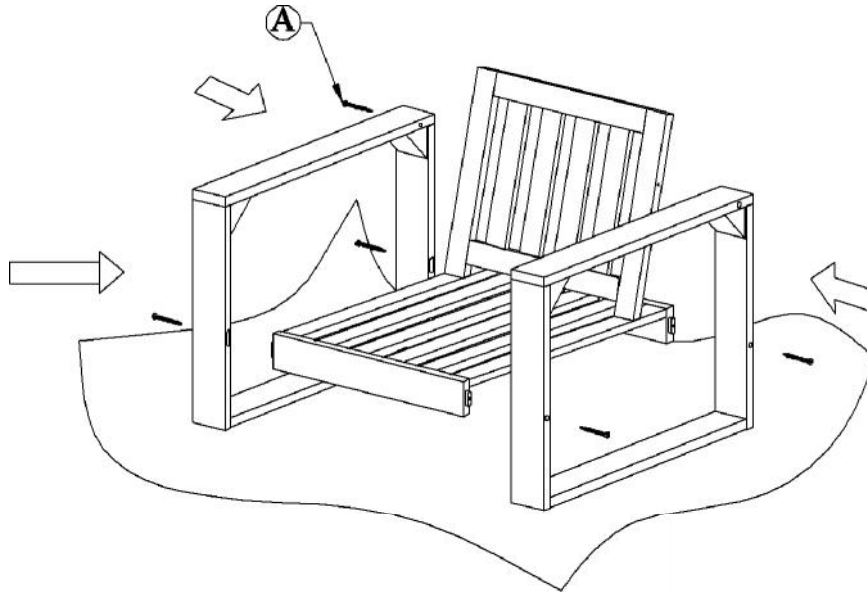
## PRE-ASSEMBLY PREPARATION


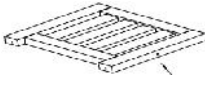
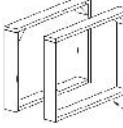
### Before you start:






1. Choose a clean, level, spacious assembly area. Avoid hard surfaces that may damage the product
2. Take care when lifting. Product should be assembled as near as possible to the point of use
3. Ensure that you have all required contents for complete assembly
4. Always read the assembly instructions carefully before beginning assembly.
5. Keep all hardware parts and packaging out of reach of small children.
6. Do not over tighten the screws and bolts as this may damage the threads

	
ALLOW 15MINUTES	PEOPLE REQUIRED
ADDITIONAL TOOLS REQUIRED	

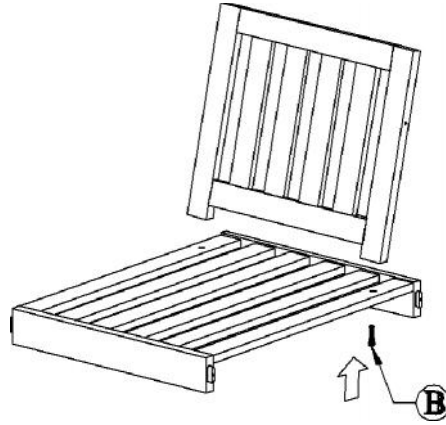
# PARTS LIST



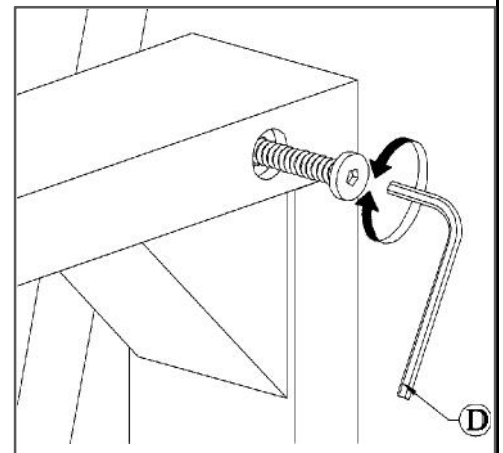
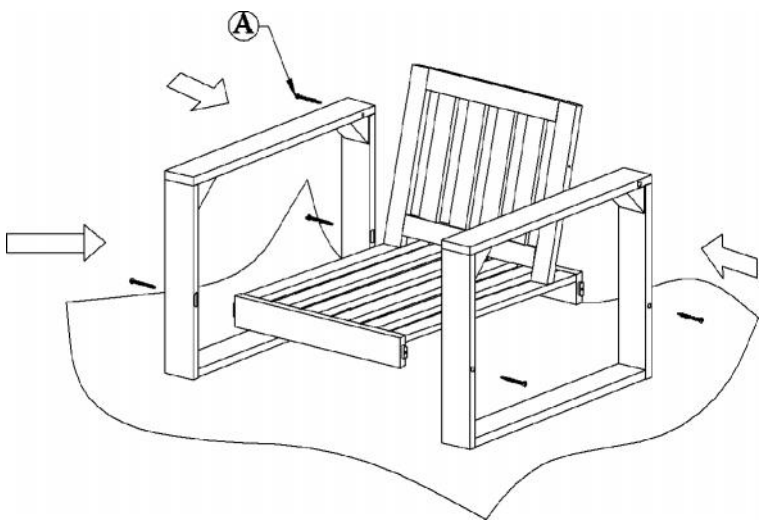
No	COMPONENT PARTS	Qty
1	Seat 	1pc
2	Back rest 	1pc
3	Legs 	2pcs

No	HARDWARE LIST		Qty
A		Hexagon head screw M6x100	10pcs
B		Hexagon head screw M6x40	2pcs
C		Seat cushion + Back cushion	2pcs
D		Allen key	1pc
E		Pillow	1pc

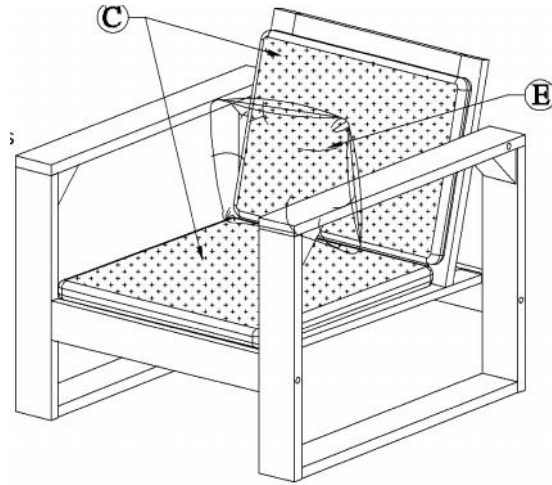
**Step1:** Using the 40mm hexagon head screw (B) attach the seat to the backrest with the allen key (D) as show in the diagram.



**Step2:** Using the 100mm hexagon head screw (A) attach the seat to the armrests with the allen key (D) as shown in the diagram. Carefully tighten all bolts.



Step 3: Place the Seat and back cushion and pillow on the product as shown in the diagram.



**ASSEMBLY IS COMPLETE**

