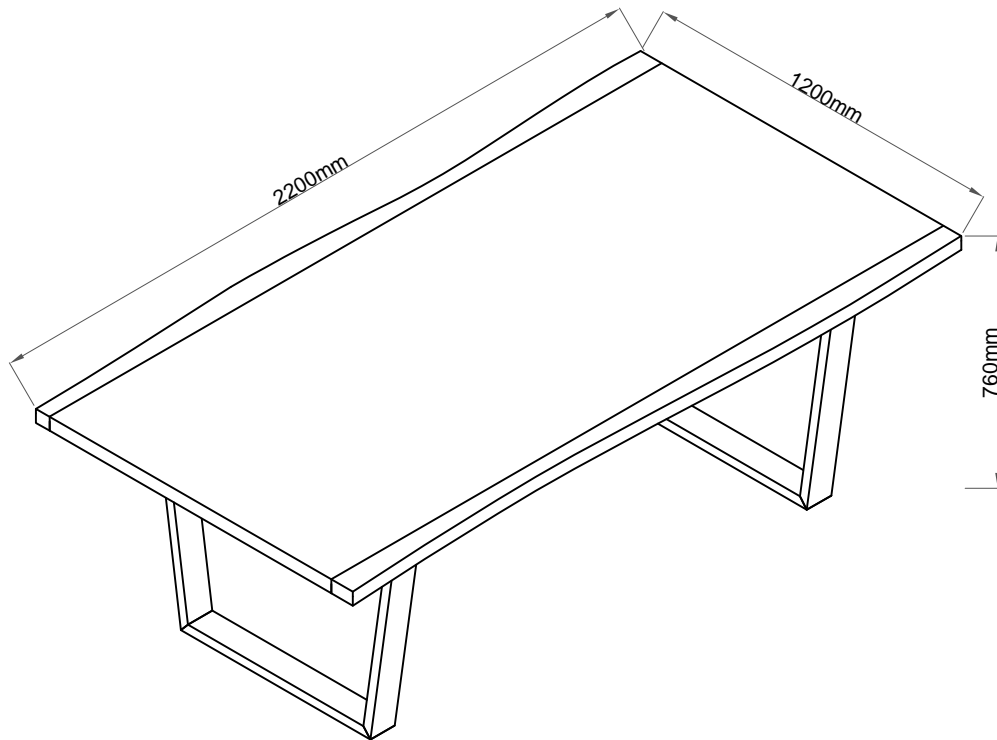


ASSEMBLY INSTRUCTION  
NERO 2200 DINING TABLE  
ITEM CODE 64240



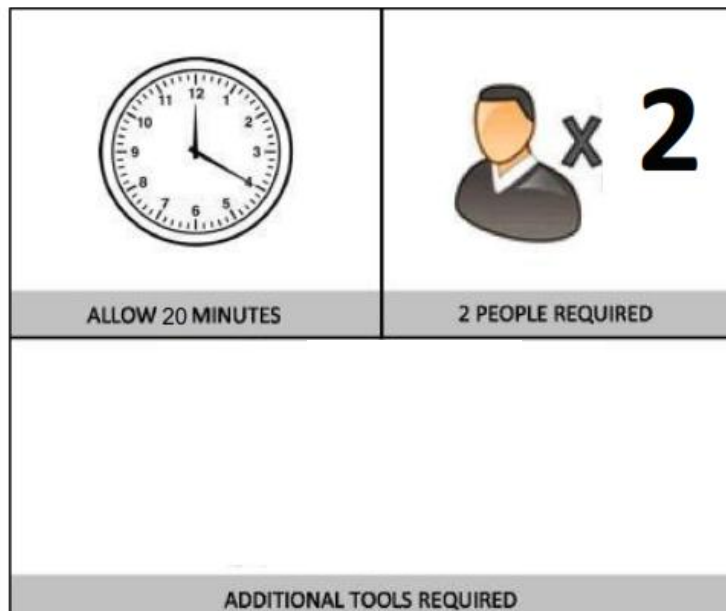
Imported by Amart Furniture Pty Ltd, Qld, Brisbane Australia.  
For any assistance with assembly or for missing parts please phone  
Amart Furniture, Customer Service Free call 1800 351 084



# PRE-ASSEMBLY PREPARATION

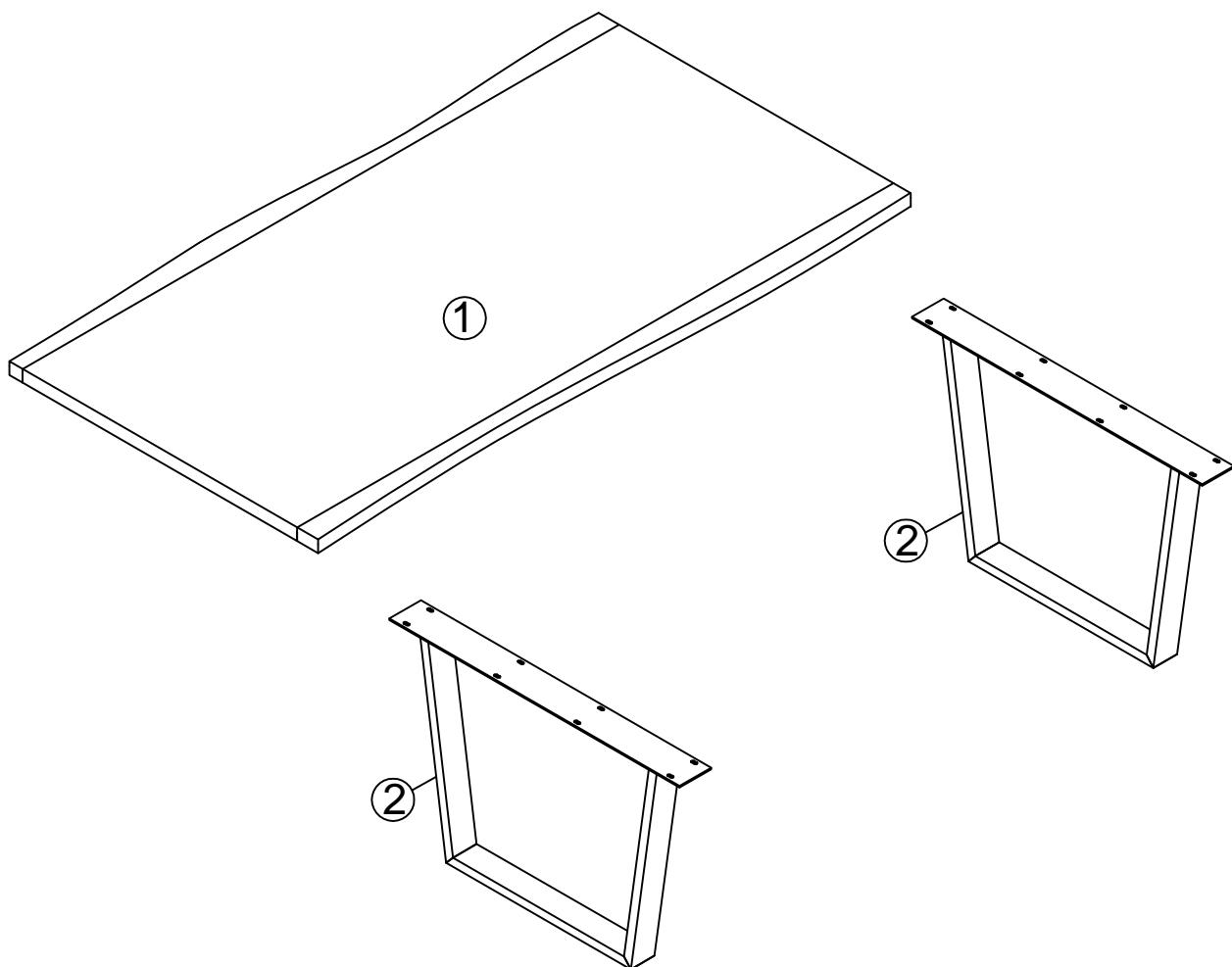
## Before you start:

1. Choose a clean, level, spacious assembly area. Avoid hard surfaces that may damage the product
2. Take care when lifting. Product should be assembled as near as possible to the point of use
3. Ensure that you have all required contents for complete assembly
4. Always read the assembly instructions carefully before beginning assembly.
5. Keep all hardware parts and packaging out of reach of small children.
6. Do not over tighten the screws and bolts as this may damage the threads








<b>! TIPPING WARNING !</b>	
	<p>Serious or fatal injuries may occur from furniture toppling over. To help avoid this please follow the below recommendations:</p> <ul style="list-style-type: none"><li>• Install the provided "Tipping Kit" as per the instructions</li><li>• Never allow children to climb on or hang off of any part of this product</li><li>• Unless specifically designed to accommodate, do not set TVs or other heavy objects on top of this product</li></ul> <p>If this product has drawers:</p> <ul style="list-style-type: none"><li>• Place the heaviest items in lowest drawers</li><li>• Do not open more than 1 drawer at a time as this may cause the product to become unbalanced</li><li>• Do not tamper with or remove any drawer interlocking/running system</li></ul> <p><b>Note:</b> The use of the provided "Tipping Kit" may reduce but not necessarily eliminate the risk of furniture toppling over. Please use this product with caution.</p> <p><i>This is a permanent label. Do not attempt to remove!</i></p>

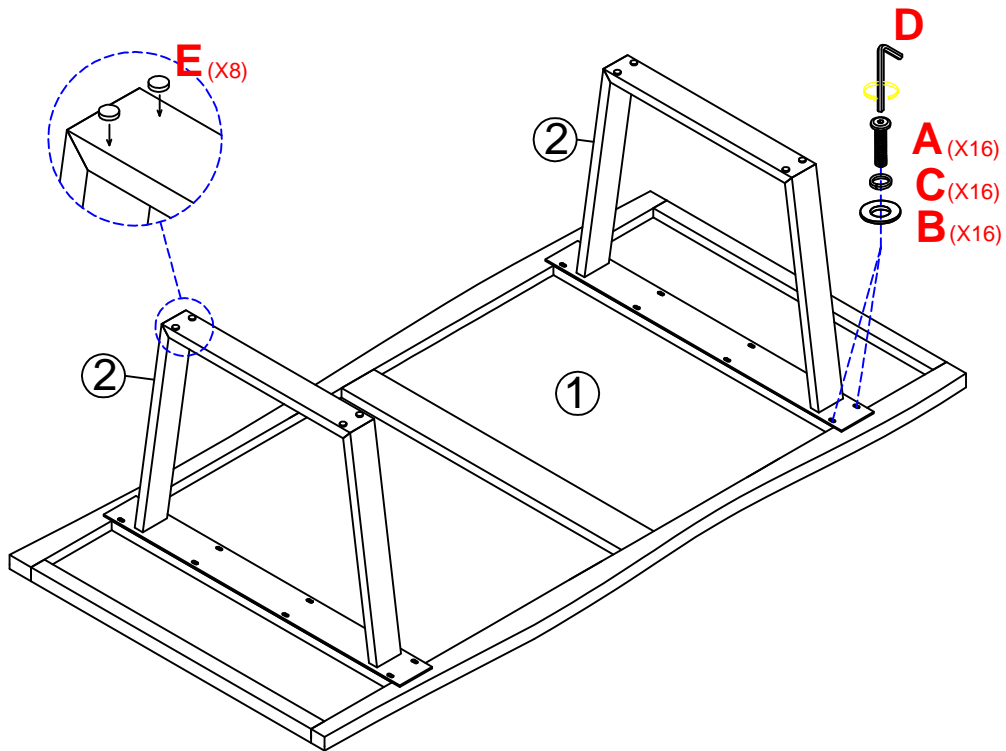
# PARTS LIST



NO.	PARTS LIST	QTY
1	Top table	1 pc
2	Leg table	2 pcs

NO.	HARDWARE LIST	QTY
A	 Bolt M8x20mm	16 pcs
B	 Flat washer M8	16 pcs
C	 Spring washer M8	16 pcs
D	 Allen Key 4mm	1 pc
E	 Adhesive felt pad	8 pcs

STEP 1: Attach legs (2) onto top (1) using the bolts M8x20 (A), flat washers (B) and spring washers (C), tighten it up by using an allen key (D).  
Attach adhesive felt pad (E) onto the legs (2)



ASSEMBLY IS COMPLETE

