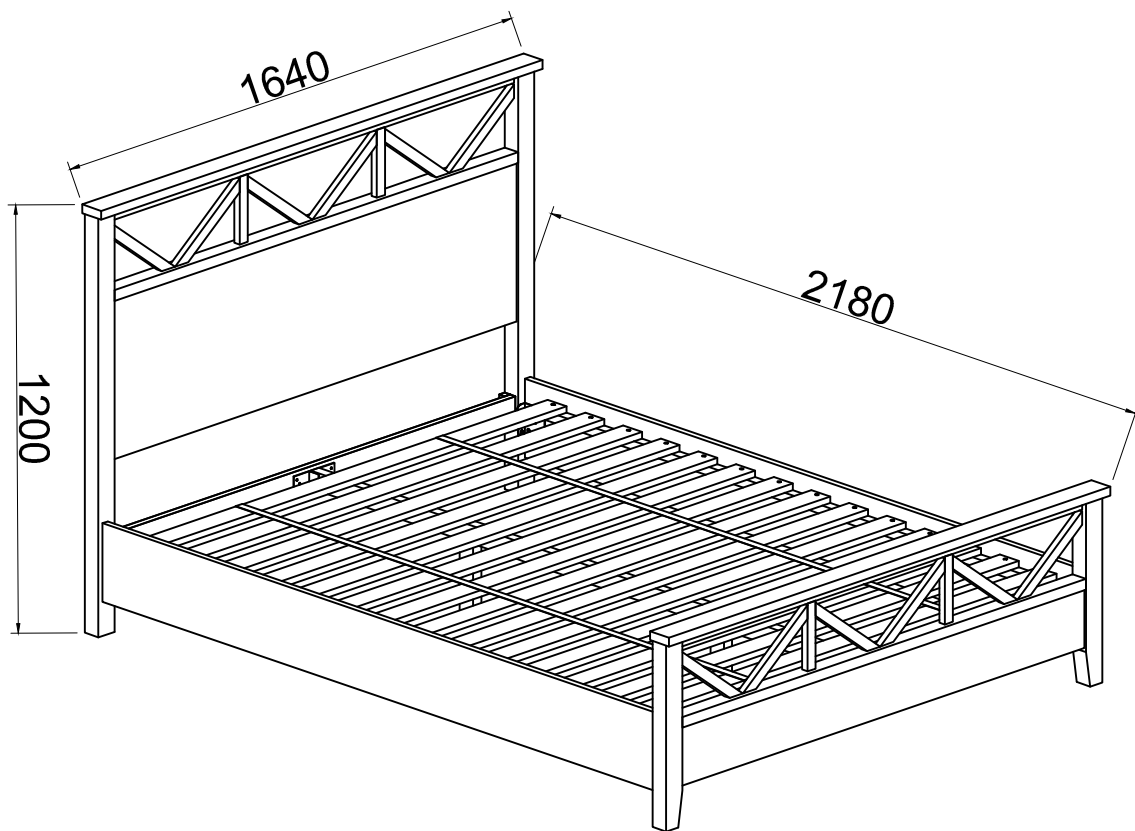


## ASSEMBLY INSTRUCTION

### CABOS QUEEN BED

ITEM CODE - 75939

Imported by Amart Furniture Pty Ltd, Qld, Brisbane Australia.  
for any assistance with assembly or for missing parts please phone  
Amart Furniture, Customer Service Freecall 1800 351 084

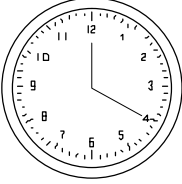

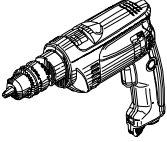



Imported by Amart Furniture Pty Ltd, Qld, Brisbane Australia.  
for any assistance to assembly or for missing parts please phone  
Amart Furniture, Customer Service Freecall 1800 351 084

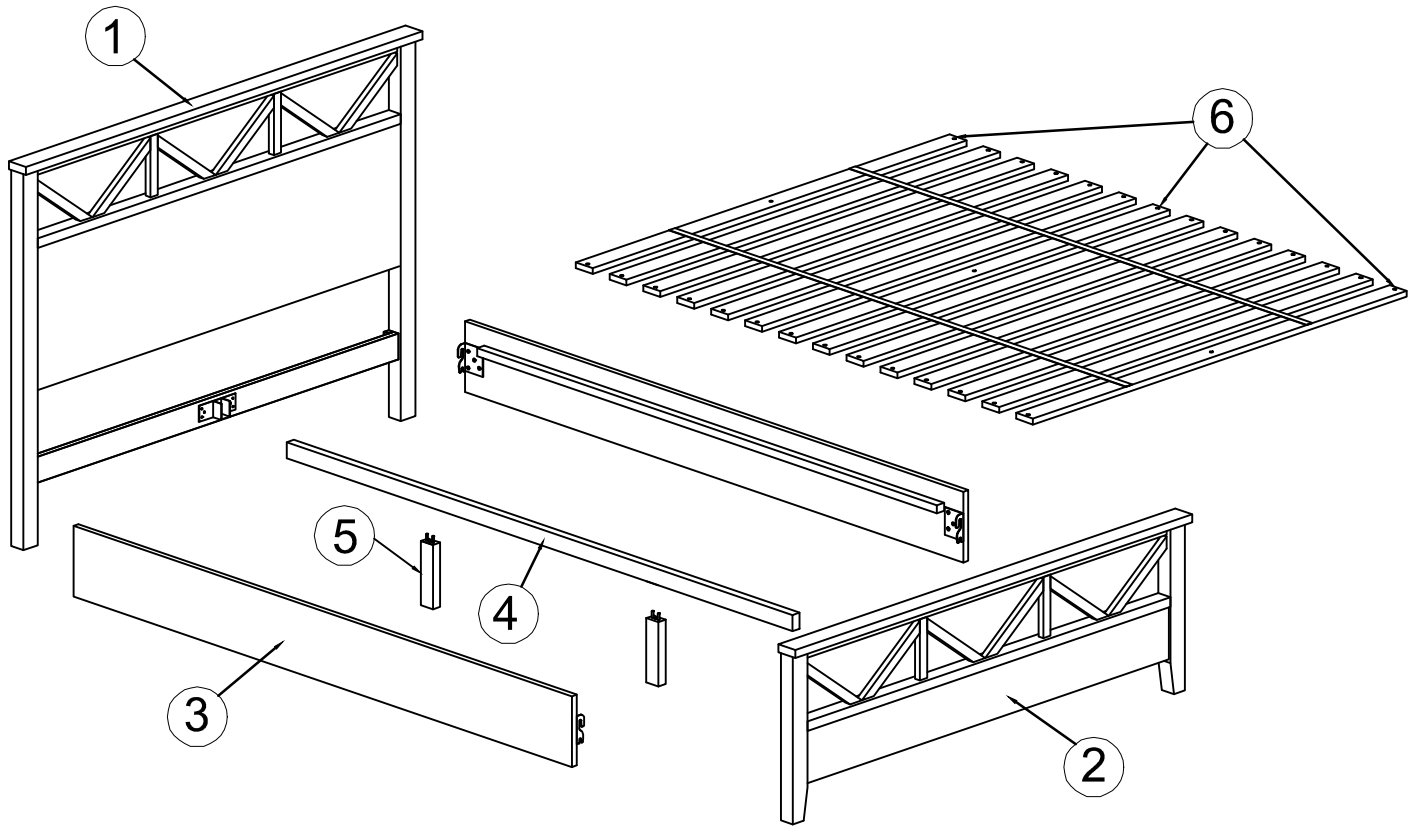
# PRE-ASSEMBLY PREPARATION

## BEFORE YOU START :

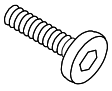
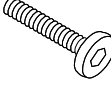



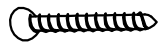
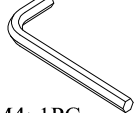
1. Choose a clean, level, spacious assembly area. Avoid hard surfaces that may damage the product
2. Take care when lifting. Product should be assembled as near as possible to the point of use
3. Ensure that you have all required contents for complete assembly
4. Always read the assembly instructions carefully before beginning assembly.
5. Keep all hardware parts and packaging out of reach of small children.
6. Do not over tighten the screws and bolts as this may damage the threads

	
ALLOW 20 MINUTES	2 PEOPLE REQUIRED
 	<p>We recommend using screw driver to put this item together. However if you choose to use a power drill it must be used on <b>LOW SPEED (LOW TORQUE)</b> as too much pressure could damage the product.</p>
ADDITIONAL TOOLS REQUIRED	

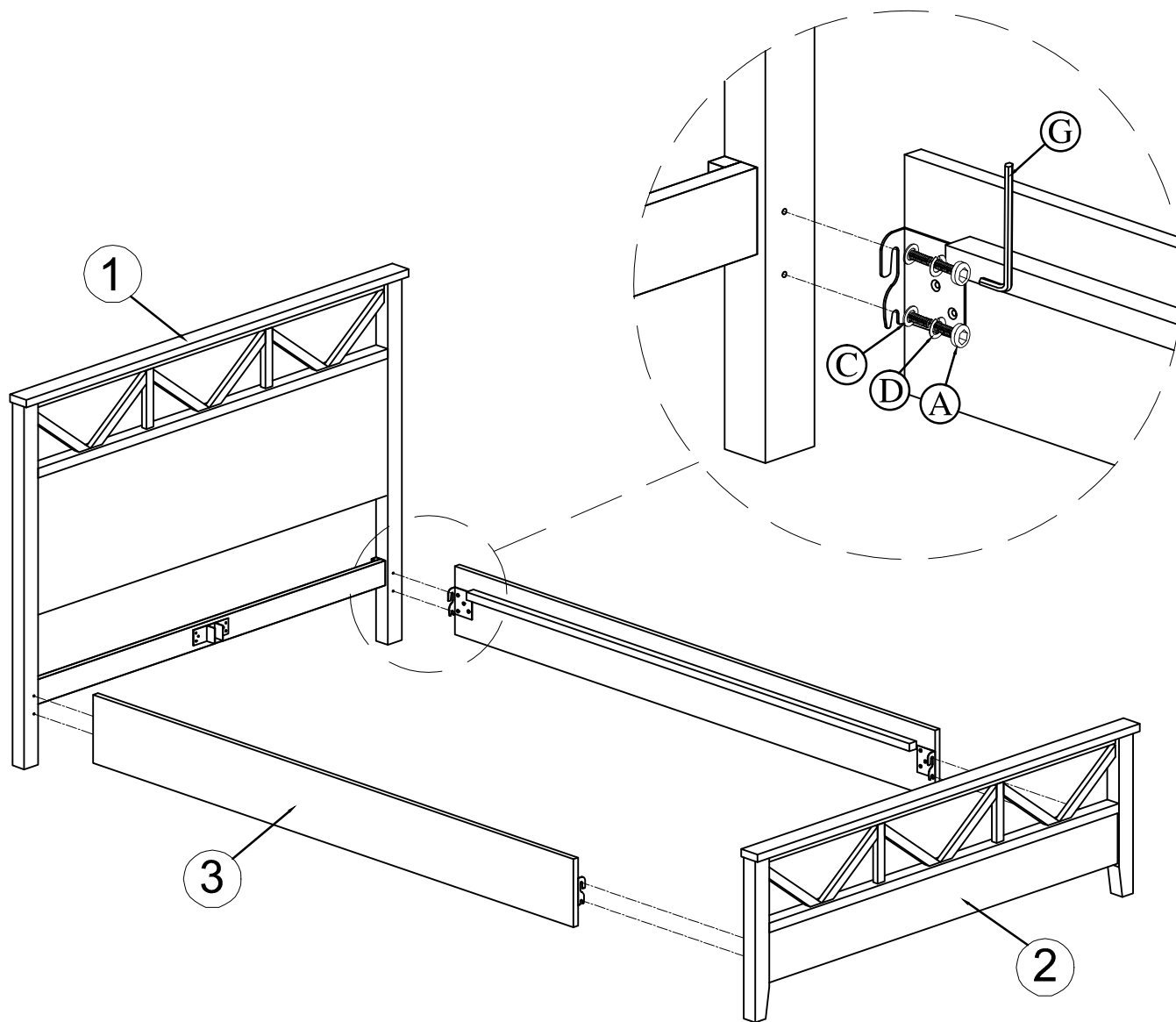
# PARTS LIST

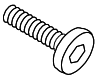


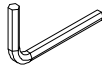


1	HEAD BOARD	1PC	4	CENTER RAIL	1PC
2	FOOT BOARD	1PC	5	SUPPORT LEGS	2PCS
3	SIDE RAILS	2PCS	6	SLATS	14PCS

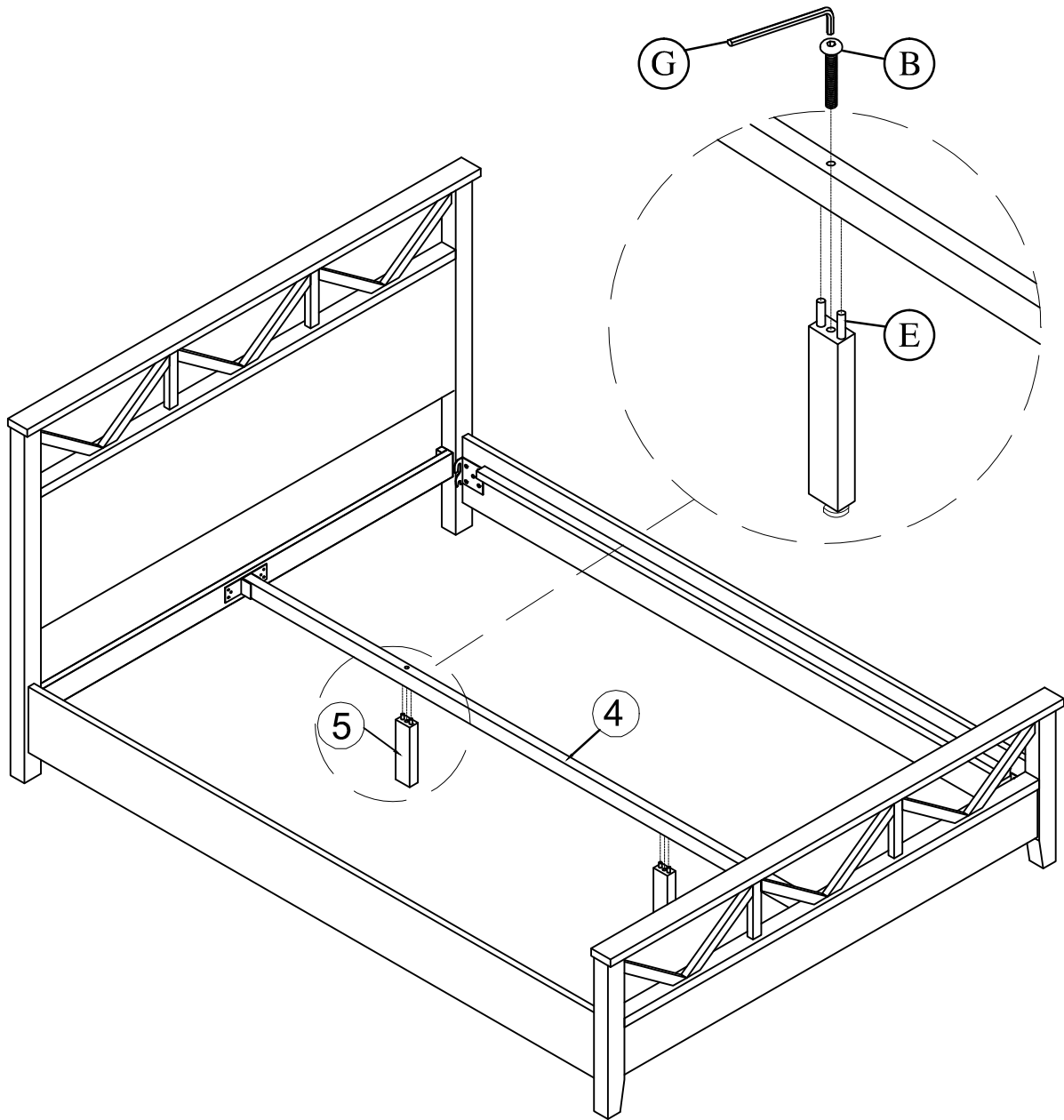
A. BOLTS  M8x30: 8PCS	B. BOLTS  M6x60: 2PCS	C. WASHER  Ø8xØ19x2: 8PCS	D. SPRING WASHER  Ø8xØ12x1.2: 8PCS	E. DOWEL  Ø8x30: 4PCS	F. FLAT HEAD SREW  Ø4x30: 31PCS	G. ALLEN KEY  M4: 1PC
--	--	--	---	---	--	--



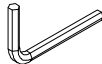
**Step 1:** Fasten the Side rails (3) with the Headboard (1) and Footboard (2) Using bolts (A), washers (C), spring washers (D) and tighten with allen key (G).



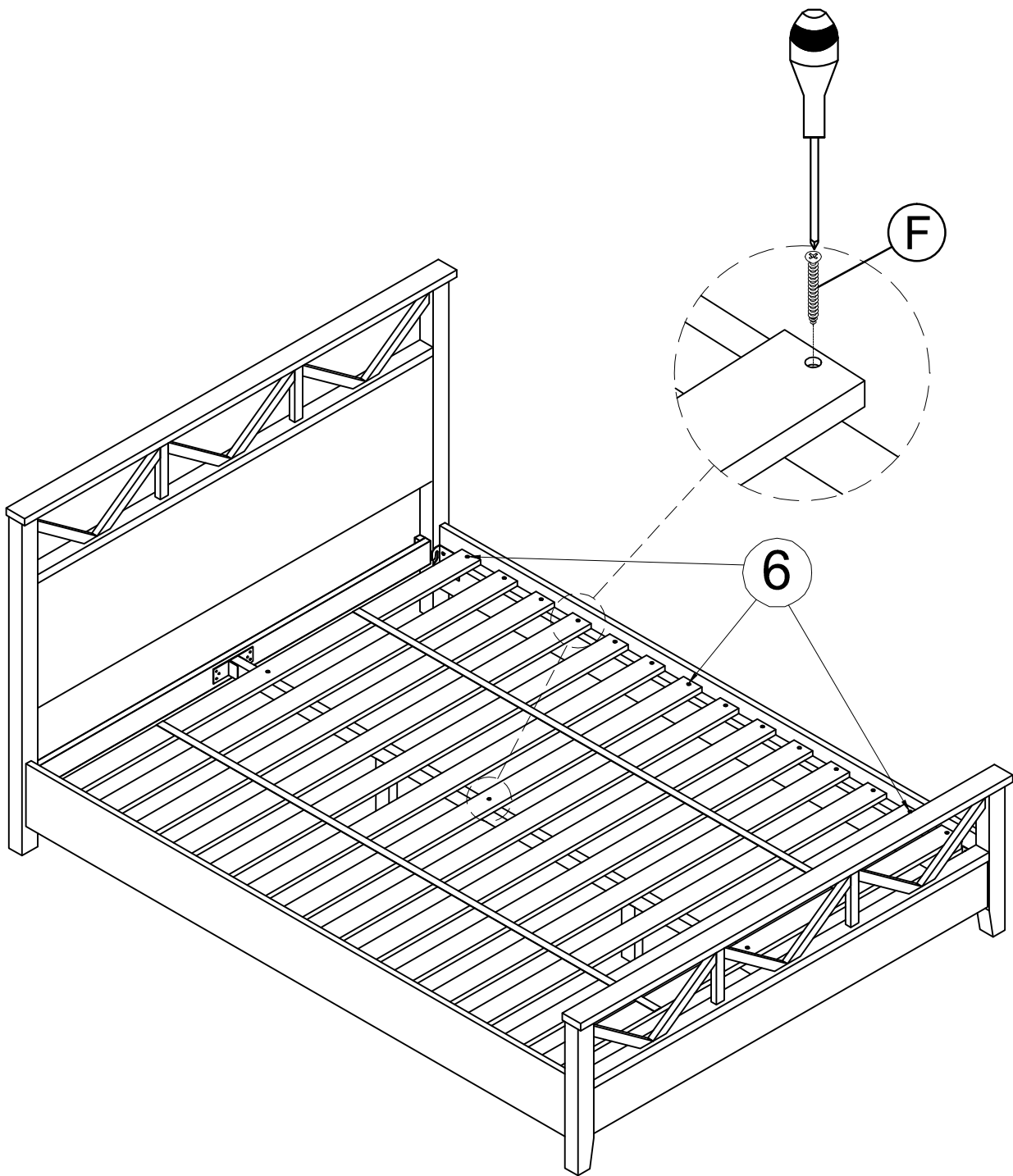
<b>A</b>	BOLT M8x30		8PCS	<b>D</b>	SPRING WASHER Ø8xØ12x1.2		8PCS
<b>C</b>	WASHER Ø8xØ19x2		8PCS	<b>G</b>	ALLEN KEY M4X110		1PC

Step 2: Fasten the support legs (5) with the center rail (4) using bolts (B), dowel (E) and tighten with allen key (G).



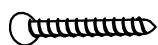
<b>B</b>	BOLT M6x60		2PCS			
<b>E</b>	DOWEL Ø8x30		4PCS	<b>G</b>	ALLEN KEY M4X110	
						1PC

### Step 3: Attach the bed slats (6) to the bed frame with screws (F)



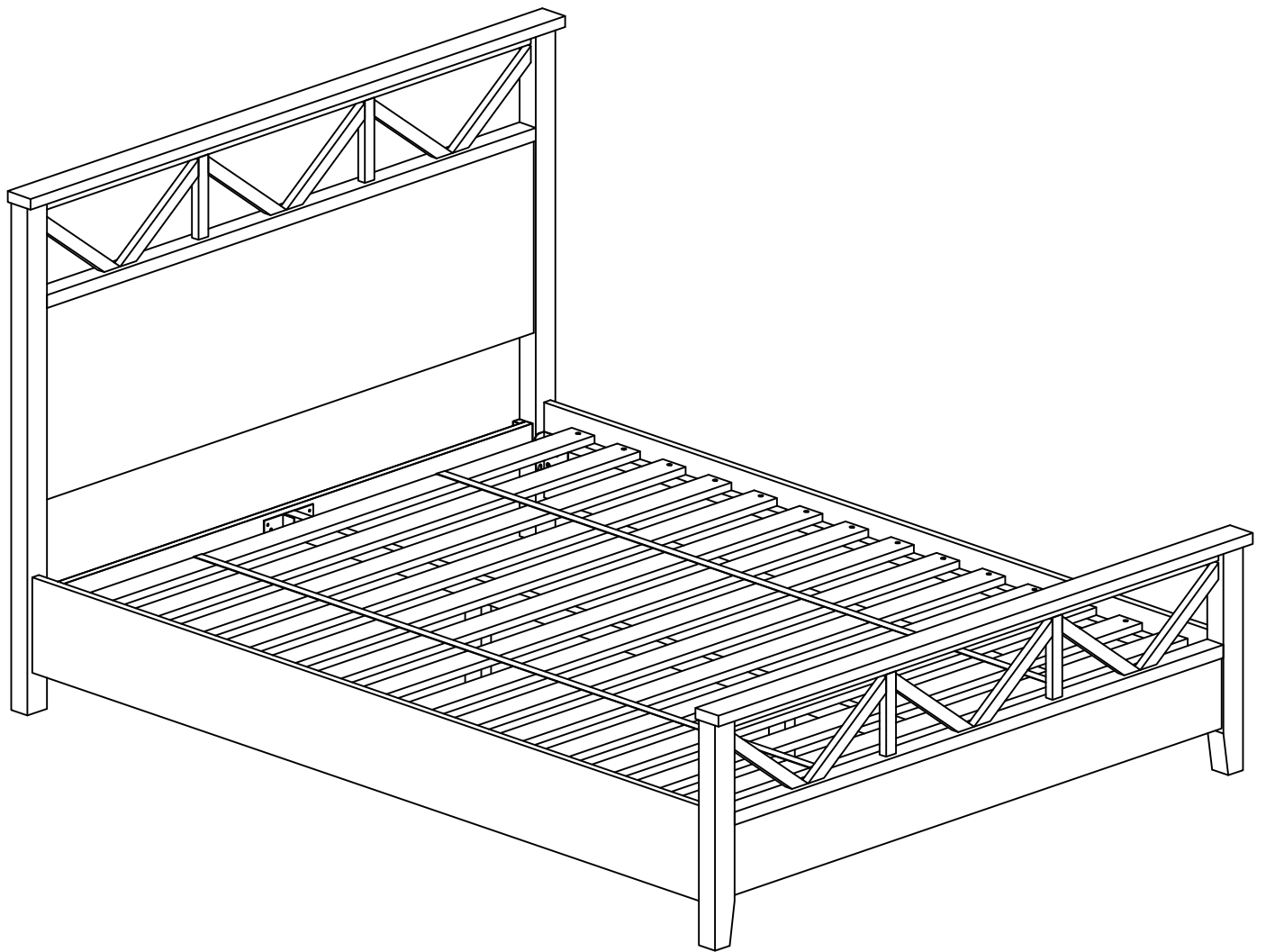
**F**

SCREW  
Ø4X30



31 PCS

# ASSEMBLY COMPLETE



**DO NOT PUSH OR DRAG THIS FURNITURE – IT WILL CAUSE DAMAGE TO THE LEGS**



Product : **CABOS QUEEN BED**

Item Code : **75939**

## Product Care:

As your timber is supplied from sustainable forests there will be natural variations in surface texture and grain like knots, mineral streaks and sap runs that may affect the finish. These differences in character are not defects, but distinctions that make each piece of furniture unique. Our furniture is built to last. Following these steps for basic care should protect your investment for years to come.

- Dust frequently with a clean damp lint-free cloth. This will help remove abrasive build up which can damage a finish over time.
- Do not place hot objects on any furniture surface. Always use a hot plate or placemat. Laminate and lacquer finishes on table tops provide added scratch and heat resistance to our furniture, but they can still be damaged without proper care.
- Avoid exposing your furniture to strong sunlight, heat outlet, open windows or dampness. Prolonged exposure to direct sunlight can fade the finish of your furniture, while extreme temperature and humidity changes can cause cracking or splitting.
- Do not expose your furniture to any liquids. Never allow water to sit on your furniture. Alcohol, nail polish and perfume are also dangerous as they will dissolve the lacquer finish on contact and may require professional repairs.
- Do not allow plastic to come in direct contact with your furniture. Chemicals in the plastic of placemats etc may soften and mark the finish if left in contact with the furniture for a period of time.