

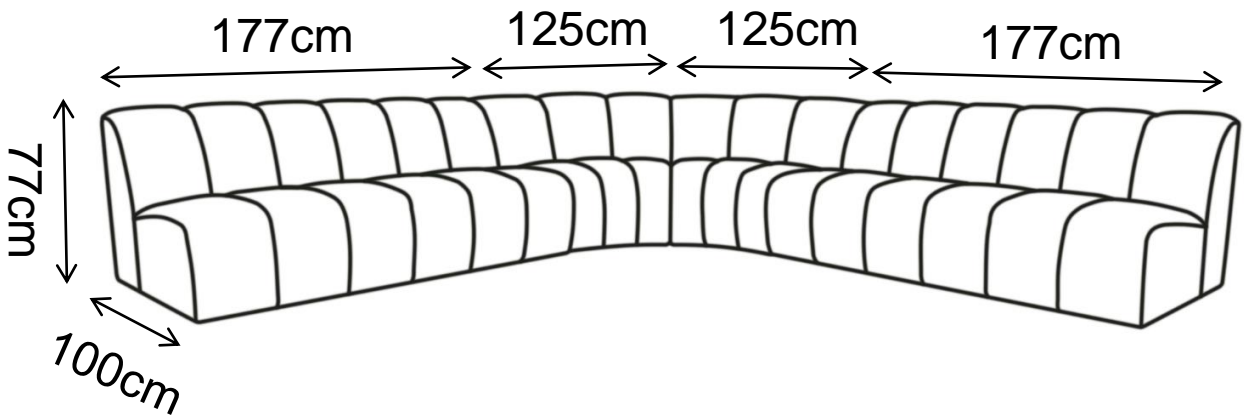


ASSEMBLY INSTRUCTION

KYAH CORNER LOUNGE SUITE

ITEM CODE: **81042**

Imported by Amart Furniture Pty Ltd, Qld, Brisbane Australia.
For any assistance with assembly or for missing parts please phone
Amart Furniture, Customer Service Free call 1800 351 084



Imported by Amart Furniture Pty Ltd, Qld, Brisbane Australia.

For any assistance with assembly or for missing parts please phone
Amart Furniture, Customer Service Free call 1800 351 084

PRE-ASSEMBLY PREPARATION

Before you start:

1. Choose a clean, level and spacious assembly area. Avoid hard surfaces that may damage the product
2. Take care when lifting. Product should be assembled as close as possible to the point of use
3. Ensure that you have all required contents for complete assembly
4. Always read the assembly instructions carefully before beginning assembly
5. Keep all hardware parts and packaging out of reach of small children
6. Do not over tighten the screws and bolts as this may damage the threads





ALLOW **10** MINUTES

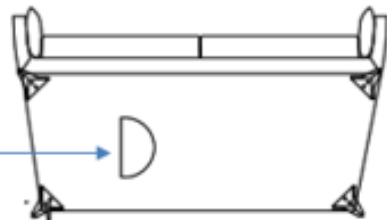


2 PEOPLE REQUIRED

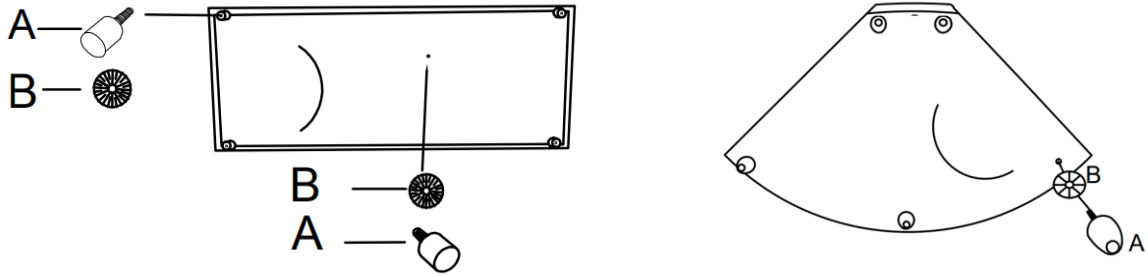
Hardware List:

NO:	Picture	Description	Armless loveseat	Wedge
A	 H:3cm	Leg	5 pcs	5 pcs
B		Washer	5 pcs	5 pcs

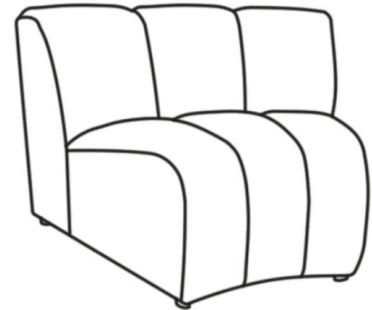
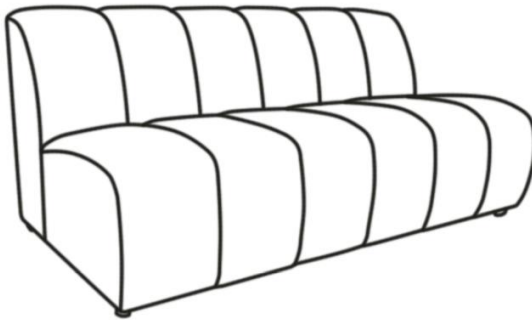
Hardware and
Legs are located
in dust cover
zipper
compartment
underneath



STEP 1: Turn over onto blanket or carpet to ensure no damage to item. To attach the legs (A), use plastic washer (B) and place leg into the centre pre-drilled hole and rotate until tightened securely.



STEP 2: Assembly complete



IMPORTANT: PLEASE ENSURE FEET ARE TIGHTENED SECURELY BEFORE USE!
WARNING – Do not drag lounge on any surface due to timber base, must be lifted.
Two person Lift Recommended

PILLING:

Congratulations on your new lounge featuring a cozy knit fabric! To ensure its longevity and beauty, it's essential to understand pilling and how to maintain your investment. Pilling is the natural formation of small fabric balls caused by friction during use, especially in knit fabrics. Expect some initial pilling, which will diminish over time. To maintain your lounge's appearance, regularly use an electric pill remover to gently remove any pills. With proper care, your knit lounge will remain a luxurious and inviting centrepiece for years to come!

PILLING MAINTENANCE:

Pilling is a natural occurrence in woven fabrics and is not a product fault. You can maintain your sofa by the use of a battery operated de-pilling machine as the need arises.

CLEANING:

- Do not remove cushion covers for separate cleaning even though they may have zippers
- Do not wash, Do not dry clean, Do not shampoo clean
- Clean with hot water extraction machine. Professional cleaning recommended
- Do not use dishwashing liquid or laundry detergent
- Use only upholstery detergents
- Do not wet filling
- Dry in shade away from direct heat and sunlight
- Allow to dry thoroughly before re-use

SPOT CLEANING:

- Do not rub
- Do not spot clean with any solvent
- Treat spills and stains as soon as possible
- Gently scrape off any soil or mop any liquid from the surface or the fabric
- Apply proprietary cleaning agents strictly according to instructions to remove the residue of the spill
- Do not saturate the fabric or interior with water or other cleaning liquids

WARNING:

Apply only water-based soil resist (fabric protection) treatments. Do not use aerosol products.

*PILLING IS NOT A FABRIC DEFECT OR FAULT AND IS NOT COVERED BY WARRANTY

*PILLING IS A NORMAL OCCURRENCE CAUSED BY WEAR AND TEAR AND DOES NOT

AFFECT THE DURABILITY OR FUNCTIONALITY OF THE FABRIC AND IS EASILY REMOVED.

Care Instructions for Feather-Filled Cushions:

Fluff and Shake: Regularly fluff and shake your feather-filled cushions to maintain their loft and restore their shape. This helps redistribute the feathers evenly and prevents them from clumping together. If the cushion looks flat, it's time to fluff it.

Rotate and Reverse: Rotate and reverse the cushions frequently to ensure even wear and tear. This helps prevent one side from flattening more quickly than the other.

Protect from Direct Sunlight: Avoid placing feather-filled cushions in direct sunlight for prolonged periods. Exposure to direct sunlight can cause the fabric to fade and the feathers to become brittle.

Avoid Moisture: Keep feather-filled cushions away from moisture and damp areas. Moisture can lead to the growth of mould or mildew, which can damage the feathers and create unpleasant odours.

Gentle Spot Cleaning: If a spill or stain occurs on the cushion, attend to it promptly. Blot the affected area with a clean, absorbent cloth or sponge, using a mild detergent or an approved Amart upholstery cleaner suitable for feather-filled products. Avoid rubbing, as this can push the stain deeper into the fabric.

Professional Cleaning: Periodically, it is recommended to have your feather-filled cushions professionally cleaned. Professional cleaners have the expertise and equipment to effectively clean and refresh the cushions without damaging the feathers or fabric.

Remember, following these care instructions will help maintain the longevity and comfort of your feather-filled cushions, ensuring that they continue to provide you with cozy and luxurious seating for years to come.

Note:- Sometimes feathers may work their way out of the fabric casing. This is normal and not a manufacturing fault.