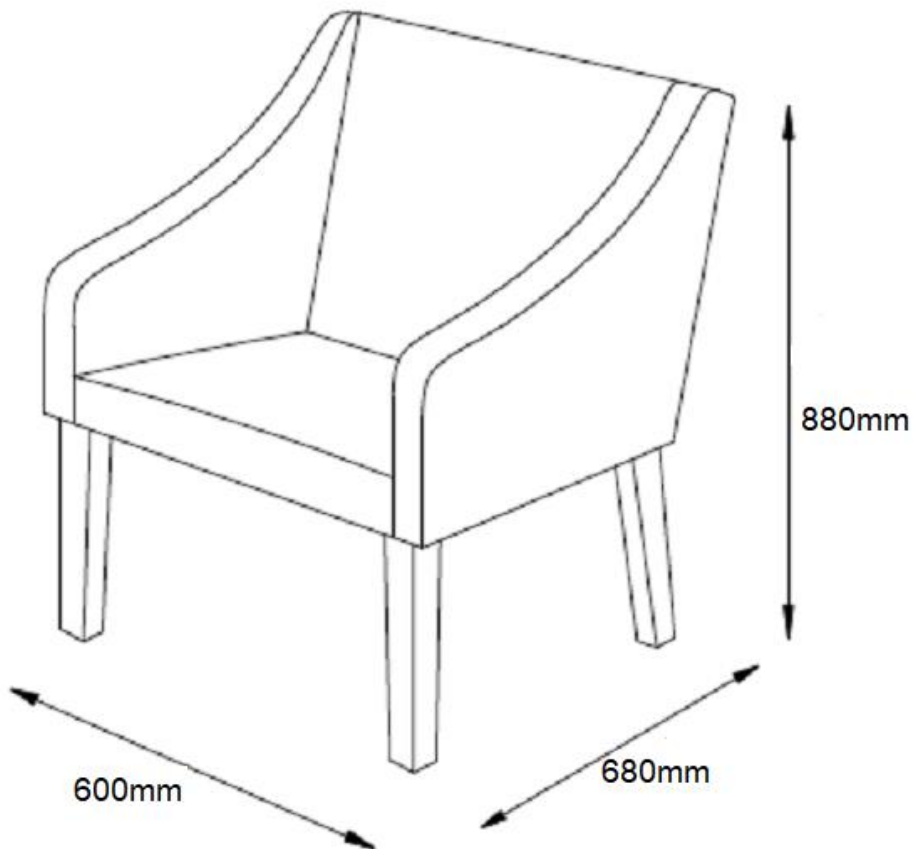




ASSEMBLY INSTRUCTION
VOLANTE DINING CHAIR
ITEM CODE 79590/79591

SIGNATURE

— COLLECTION —

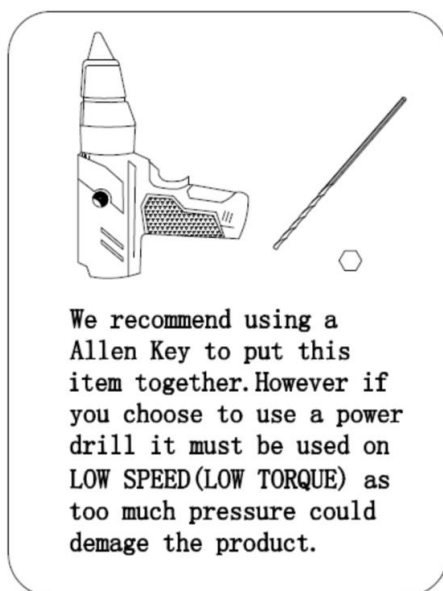
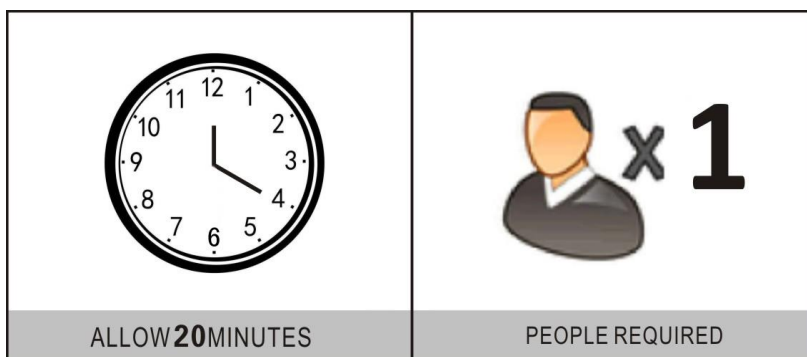


Imported by Amart Furniture Pty Ltd, Qld, Brisbane Australia.
For any assistance with assembly or for missing parts please phone
Amart Furniture, Customer Service Free call 1800 351 084

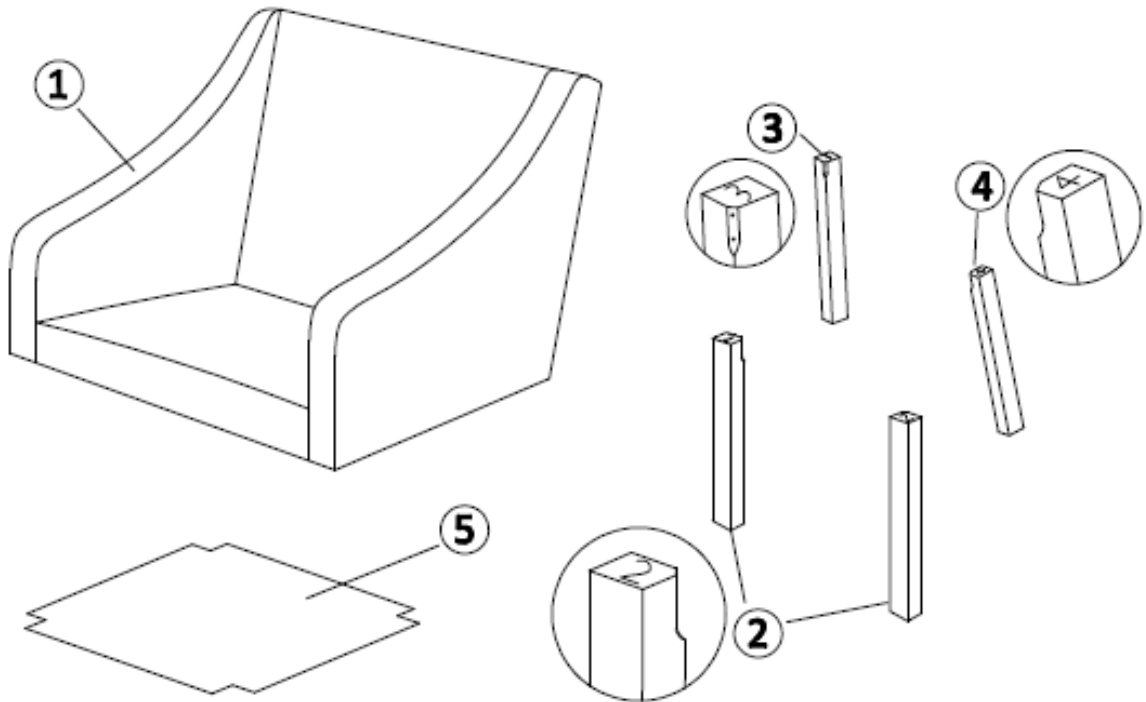
PRE-ASSEMBLY PREPARATION

Before you start:




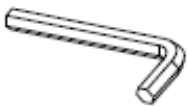
1. Choose a clean, level, spacious assembly area. Avoid hard surfaces that may damage the product
2. Take care when lifting. Product should be assembled as near as possible to the point of use
3. Ensure that you have all required contents for complete assembly
4. Always read the assembly instructions carefully before beginning assembly.
5. Keep all hardware parts and packaging out of reach of small children.
6. Do not over tighten the screws and bolts as this may damage the threads



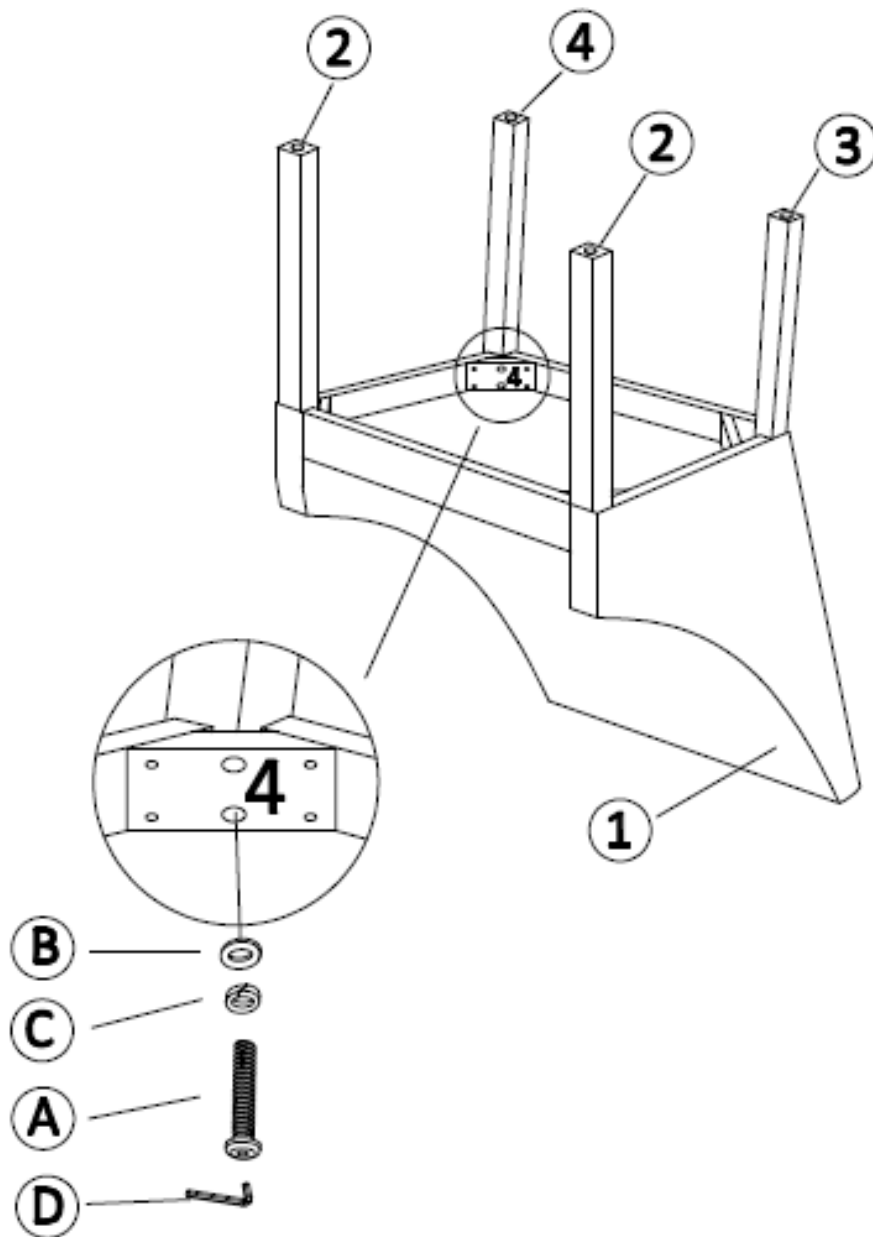
PARTS LIST



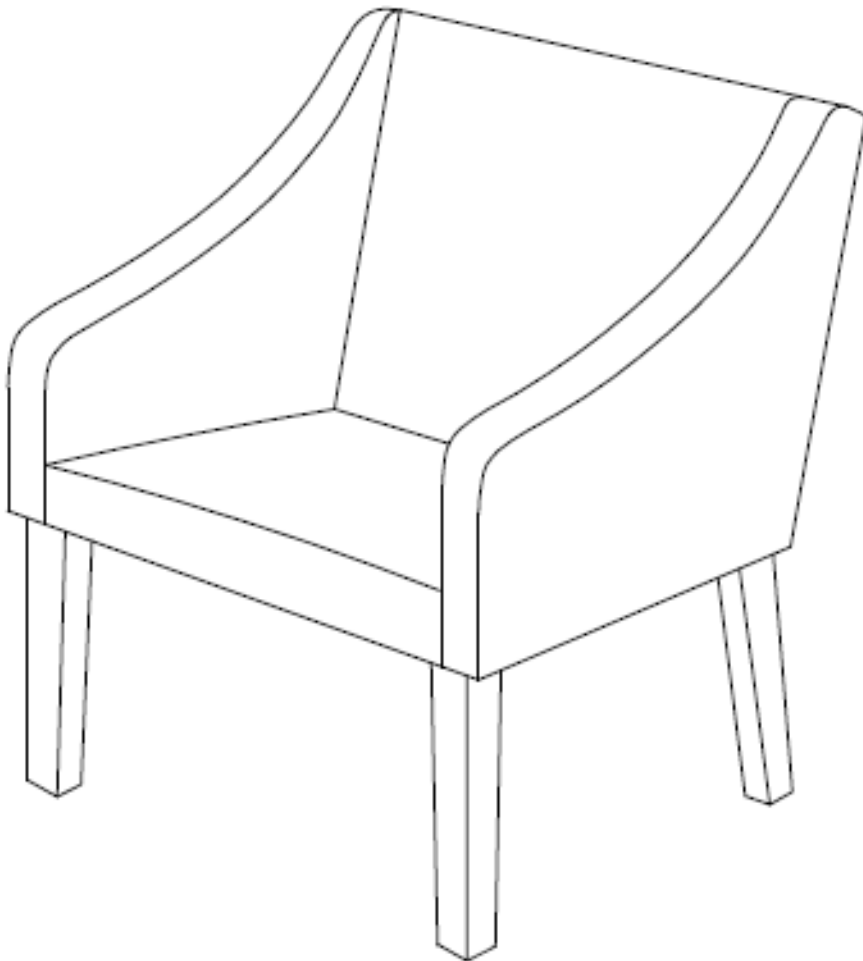
1	SEAT PART WITH "2" "2" "3" "4" ON EACH CORNER BLOCK
2	FRONT LEGS WITH "2" ON THE TOP AND FOOT NAIL ON THE BOTTOM
3	BACK LEG WITH "3" ON THE TOP AND FOOT NAIL ON THE BOTTOM
4	BACK LEG WITH "4" ON THE TOP AND FOOT NAIL ON THE BOTTOM
5	BASE FABRIC

<p>A. BOLT 1/4"X50MM</p>  <p>8PCS</p>	<p>B. FLAT WASHER</p>  <p>8PCS</p>	<p>C. LOCK WASHER</p>  <p>8PCS</p>	<p>D. ALLEN KEY</p>  <p>1PCS</p>
--	---	---	---

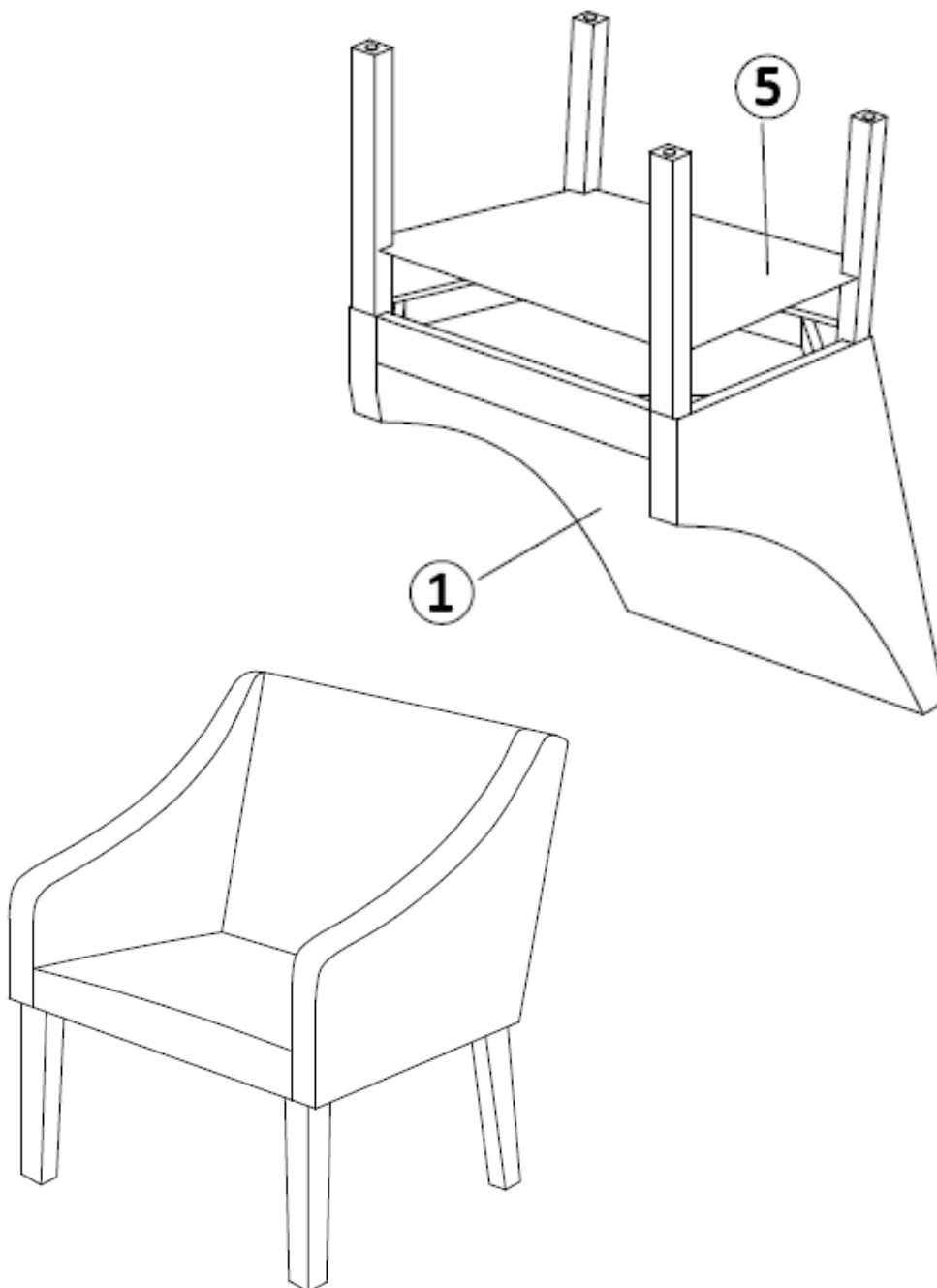
STEP1 Assemble bolts (A), lock washer (C) and flat washer (B) through each corner block of the seat part(1) to the front legs(2) and back legs(3)&(4) with AlleyKey(D).
Please note to match the number on each leg and each corner block.
Do not tighten the bolts at this point in time.



STEP2 Carefully turn the chair over, and put the chair on the floor. Tighten each loose bolt a little at a time while making sure the chair remains level. Repeat until all loose bolts are tight.



STEP3 Assemble the base fabric (5) to the seat part(1).
Then carefully turn the chair over.



ASSEMBLY IS COMPLETE

Care and maintenance

REGULAR CARE:

- Protect from direct sunlight
- Vacuum regularly using low suction
- Rotate reversible cushions regularly

CLEANING:

- Do not remove cushion covers for separate cleaning even though they may have zippers
- Do not wash , Do not dry clean , Do not shampoo clean
- Clean with hot water extraction machine. Professional cleaning recommended
- Do not use dishwashing liquid or laundry detergent
- Use only upholstery detergents
- Do not wet filling
- Dry in shade away from direct heat and sunlight
- Allow to dry thoroughly before re-use

SPOT CLEANING:

- Do not rub
- Do not spot clean with any solvent
- Treat spills and stains as soon as possible
- Gently scrape off any soil or mop any liquid from the surface of the fabric
- Apply proprietary cleaning agents strictly according to instructions to remove the residue of the spill
- Do not saturate the fabric or interior with water or other cleaning liquids

WARNING:

Apply only water-based soil resist (fabric protection) treatments. Do not use aerosol products

- * PILLING IS NOT A FABRIC DEFECT OR FAULT AND IS NOT COVERED BY WARRANTY
- * PILLING IS A NORMAL OCCURRENCE CAUSED BY WEAR AND TEAR AND DOES NOT AFFECT THE DURABILITY OR FUNCTIONALITY OF THE FABRIC AND IS EASILY REMOVED

Do not:

- Use chair/stool as a ladder
- Climb on the chair/stool
- Stand on the foot-rest of the chair, as this could lead to the stool becoming unbalanced and overturning