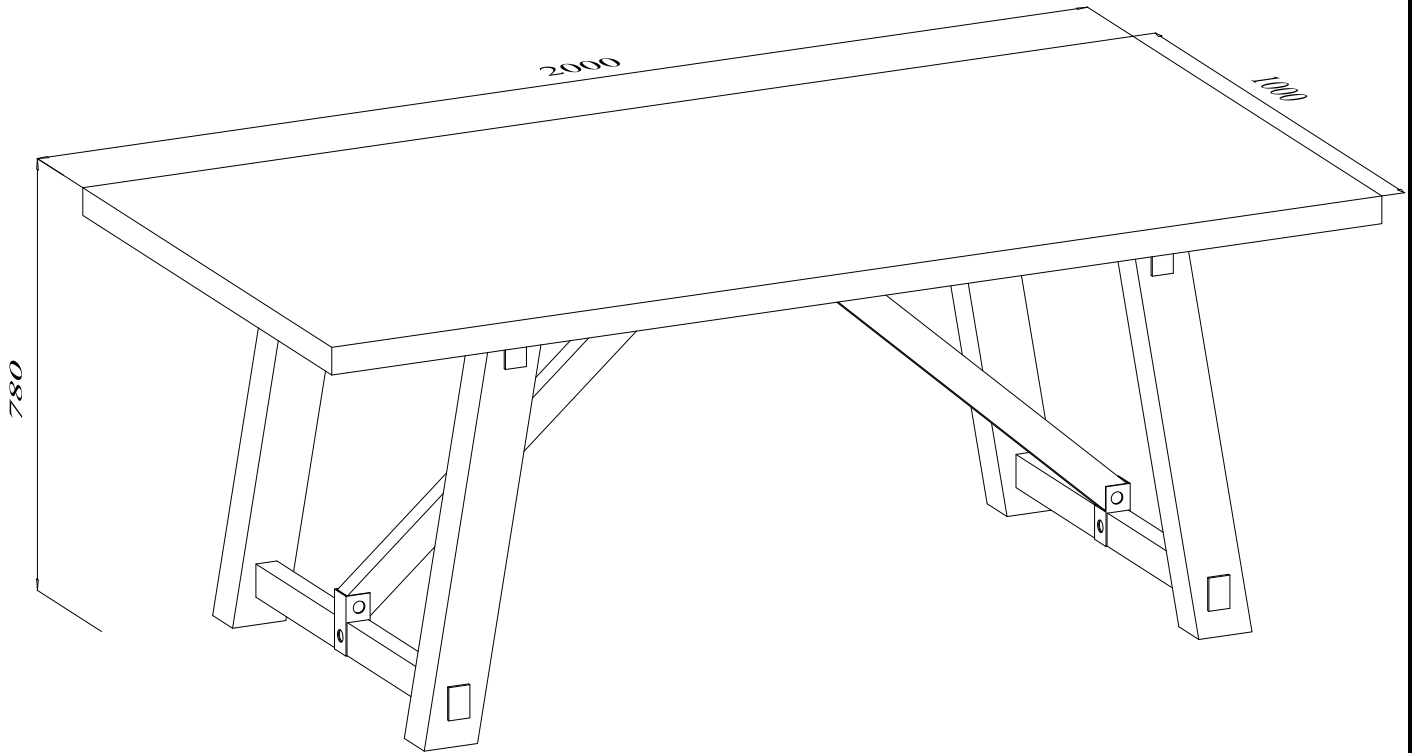




ASSEMBLY INSTRUCTION
NORTH QUAY-2000 DINING TABLE
ITEM CODE 58260

Imported by Amart Furniture Pty Ltd, Qld, Brisbane Australia.
For any assistance with assembly or for missing parts please phone
Amart Furniture Ewing Road, Customer Service Free call 1800 351 084

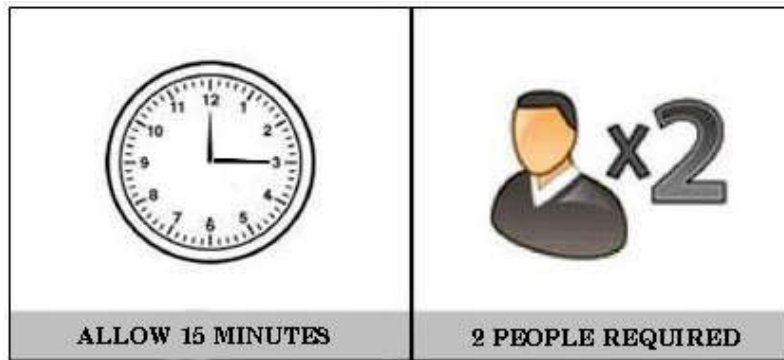


Imported by Amart Furniture Pty Ltd, Qld, Brisbane Australia.
For any assistance with assembly or for missing parts please phone
Amart Furniture Ewing Road, Customer Service Free call 1800 351 084

PRE-ASSEMBLY PREPARATION

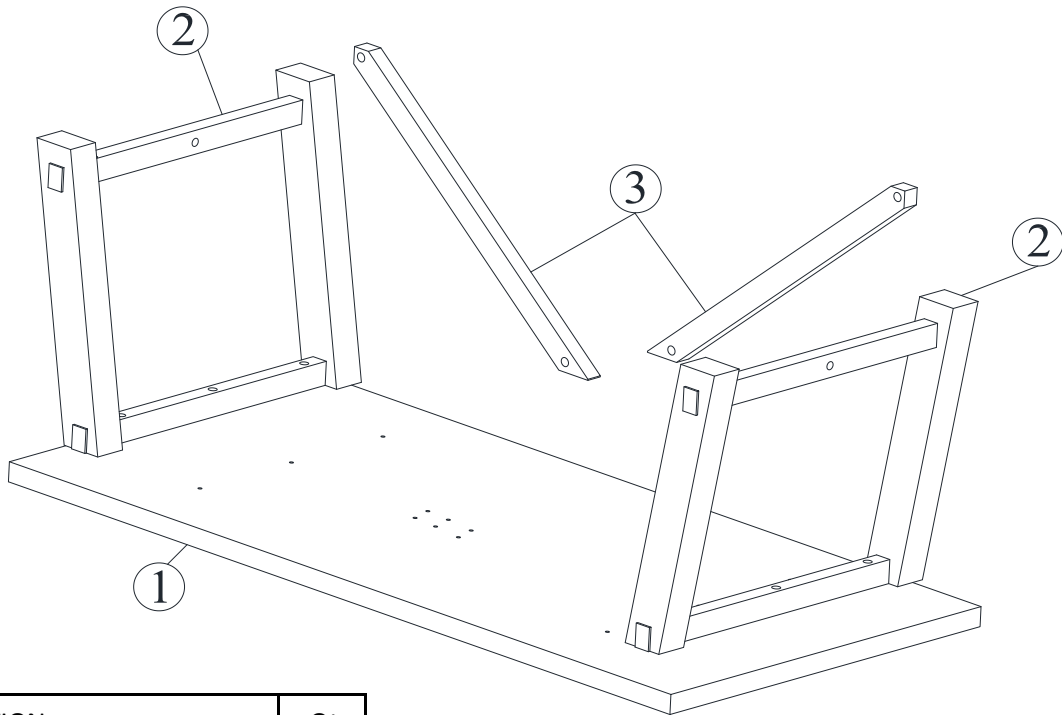
Before you start:

1. Choose a clean, level, spacious assembly area. Avoid hard surfaces that may damage the product
2. Take care when lifting. Product should be assembled as near as possible to the point of use
3. Ensure that you have all required contents for complete assembly
4. Always read the assembly instructions carefully before beginning assembly.
5. Keep all hardware parts and packaging out of reach of small children.
6. Do not over tighten the screws and bolts as this may damage the threads

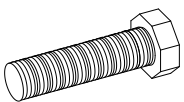
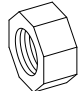





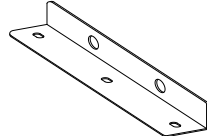
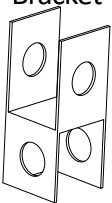
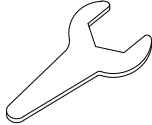


Important: Please tighten the screw Lightly by hand. Do not use a drilling Machine or excessive force to avoid Damaging the concrete top.

PARTS LIST

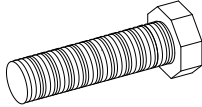
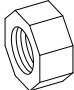
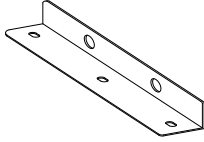
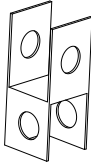



NO	DESCRIPTION	Qty
1	TABLE TOP	1
2	LEG	2
3	CENTRE SUPPORT RAIL	2

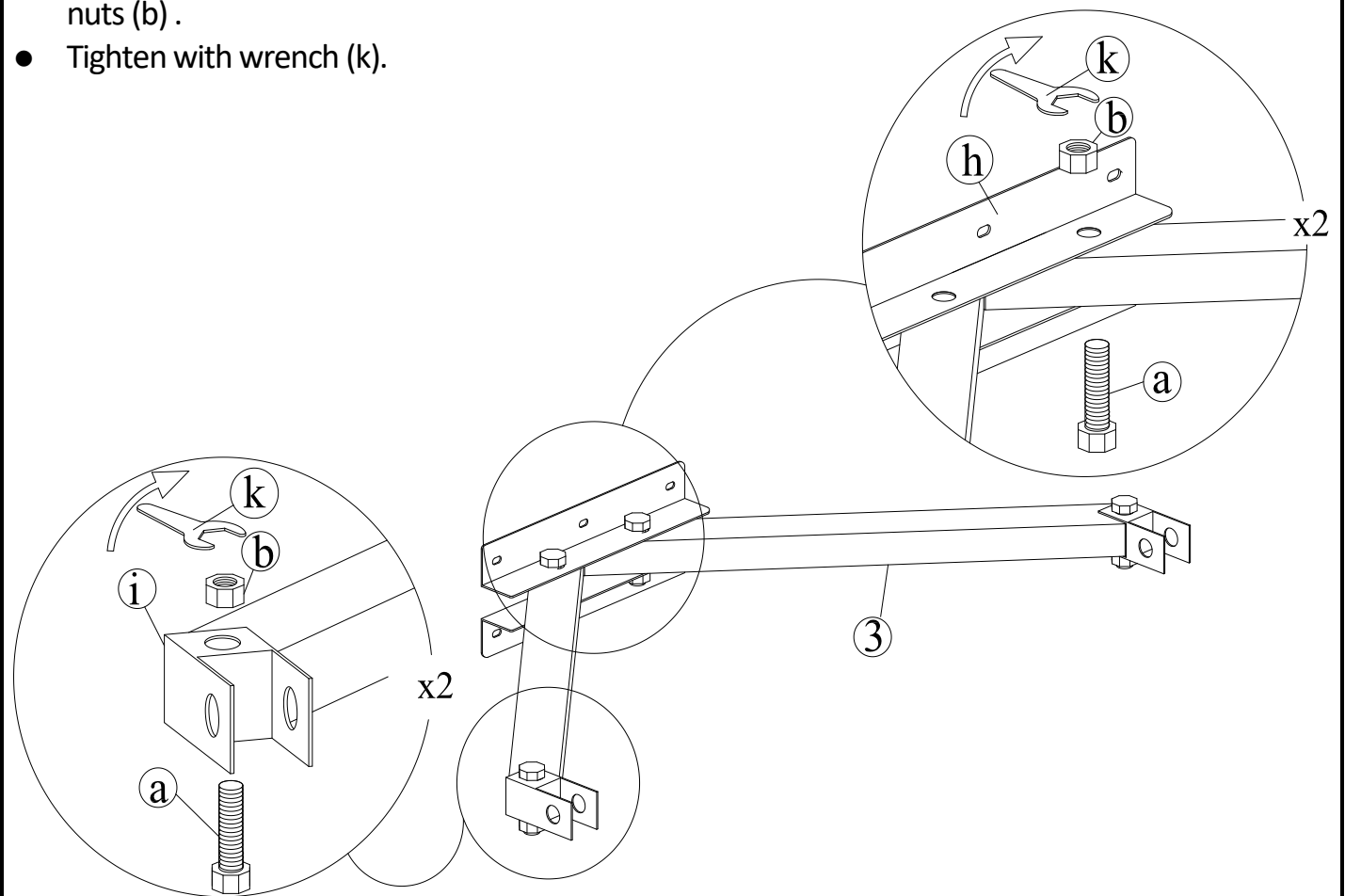
<p>a. Bolt (M20x60)</p>  <p>6pcs</p>	<p>b. Hexagon nut (M20xΦ15)</p>  <p>6pcs</p>	<p>c. Bolt M6x60</p>  <p>6pcs</p>	<p>d. Bolt M6x20</p>  <p>6pcs</p>
<p>e. Flat Washer (Φ6.5xΦ19)</p>  <p>12pcs</p>	<p>f. Lock Washer (Φ6.5xΦ9)</p>  <p>12pcs</p>	<p>g. Allen key M4</p>  <p>1pc</p>	<p>h. Centre bracket</p>  <p>2pcs</p>
<p>i. Bracket</p>  <p>2pcs</p>	<p>k. Wrench M30mm</p>  <p>1pc</p>		

1

ITEMS REQUIRED





a. Bolt (M20x60)  4pcs	b. Hexagon nut (M20xΦ15)  4pcs	h. Centre bracket  2pcs	i. Bracket  2pcs
k. Wrench M30mm  1pc			

- Attach centre brackets (h) and brackets (i) to the centre support rail (3) with bolts (a), hexagon nuts (b).
- Tighten with wrench (k).

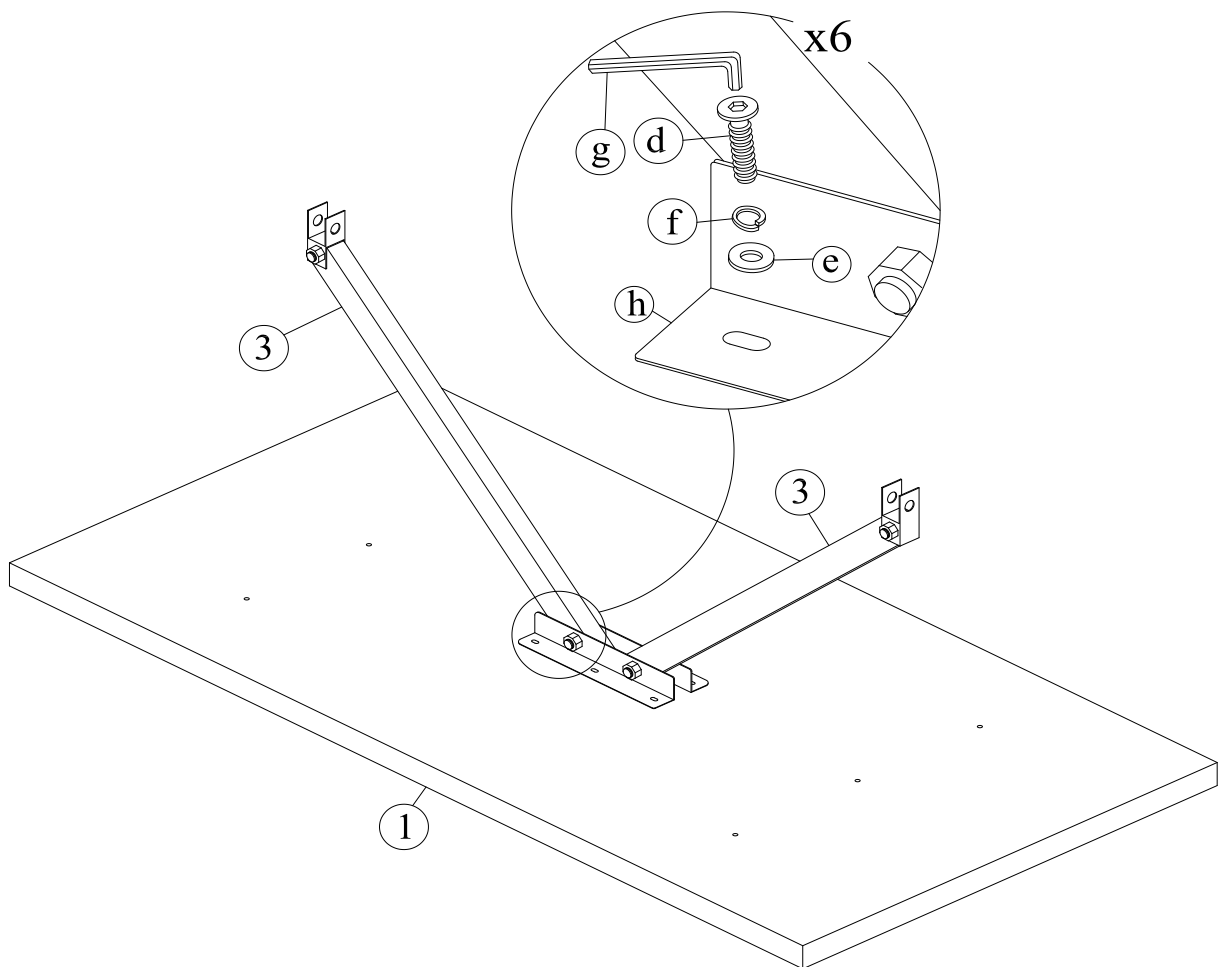


2

ITEMS REQUIRED

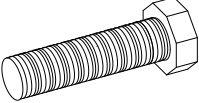
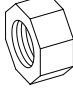
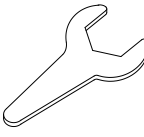
d. Bolt M6x20  6pcs	e. Flat Washer (Φ6.5xΦ19)  6pcs	f. Lock Washer (Φ6.5xΦ9)  6pcs	g. Allen key M4  1pc
--	--	---	---

- Attach the centre brackets (h) to the top table (1) with bolts (d), flat washer (e), lock washer (f).
- Tighten with Allen key (g).

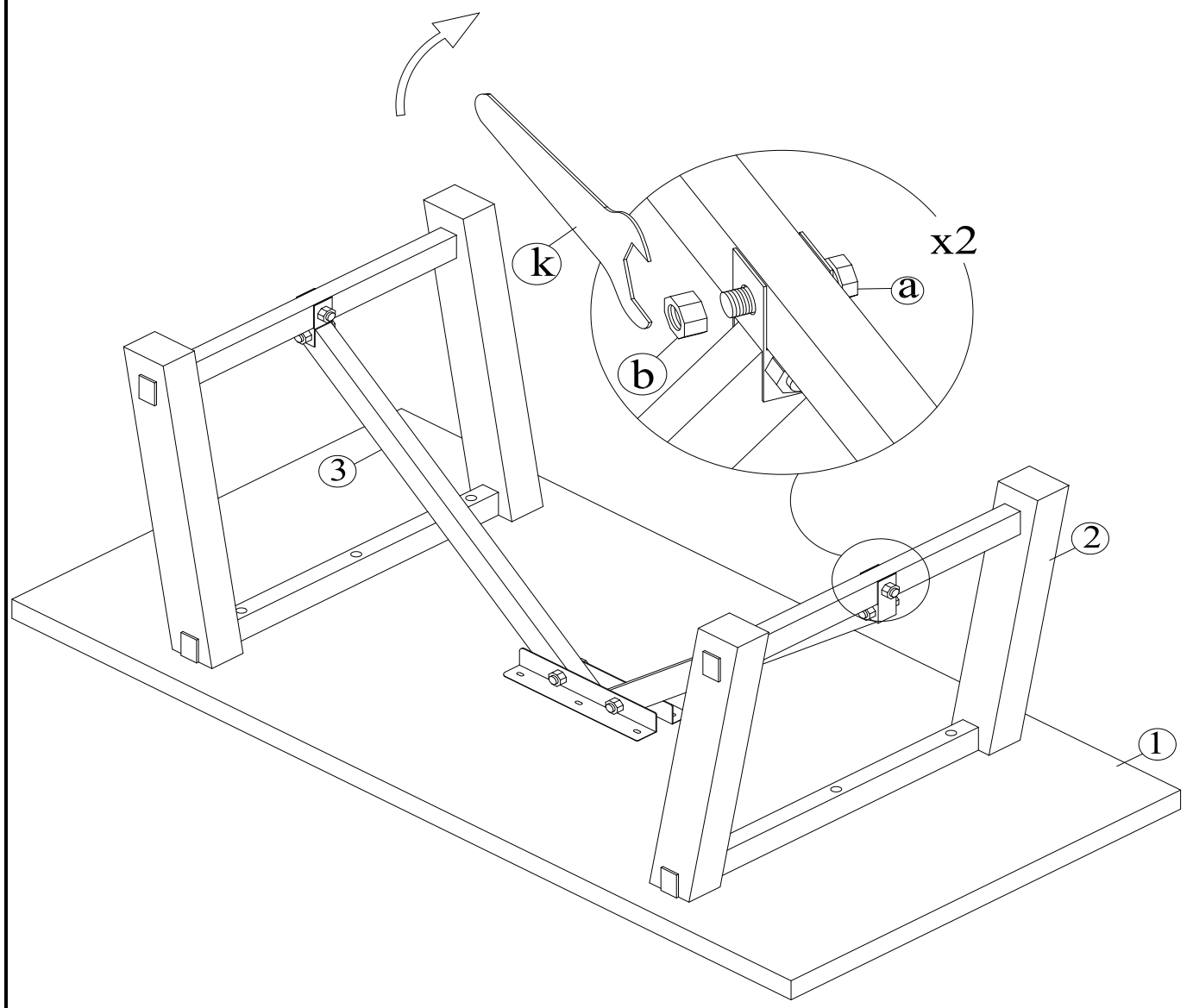


3





ITEMS REQUIRED

a. Bolt (M20x60)  4pcs	b. Hexagon nut (M20xΦ15)  4pcs	k. Wrench M30mm  1pc
---	---	---

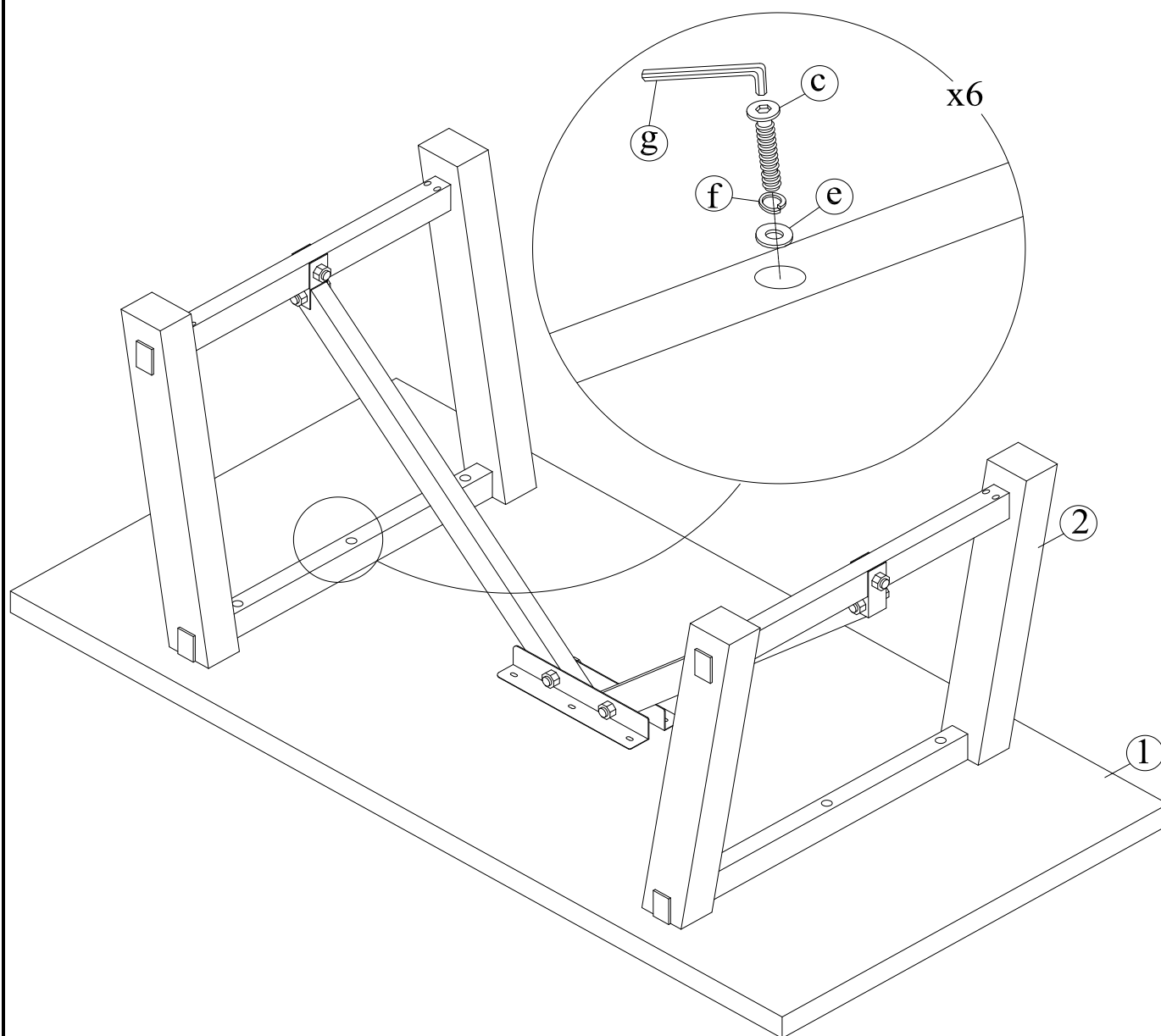
- Attach the centre support rail (3) to the Leg (2) with bolts (a), Hexagon nut (b)
- Tighten with Wrench (k).



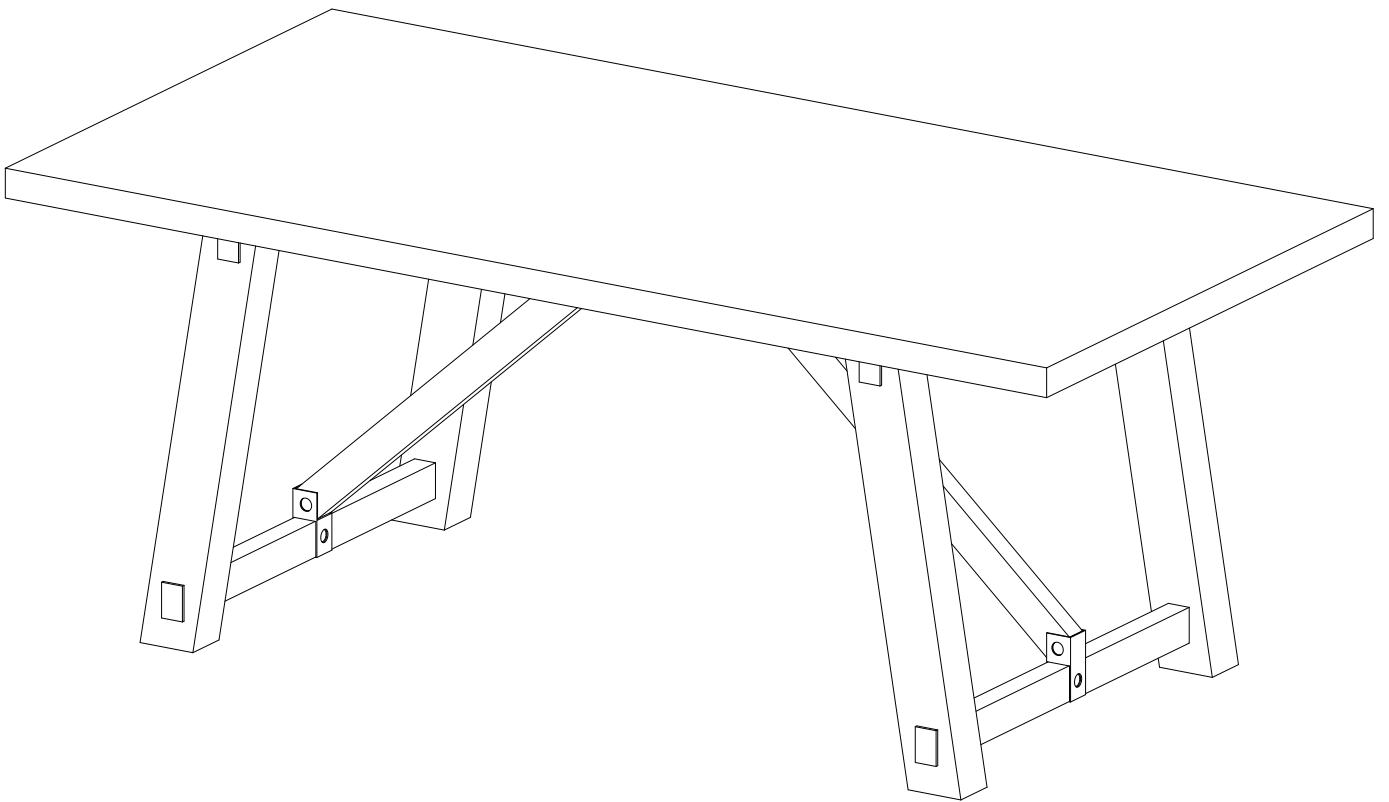
4 ITEMS REQUIRED

c. Bolt M6x60  6pcs	e. Flat Washer (Φ6.5xΦ19)  6pcs	f. Lock Washer (Φ6.5xΦ9)  6pcs	g. Allen key M4  .pc
--	--	--	---

- Attach the Leg to the top table (1) with bolts (c), flat washer (e), lock washer (f).
- Tighten with Allen key (g).
- Need 2 people to turn table back over with care.



ASSEMBLY IS COMPLETE





Care and maintenance of legs

- A multi-step finish is applied to all our furniture, but all wood comes from nature. Because of this, there will be natural variations in surface texture and grain like knots, mineral streaks and sap runs that may affect the finish. These differences in character are not defects, but distinctions that make each piece of furniture unique.
- Our furniture is built to last. Following these steps for basic care should protect your investment for years to come.
- Dust frequently with a clean damp lint-free cloth. This will help remove abrasive build up which can damage a finish over time.
- Avoid exposing your furniture to strong sunlight, heat outlet, open windows or dampness. Prolonged exposure to direct sunlight can fade the finish of your furniture, while extreme temperature and humidity changes can cause cracking or splitting.
- Do not expose your furniture to any liquids. Never allow water to sit on your furniture. Alcohol, nail polish and perfume are also dangerous as they will dissolve the lacquer finish on contact and may require professional repairs.
- **Do not use this product outside.**

Care And Maintenance Of Concrete

1. PROTECT THE SURFACE

- 1.1 This product is concrete fiber. Never drop or drag to move this product, as doing this may cause it to break and shatter.
- 1.2 Do not place hot objects directly onto the top. The use of coasters or place mats is recommended. any sauce, coffee, tea on top should be cleaned within one hours.
- 1.3 Keep away from sharp objects. All ornaments placed on concrete surface must have protection under to avoid scratches.
- 1.4 This product may not break immediately, but if mishandled can crack at a later period
- 1.5 Cleaning:

Our lightweight concrete tops are made of cement, fiberglass and water and are naturally poured. We have sealed it with a wax sealer to ensure the lasting beauty of the concrete surfaces. Clean by dish soap and water. Don't use strong highly acidic, it can damage natural materials.



- 1.6 Regular Maintenance: Re-wax periodically every 3 to 6 months with a clear wax or any available Stone floor wax on paraffin base.
- 1.7 Possible hairline expansion and contraction lines and avoiding Stains: Concrete is a natural live material and non-structural hairline expansion lines may appear as a result from shrinkage, expansion and the natural curing process. These are not considered defects but rather part of the natural beauty and maturing of concrete. The concrete tops will maintain their overall strength even if these do appear, as they are only present in the very thin top layer of the concrete top. If they appear, just apply a bit of wax and rub in well to prevent moisture from seeping into the hairline and cause discoloration.

2. COLOR DIFFERENCES:

Natural variation in color (from lighter to darker grey), texture, and porosity will occur and is considered inherent and valued qualities of the material.