

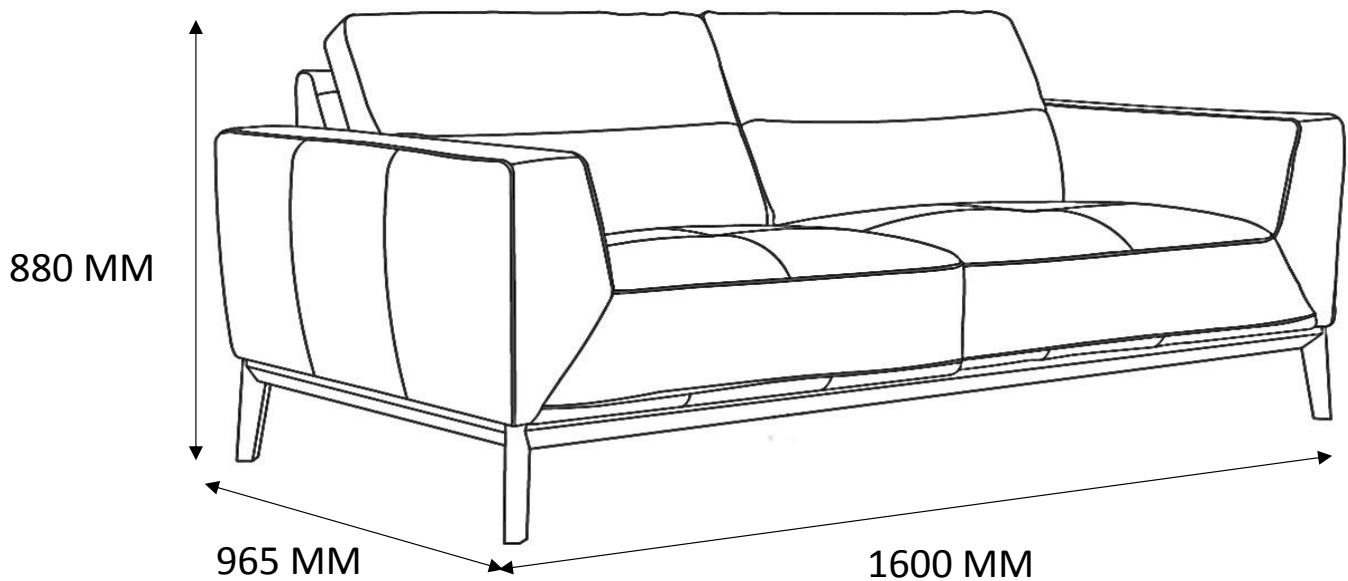
ASSEMBLY INSTRUCTION

Amart
Furniture

NIARA 2 SEATER

ITEM CODE - 75437

Imported by Amart Furniture Pty Ltd, Qld, Brisbane Australia.
For any assistance with assembly or for missing parts please
phone Amart Furniture, Customer Service Free call 1800 351 084



Imported by Amart Furniture Pty Ltd, Qld, Brisbane Australia.
For any assistance with assembly or for missing parts please phone
Amart Furniture, Customer Service Free call 1800 351 084

PRE-ASSEMBLY PREPARATION

BEFORE YOU START...

1. CHOOSE A CLEAN, LEVEL, SPACIOUS ASSEMBLY AREA. AVOID HARD SURFACES THAT MAY DAMAGE THE PRODUCT.
2. TAKE CARE WHEN LIFTING. PRODUCT SHOULD BE ASSEMBLED AS NEAR AS POSSIBLE TO THE POINT OF USE.
3. CHECK AND ENSURE THAT YOU HAVE ALL THE REQUIRED CONTENTS FOR COMPLETE ASSEMBLY.
4. ALWAYS READ THE ASSEMBLY INSTRUCTIONS CAREFULLY BEFORE BEGINNING ASSEMBLY.
5. THE PACKAGING AND CONTENTS CAN BE CHOKING HAZARDS, THEREFORE KEEP OUT OF REACH OF SMALL CHILDREN AT ALL TIMES.
6. DO NOT OVER TIGHTEN THE SCREWS AND BOLTS AS THIS MAY DAMAGE THE THREADS.

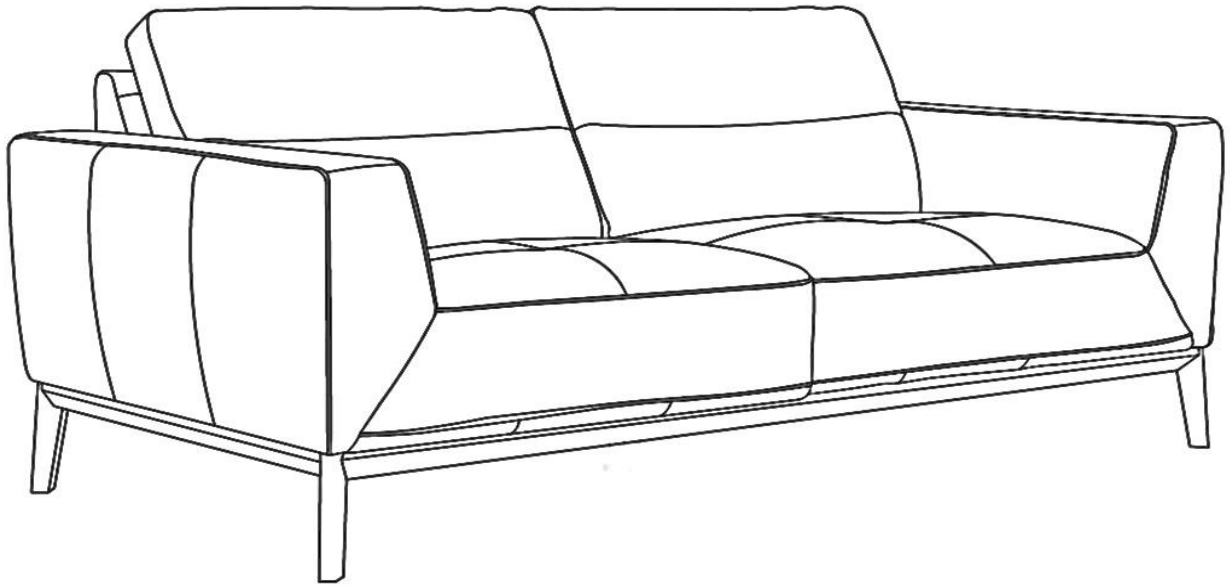


ALLOW 20 MINUTES








2 PEOPLE REQUIRED

PARTS LIST

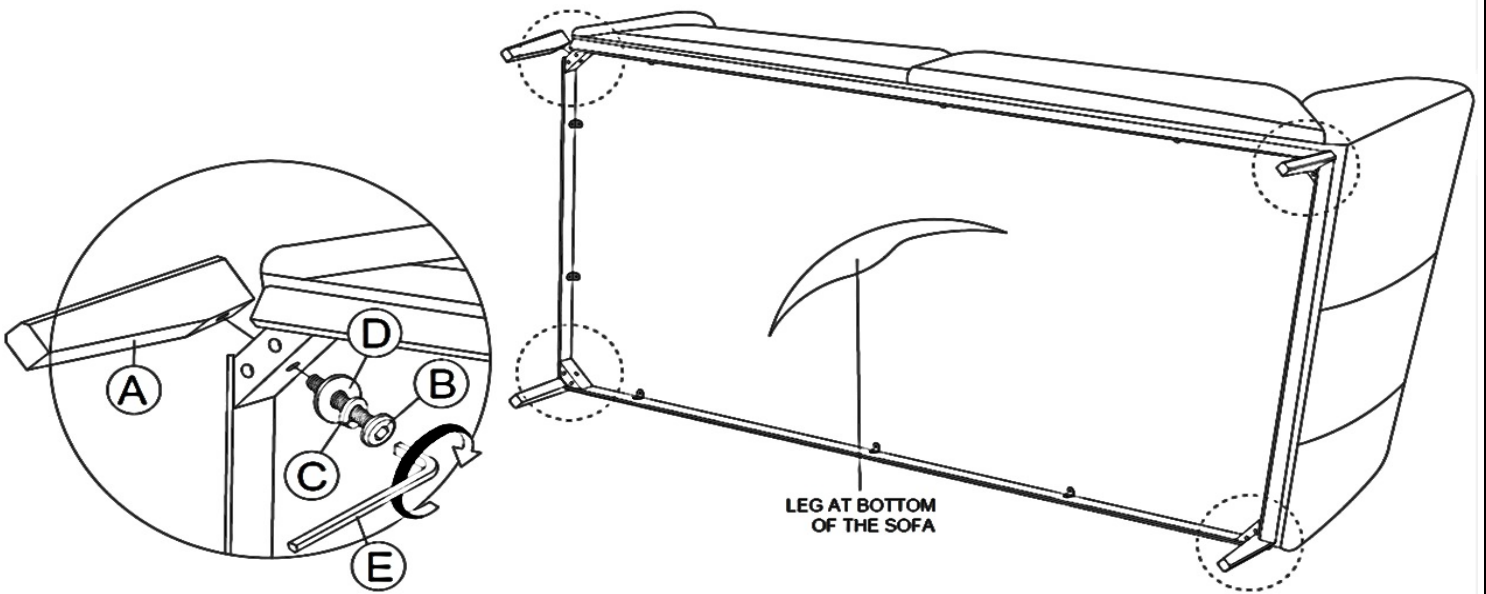


HARDWARE LIST

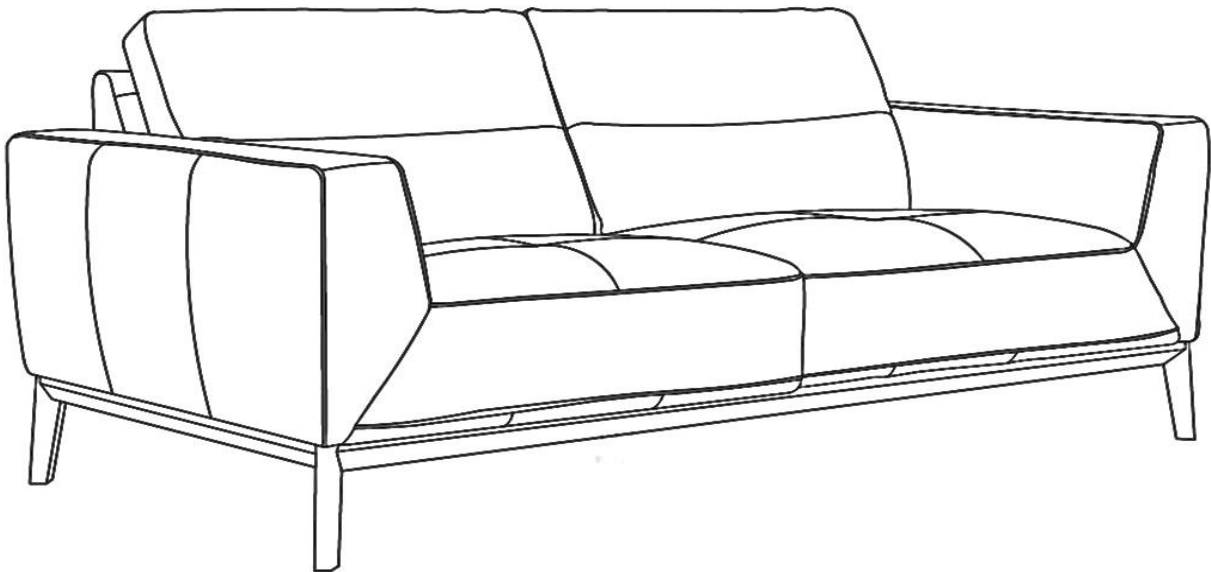
NO.	DESCRIPTION		QTY
A	LEG		4 PCS
B	JCBB M8 X 60MM		4 PCS
C	SPRING WASHER		4 PCS
D	FLAT WASHER		4 PCS
E	ALLEN KEY M5		1 PC

PLEASE TAKE NOTE: PIECES REQUIRED FOR ASSEMBLY ARE LOCATED INSIDE THE DUST COVER UNDERNEATH SOFA

Step 1 DETAILS (i) - Align base plate of each leg (A) with the pre-threaded holes in the undersides of the sofa as shown in the below diagram. Insert bolt (B) through washers (C)(D) and tighten by turning clockwise using allen key (E).



ASSEMBLY COMPLETED



IMPORTANT: PLEASE ENSURE LEGS ARE TIGHTENED SECURELY BEFORE USE!
WARNING - Do not drag lounge on any surface due to timber base, must be lifted.
Two Person Lift Recommended

CARE AND MAINTENANCE

LEATHER CARE (FRAME)

WHEN NECESSARY BRUSH OR VACUUM AWAY DUST AND GRIT.
WIPE OVER WITH A SOFT, CLEAN, COLOURFAST CLOTH.

FOR SPOTS AND SPILLS:

- WIPE EXCESS LIQUID UP IMMEDIATELY WITH AN ABSORBENT CLOTH OR SPONGE

FOR OVERALL CLEANING:

- WE RECOMMEND CLEANING EVERY 3-4 MONTHS WITH LEATHER CLEANER FOLLOWED BY APPLICATIONS OF LEATHER PROTECTOR
- ALWAYS FOLLOW DIRECTIONS ON PACKS

NOTES:

- ACCUMULATION OF PERSPIRATION AND BODY OILS ON ARM PADS, HEADRESTS, ETC. MAY DAMAGE YOUR LEATHER. THESE AREAS MAY REQUIRE MORE FREQUENT CLEANING.
- DO NOT EXPOSE LEATHER TO DIRECT SUNLIGHT, INTENSIVE HEAT, WEATHER OR SOAK UNNECESSARILY. ALWAYS AVOID EXCESSIVE HARD RUBBING.
- DO NOT DRY CLEAN OR MACHINE WASH.
- DO NOT USE SADDLE SOAP; DETERGENTS; SOLVENTS; ABRASIVES; UNIDENTIFIED LEATHER CLEANERS; SUEDE CLEANERS OR ANY PRODUCTS CONTAINING SILICON OR SOLVENTS.