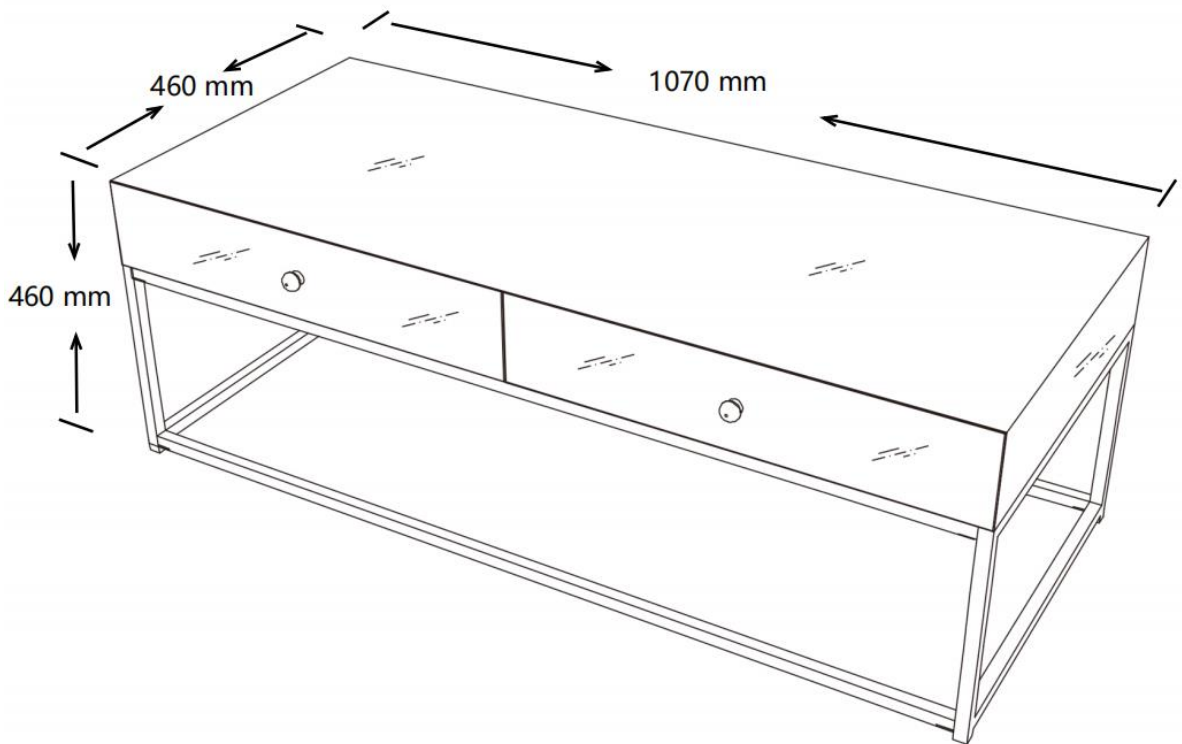


ASSEMBLY INSTRUCTION

LOZANO

COFFEE TABLE

ITEM CODE 716650001


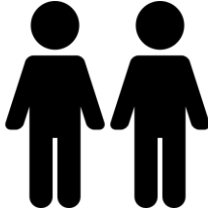



Imported by JWA Furniture Pty Ltd, Qld, Brisbane Australia.
For any assistance with assembly or for missing parts please refer to your receipt





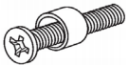

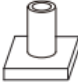
PRE-ASSEMBLY PREPARATION

Before you start:

1. Choose a clean, level, spacious assembly area. Avoid hard surfaces that may damage the product
2. Take care when lifting. Product should be assembled as near as possible to the point of use
3. Ensure that you have all required contents for complete assembly
4. Always read the assembly instructions carefully before beginning assembly.
5. Keep all hardware parts and packaging out of reach of small children.
6. Do not over tighten the screws and bolts as this may damage the threads
7. Assembly is to be carried out by a competent adult(s) ONLY
8. During assembly, children should be kept away from the product due to possible risk to injury.
9. Do not use this item if any components are missing or damaged.
10. Please keep the instructions for future reference.

		
Allow 15 min	For 1 person	Additional tool required

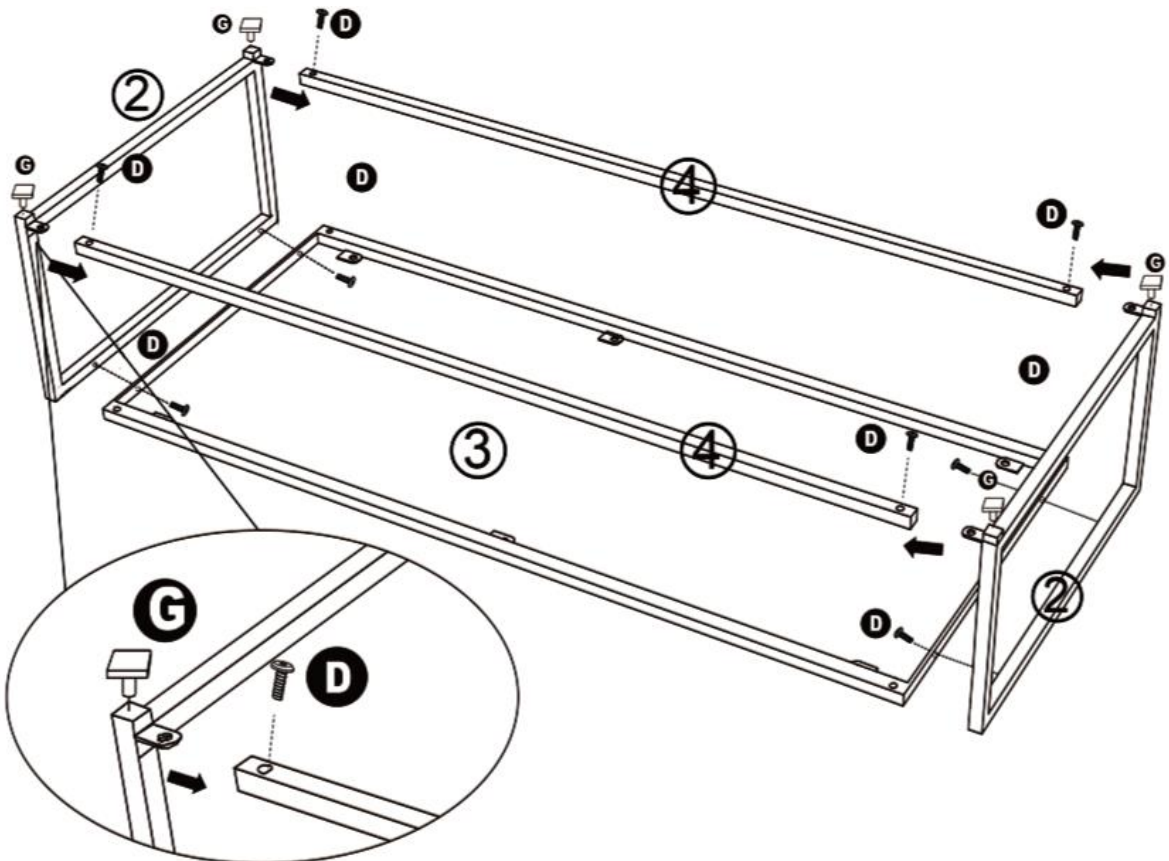
PARTS LIST

	A	M6X16MM	LONG BOLT WITH WASHER	6 SETS
	B		HEX KEY	1 PC
	C		POLISHING CLOTH	1 PC
	D	M6X10MM	SHORT BOLT	8 PCS
	E		SCREW WITH SLEEVE	2 SETS
	F		KNOB	2 PCS
	G		PLASTIC FOOT	4 PCS

1	Table Top x1
2	Side Frame x2
3	Top Frame x1
4	Bottom Bar x2

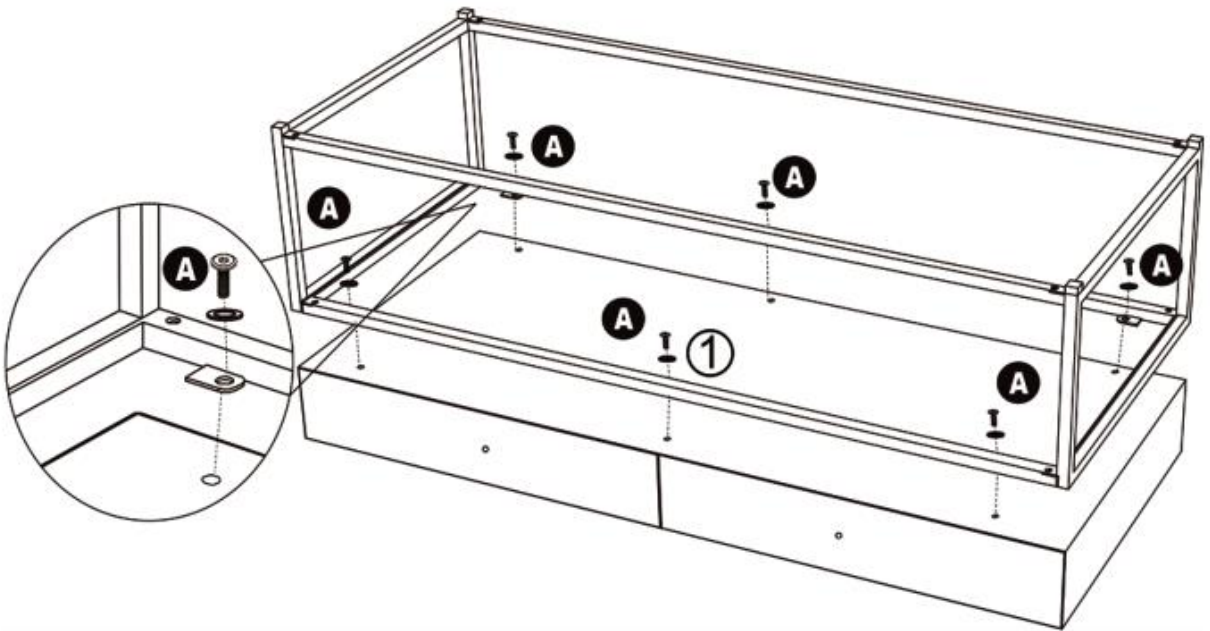
STEP 1:

- Prepare a surface with a protective blanket or cardboard.
- Connect side frame(2) top frame(3) and bottom bar(4) together as shown below.
- Secure with short bolt(D) per connection. Fasten with allen key(B).
- Fasten only until the bolt is tight in the thread, do not fully fasten for now.
- Put Plastic foot(G) into unit.



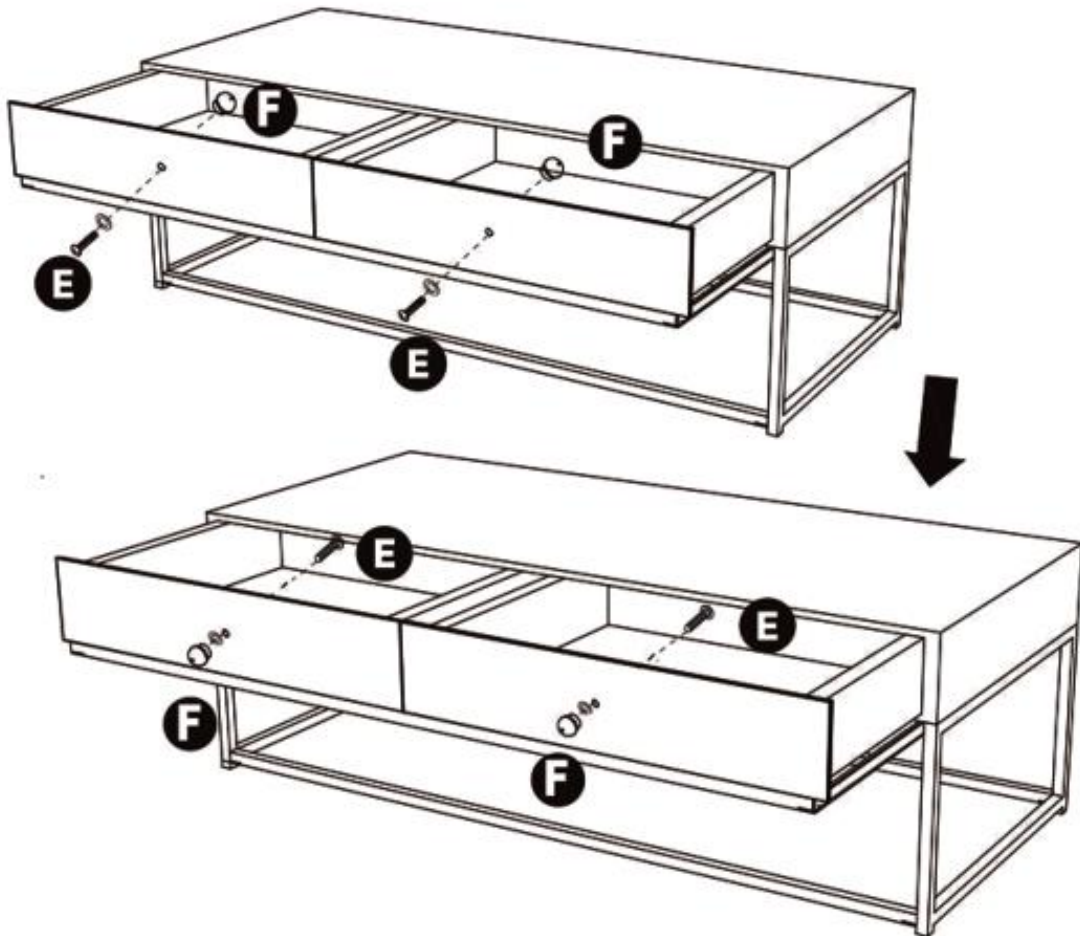
STEP 2:

- Place the table top(1) flat on the surface and connect to top frame(3) using long bolt with washer(A) per connection as shown below.
- Once levelled turn the table back on its side and fasten all the bolts.

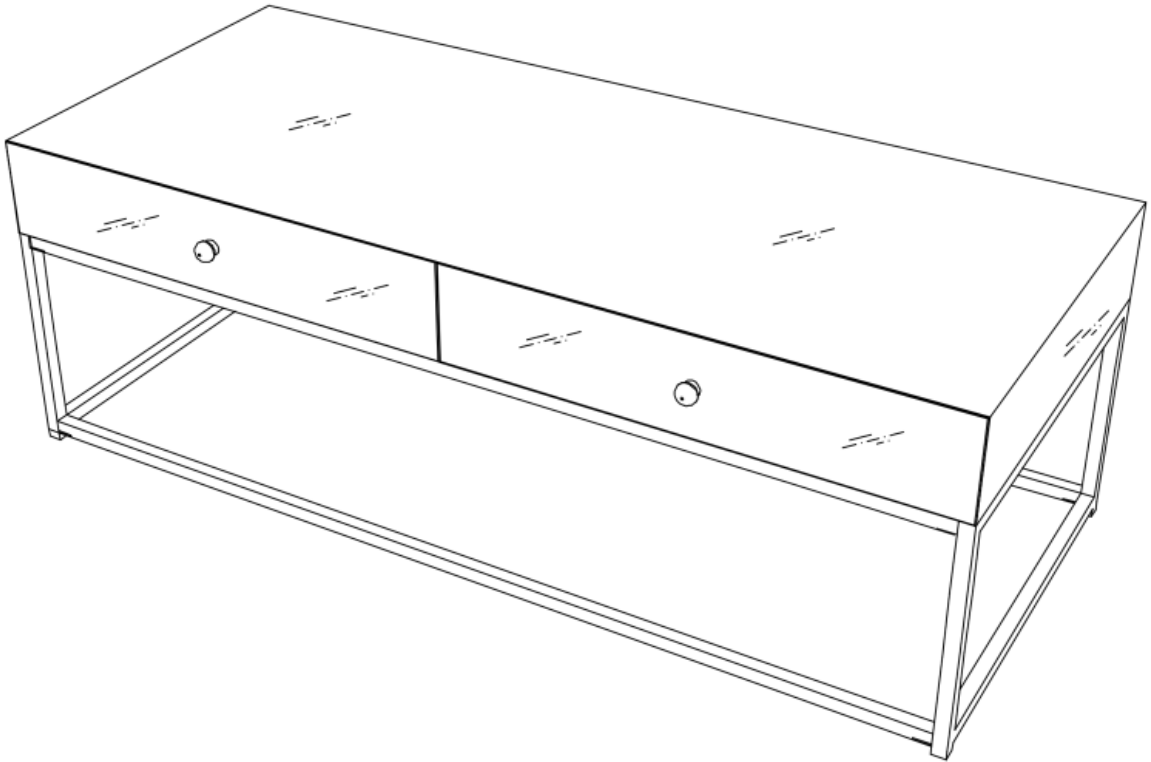


STEP 3:

- Remove the knob(F) from inside of drawer to outside.
- Connect knob(F) to drawer using screw with sleeve(E) as shown below.



ASSEMBLY IS COMPLETE



PRODUCT CARE:

If the glass is chipped or broken, stop using the product and consult place of purchase

WARNING:

- Do not place very hot or cold items directly onto the glass surface, unless a coaster or placemat are used to prevent the items from coming into direct contact with the glass
- Do not sit or stand upon the glass surface
- Do not use the glass as a chopping surface
- Do not strike the glass with hard or pointed items
- When cleaning glass panels use a damp cloth or lather with washing up liquid or soft soap if necessary. Do not use any cleaning substances that contain abrasive properties, as these could scratch or damage the glass.