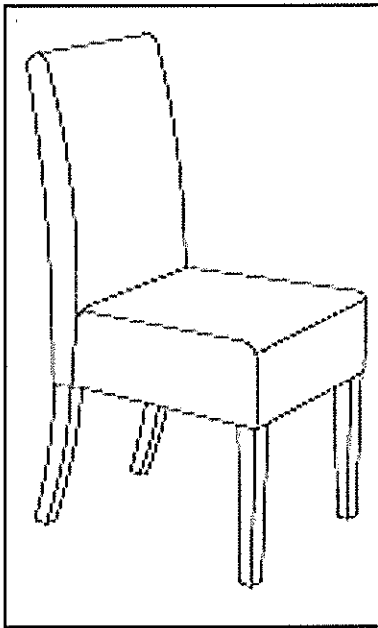


# ASSEMBLING INSTRUCTION

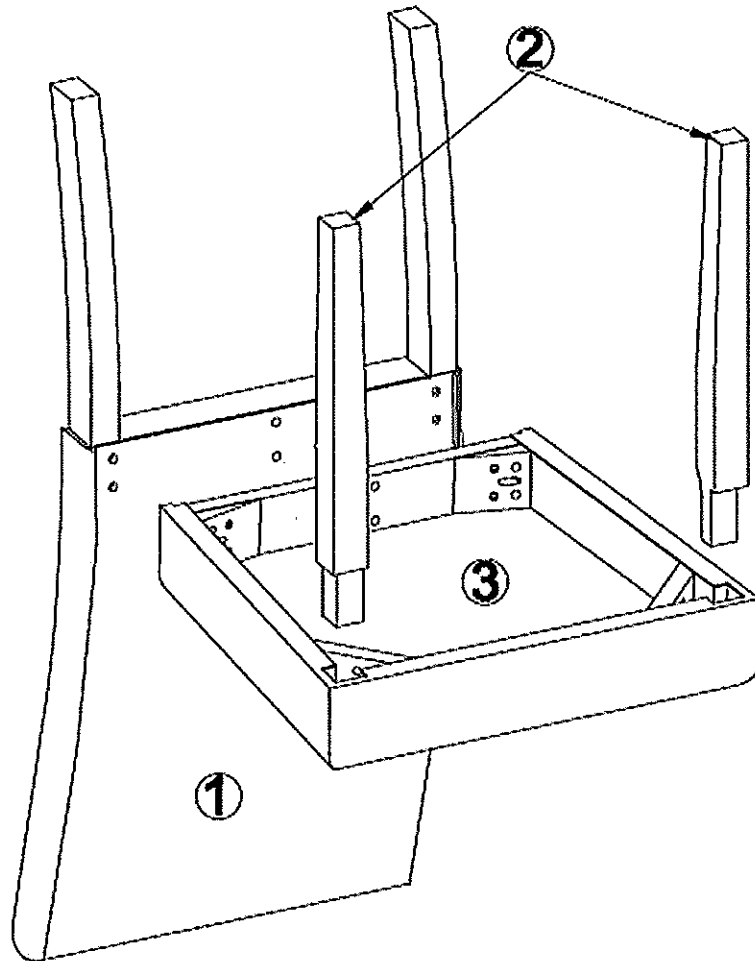
## LE FRANSCHHOEK DINING CHAIR

### 50184



#### BEFORE YOU START...






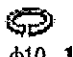
1. Choose a clean, level, spacious assembly area. Avoid hard surfaces that may damage the product.
2. Check and ensure that you have all required contents for complete assembly.
3. Always read the assembly instructions carefully before beginning assembly.
4. The packaging and contents can be a choking hazard, therefore keep out of reach of small children at all times
5. Do not over tighten the bolts as this may damage the thread.



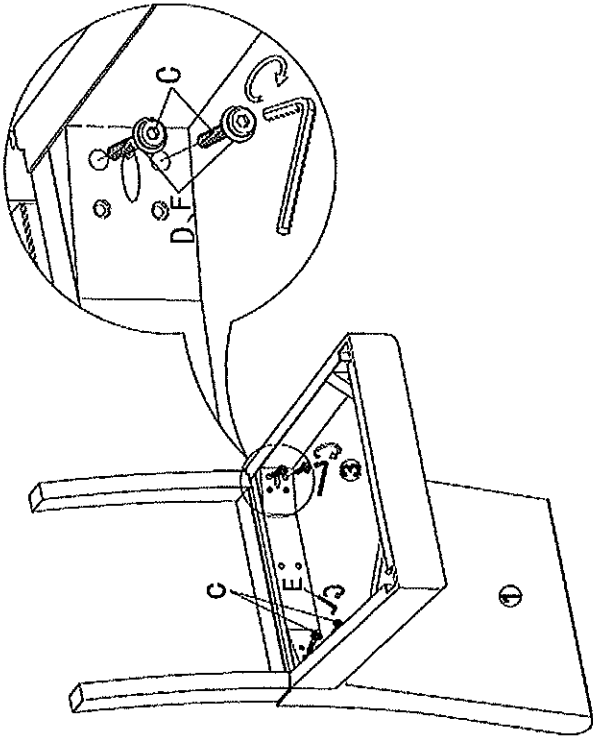
For any assistance in assembling this product or for missing parts, please contact Super Amart, Ewing Road, Customer Service on Freecall# 1800 351 084

**Note:** The assembly of this product requires one person

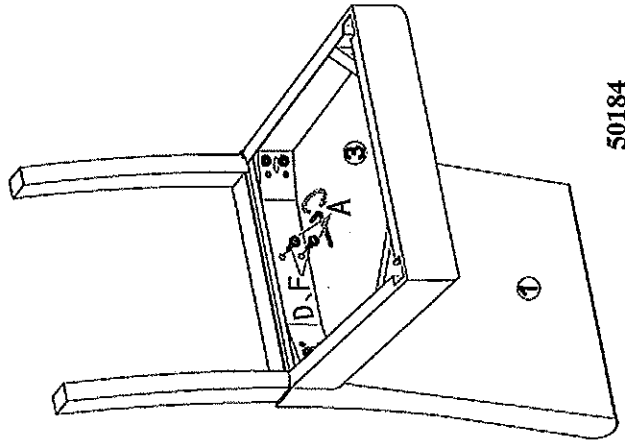
Please find the Bolt Kit in the back of the seat.

|   |   |   |  |   |  |
|---|---|---|--|---|--|
| A. Bolt 1/4" 6*45<br> 2pcs | B. Bolt 1/4" 6*60<br> 4pcs | C. Bolt 1/4" 6*90<br> 4pcs | D. Washer $\phi$ 16<br> 10pcs | E. Allen Key<br> 1pc | F. Spring Washers<br> $\phi$ 10 10pcs |
|---|---|---|--|---|--|

**STEP 1:** Fasten the seat frame ③ to the chair back ① with bolts ④ and washers ⑤

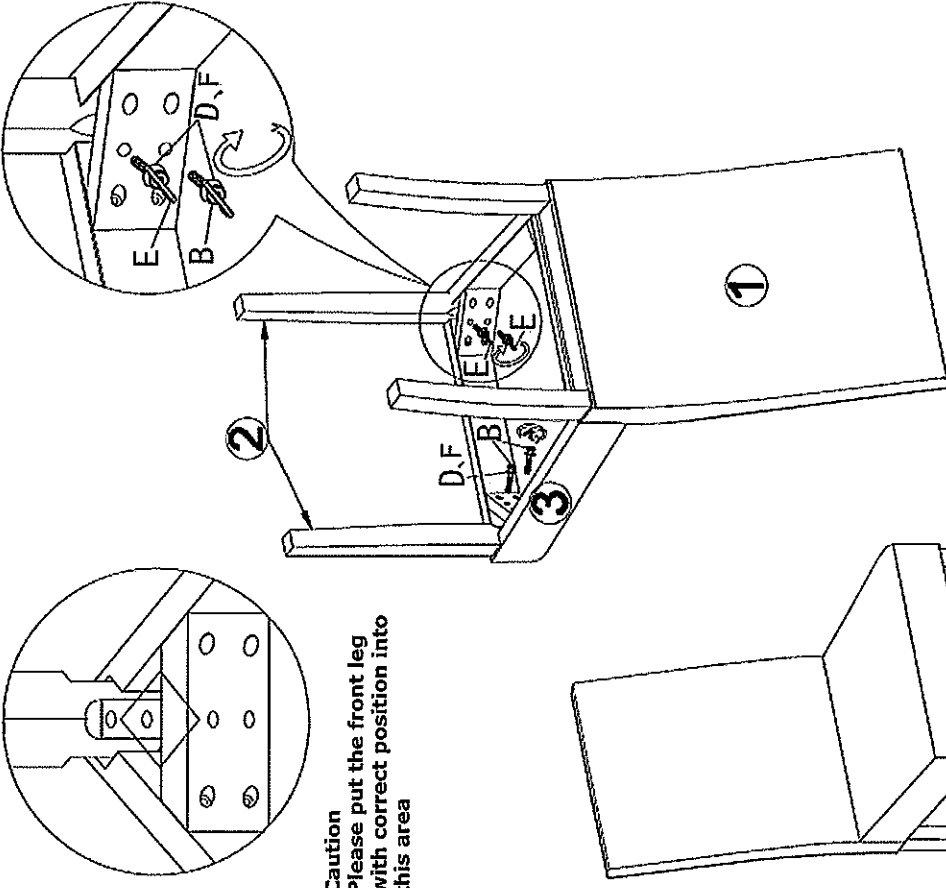


**STEP 2:** Secure the seat frame ③ to the chair back ① with bolts ⑥ and washers ⑦



50184

**STEP 3:** Fasten the front legs ② to the seat frame ③ with bolts ⑧ washers ⑨



**Caution**  
Please put the front leg with correct position into this area

**Important note:**  
Before finally tightening the bolts, place the assembled chair upright on a level surface and sit carefully on the chair to ensure the chair legs are aligned and level. Then tighten all bolts and your chair is ready for use.

Assembly is completed

50184