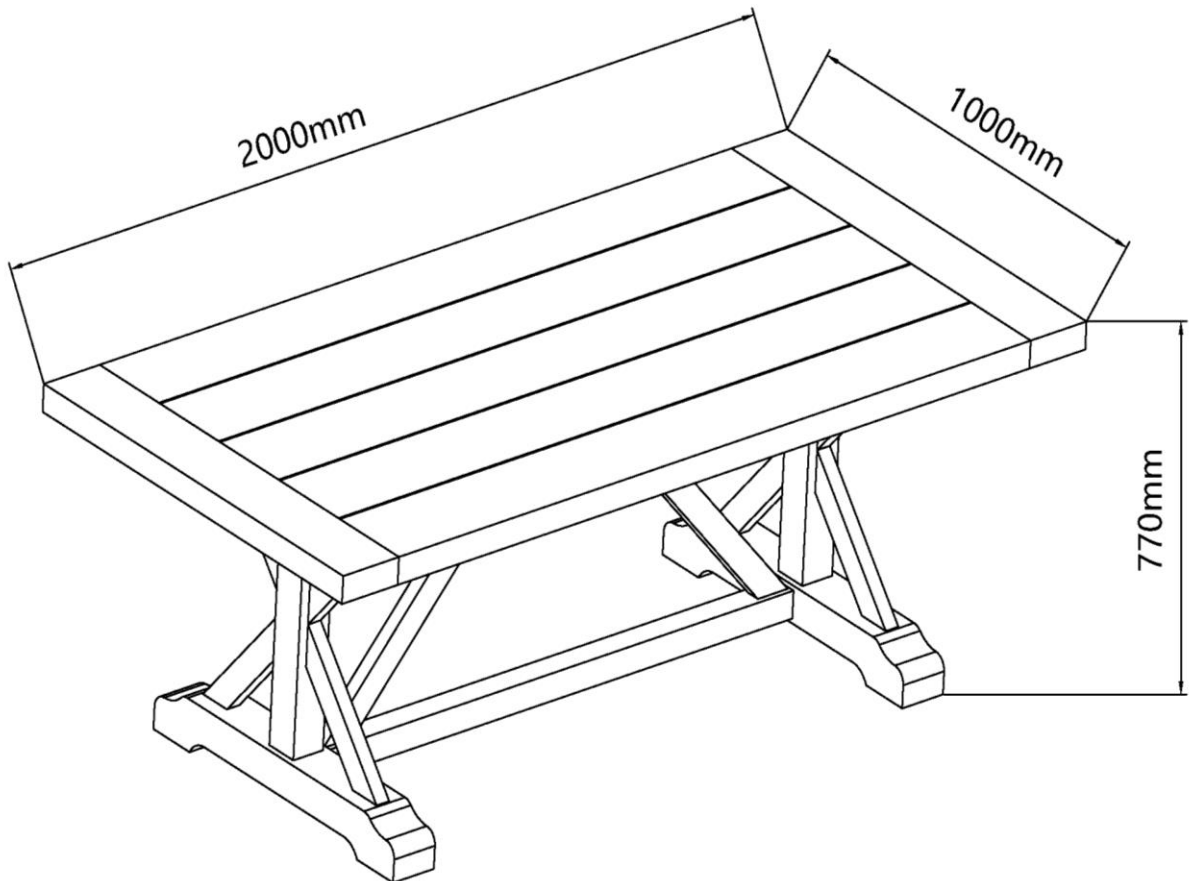




ASSEMBLY INSTRUCTION
NORMANDY 2000 DINING TABLE
ITEM CODE 69275

Imported by Amart Furniture Pty Ltd, Qld, Brisbane Australia.
For any assistance with assembly or for missing parts please
phone Amart Furniture , Customer Service Free call 1800 351
084



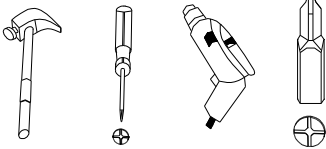


Imported by Amart Furniture Pty Ltd, Qld, Brisbane Australia.
For any assistance with assembly or for missing parts please phone
Amart Furniture, Customer Service Free call 1800 351 084

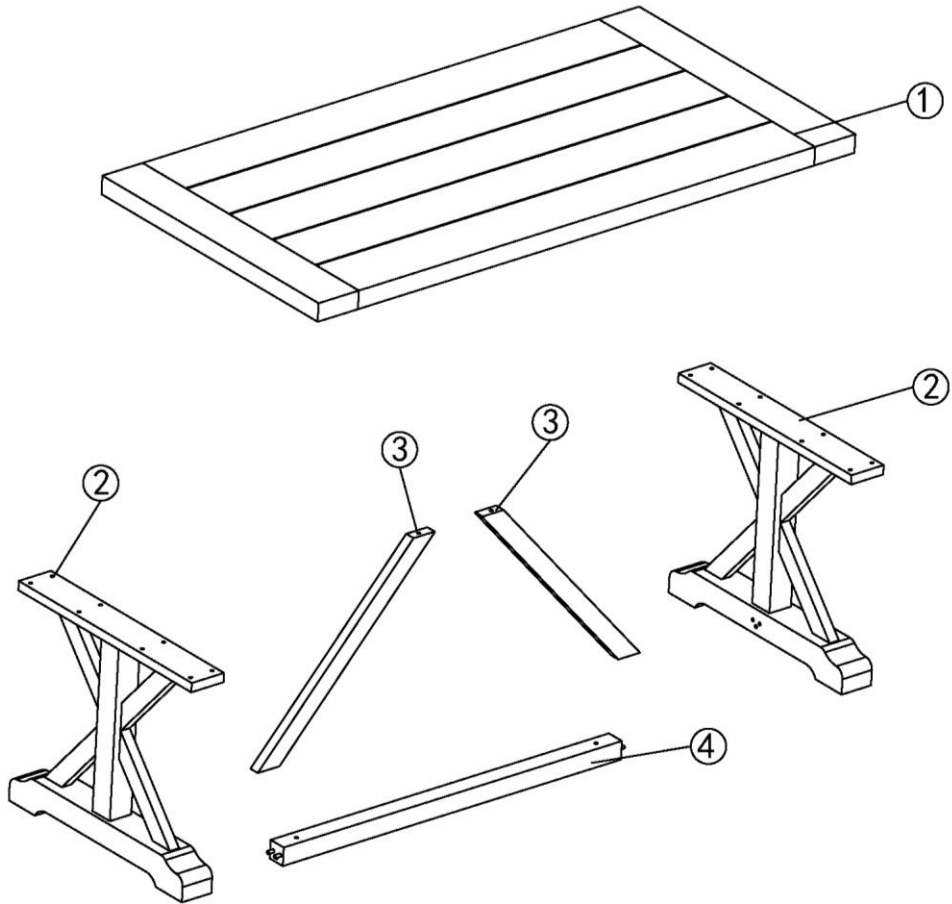
PRE-ASSEMBLY PREPARATION

Before you start:

1. Choose a clean, level, spacious assembly area. Avoid hard surfaces that may damage the product
2. Take care when lifting. Product should be assembled as near as possible to the point of use
3. Ensure that you have all required contents for complete assembly
4. Always read the assembly instructions carefully before beginning assembly.
5. Keep all hardware parts and packaging out of reach of small children.
6. Do not over tighten the screws and bolts as this may damage the threads


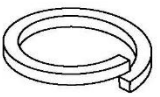
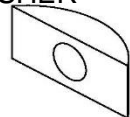

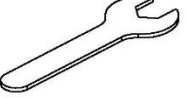


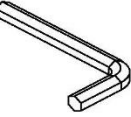
	
ALLOW 20 MINUTES	2 PEOPLE REQUIRED
	
TOOLS REQUIRED	

PARTS LIST



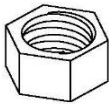
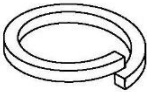
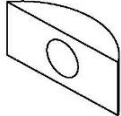

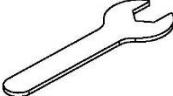
1	DINING TABLE TOP
2	LEGS

3	SUPPORT FRAME
4	CENTER STRETCHER

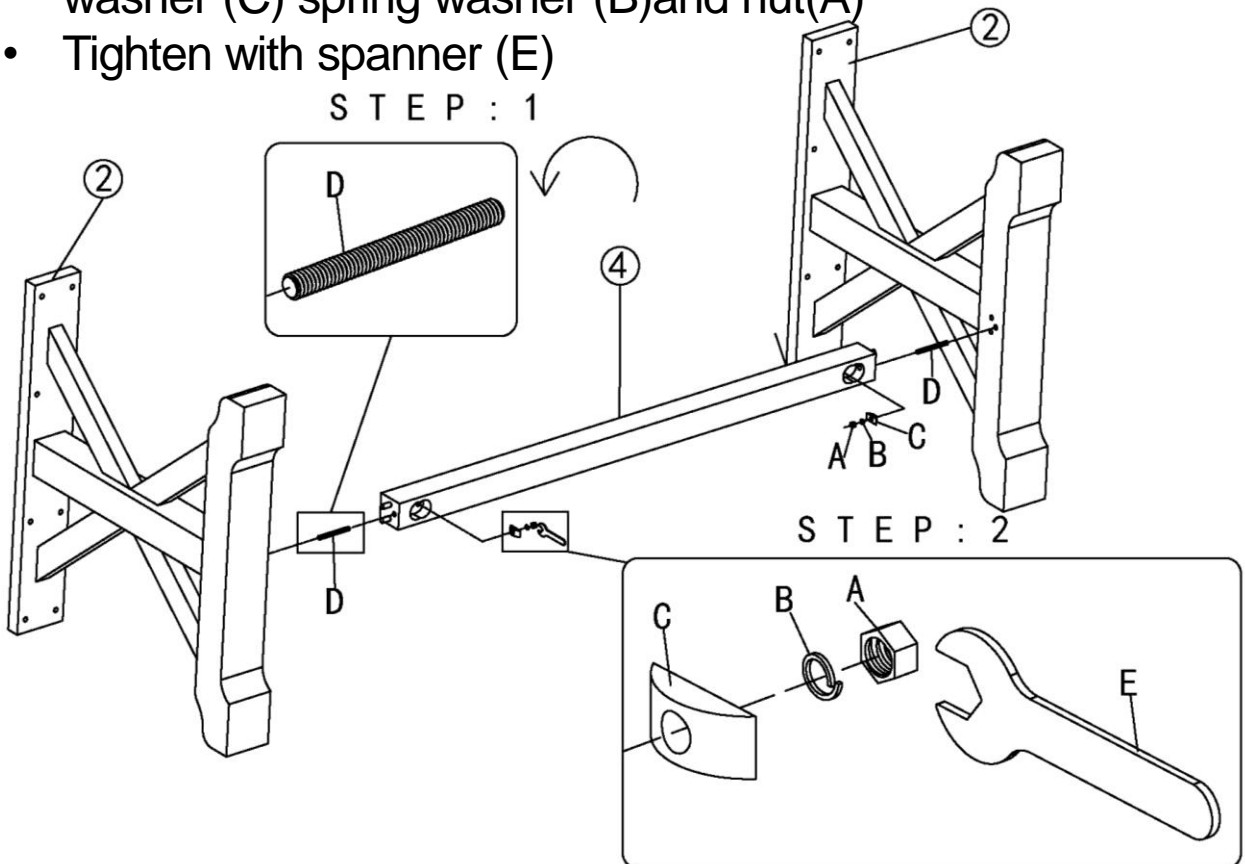
<p>A. NUT M8</p>  <p>AX2</p>	<p>B. SPRING WASHER</p>  <p>BX2</p>	<p>C. CRESCENT WASHER</p>  <p>CX2</p>	<p>D. BOLT M8X80MM</p>  <p>DX2</p>
<p>E. SPANNER</p>  <p>EX1</p>	<p>F. BOLT M8X50MM</p>  <p>FX20</p>	<p>G. WASHER</p>  <p>GX20</p>	<p>H. ALLEN KEY</p>  <p>HX1</p>

1

ITEMS REQUIRED

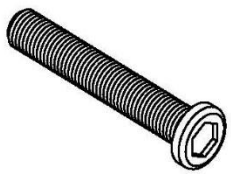
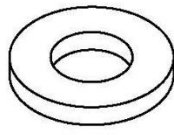
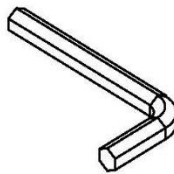
A. NUT M8  AX2	B. SPRING WASHER  BX2	C. CRESCENT WASHER  CX2	D. BOLT M8X80MM  DX2
E. SPANNER  EX1			

- Install the bolt(D) into the leg(2);
- Insert the other end of bolt(D) into the center stretcher(4)
- Attach legs (2) and center stretcher(4) with crescent washer (C) spring washer (B) and nut(A)
- Tighten with spanner (E)

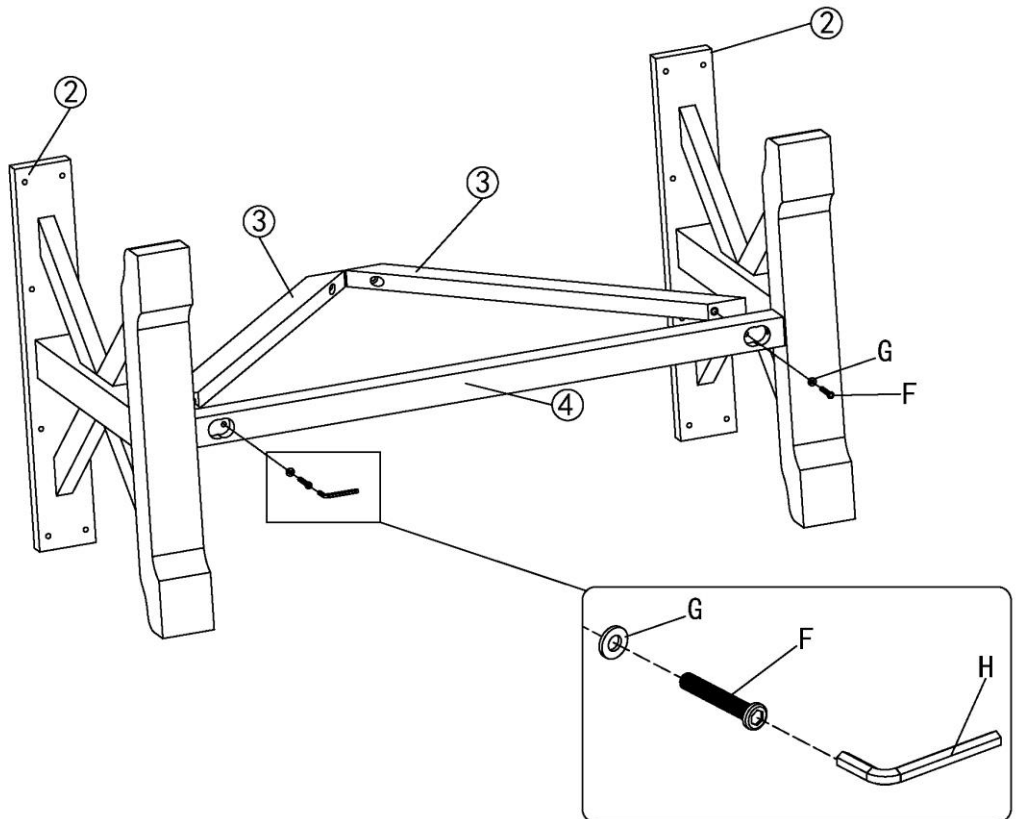


2

ITEMS REQUIRED

<p>F. BOLT M8X50MM</p>  <p>FX2</p>	<p>G. FLAT WASHER</p>  <p>GX2</p>	<p>H. ALLEN KEY</p>  <p>HX1</p>
---	--	--

- Attach support frame(3)and center stretcher (4)with flat washer (G) bolts (F)
- Tighten with allen key (H)



3

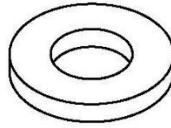
ITEMS REQUIRED

F. BOLT M8X50MM



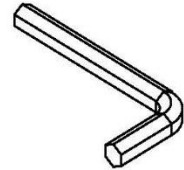
FX18

G. FLAT WASHER



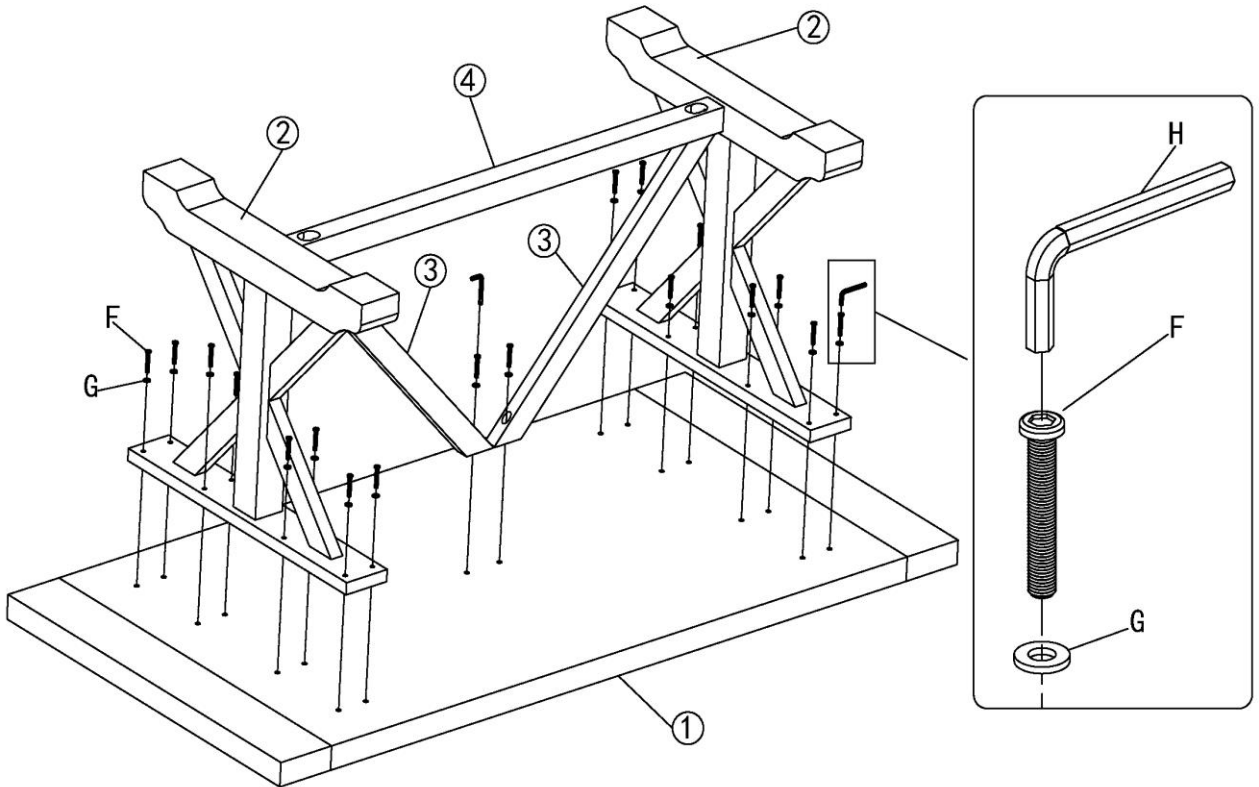
GX18

H. ALLEN KEY

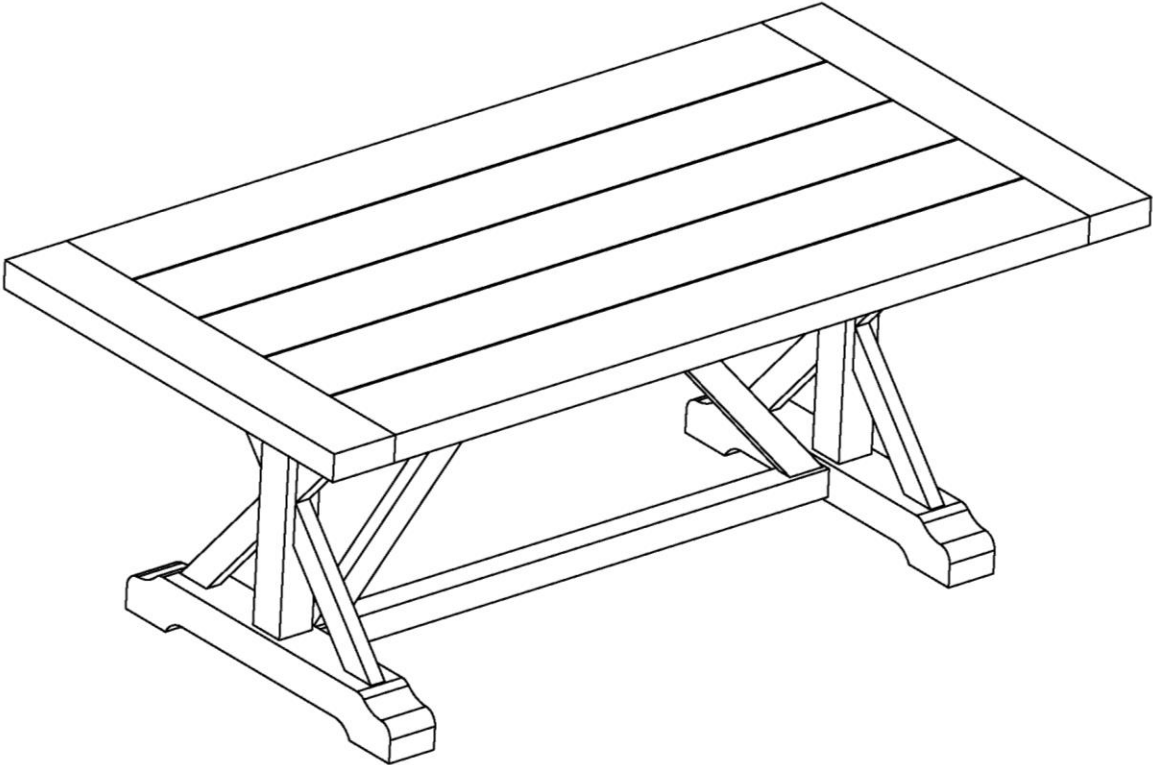


HX1

- Attach legs (2) and support frame (3) to top (1) with flat washer (G) bolts (F)
- Tighten with allen key (H)



ASSEMBLY IS COMPLETE



CARE AND MAINTENANCE

- A multi-step finish is applied to all our furniture, but all wood comes from nature. Because of this, there will be natural variations in surface texture and grain like knots, mineral streaks and sap runs that may affect the finish. These differences in character are not defects, but distinctions that make each piece of furniture unique.
- Our furniture is built to last. Following these steps for basic care should protect your investment for years to come.
- Dust frequently with a clean damp lint-free cloth. This will help remove abrasive build up which can damage a finish over time.
- Do not place hot objects on any furniture surface. Always use a hot plate or placemat. Laminate and lacquer finishes on table tops provide added scratch and heat resistance to our furniture, but they can still be damaged without proper care.
- Avoid exposing your furniture to strong sunlight, heat outlet, open windows or dampness. Prolonged exposure to direct sunlight can fade the finish of your furniture, while extreme temperature and humidity changes can cause cracking or splitting.
- Do not expose your furniture to any liquids. Never allow water to sit on your furniture. Alcohol, nail polish and perfume are also dangerous as they will dissolve the lacquer finish on contact and may require professional repairs.
- Do not allow plastic to come in direct contact with your furniture. Chemicals in the plastic of placemats etc may soften and mark the finish if left in contact with the furniture for a period of time.