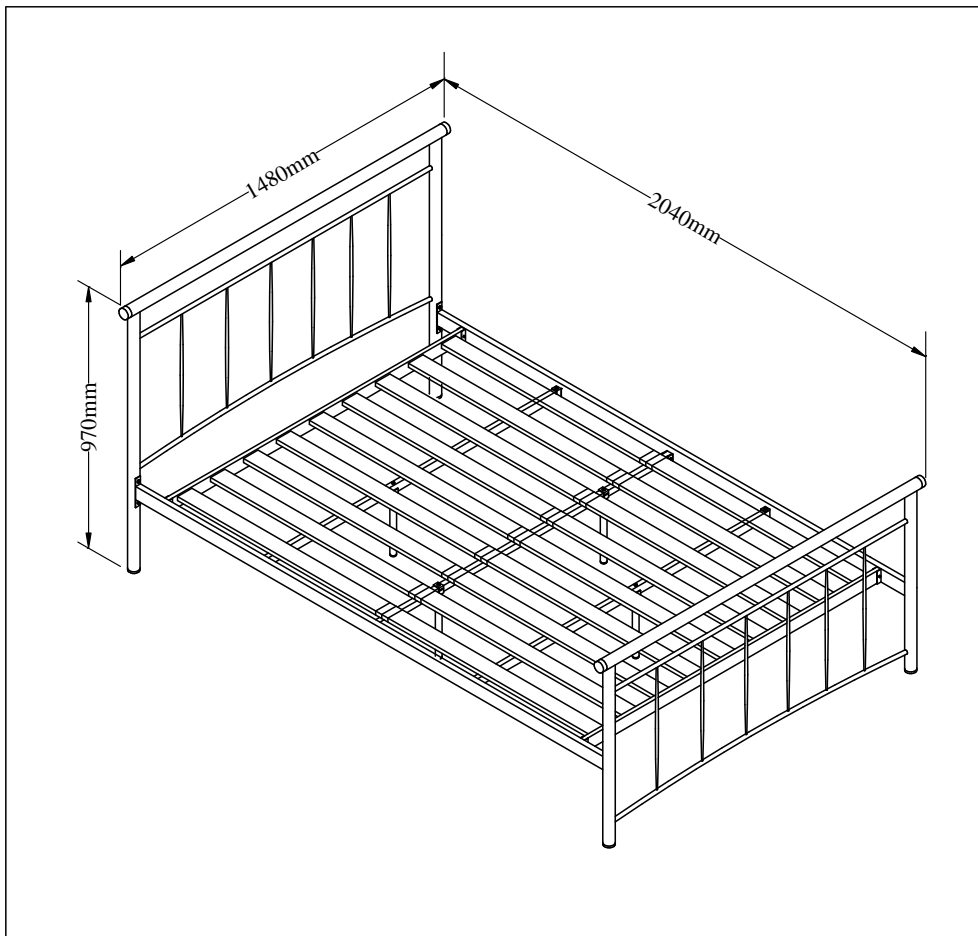




**ASSEMBLY INSTRUCTION  
PERSIAN DOUBLE BED  
ITEM CODE - 38701**

*Imported by Amart Furniture Pty Ltd, Qld, Brisbane Australia.  
For any assistance with assembly or for missing parts please phone  
Amart Furniture, Customer Service Freecall 1800 351 084.*


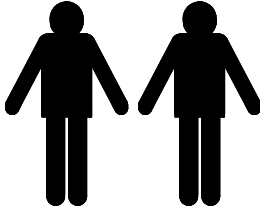


*Imported by Amart Furniture Pty Ltd, Qld, Brisbane Australia. For any assistance with  
assembly or for missing parts please phone Amart Furniture, Customer Service  
Freecall 1800 351 084.*

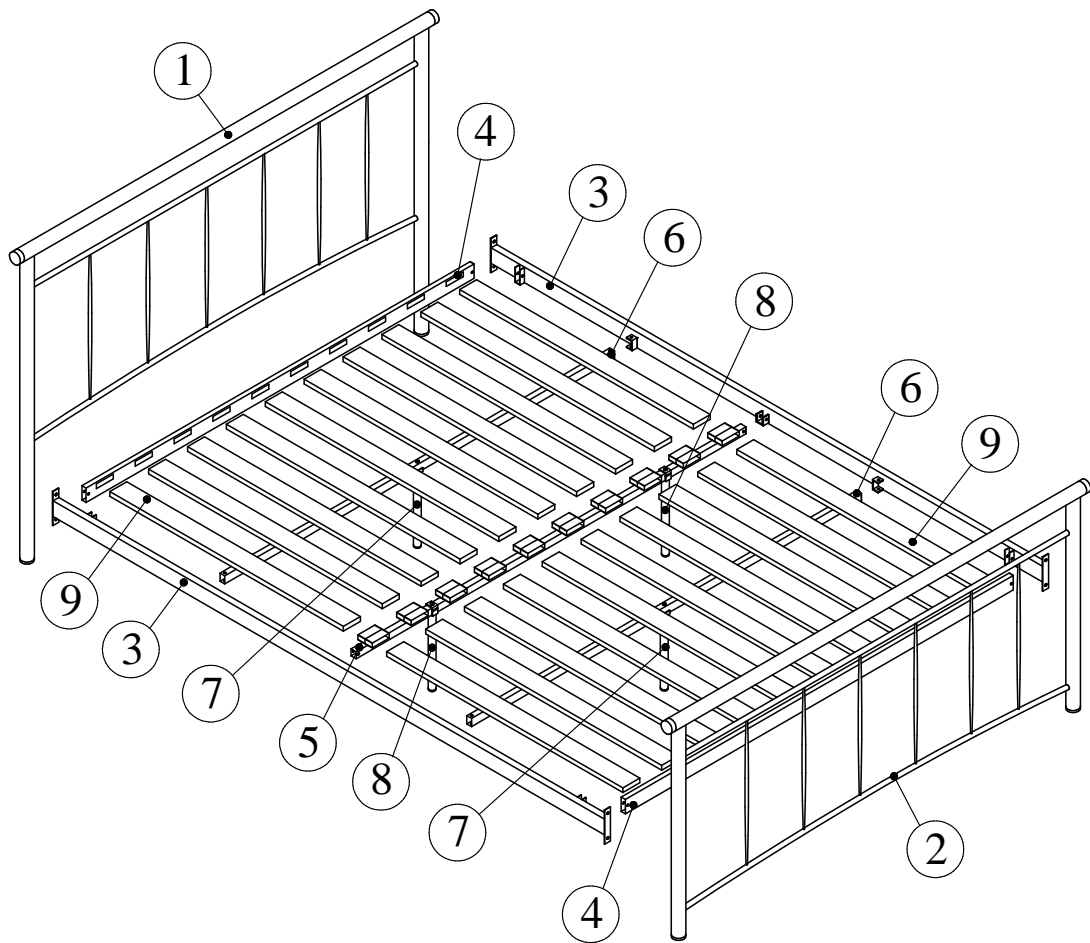
# ***PRE-ASSEMBLY PREPARATION***

## **BEFORE YOU START....**


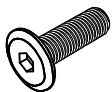
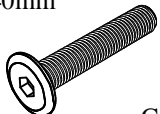
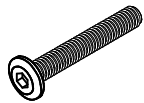
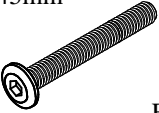
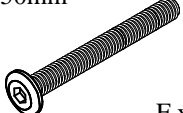

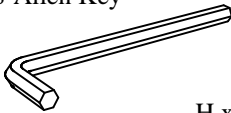
1. Choose a clean, level, spacious assembly area. Avoid hard surfaces that may damage the product.
2. Check and ensure that you have all required contents for complete assembly.
3. Always read the assembly instructions carefully before beginning assembly.
4. The packaging and contents can be a choking hazard, therefore keep out of reach of small children at all items.
5. Do not over tighten the bolts as this may damage the thread.

	
ALLOW 45 MINUTES	2 PEOPLE REQUIRED

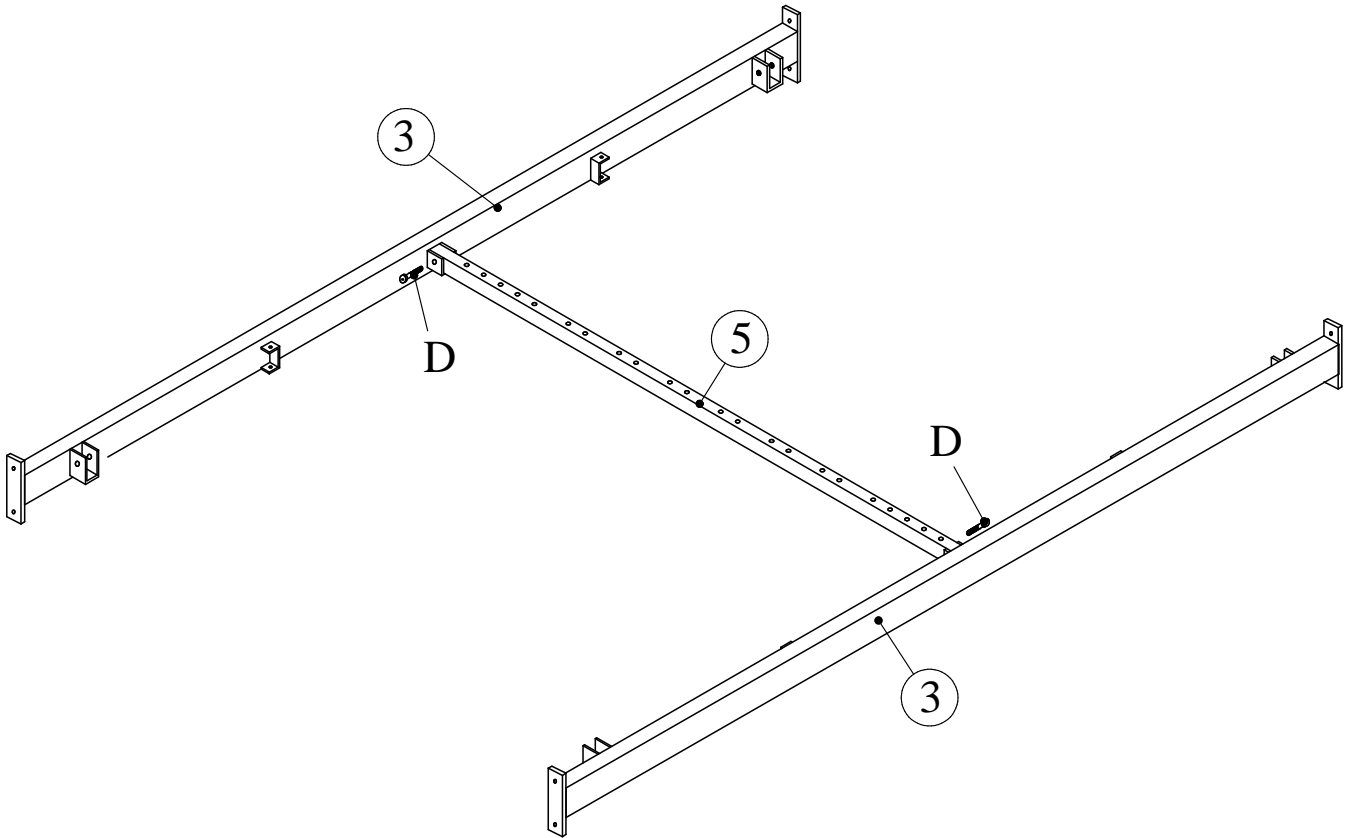
# PARTS LIST



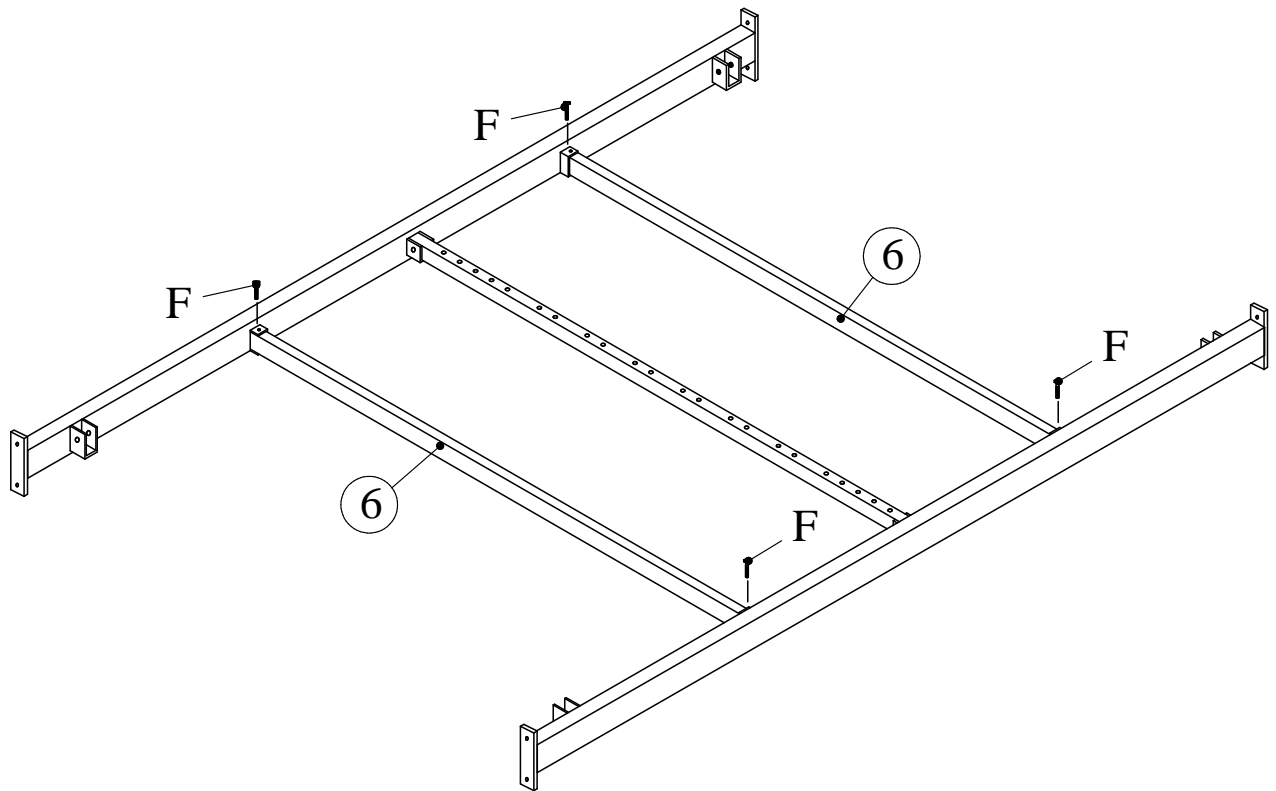
1	HEAD FRAME	1 pc
2	FOOT FRAME	1 pc
3	SIDE RAILS	2 pcs
4	END CROSS BARS	2 pcs
5	CENTER CROSS BAR	1 pc
6	CROSS BAR	2 pcs
7	SHORT SUPPORT LEGS	2 pcs
8	LONG SUPPORT LEGS	2 pcs
9	WOOD SLATS - 9mm x 60mm x 914mm	20 pcs

Double End Plastic Cap  A x 10pcs	M8 x 25mm  B x 8pcs	M8 x 40mm  C x 2pcs	M6 x 40mm  D x 6pcs
M6 x 45mm  E x 2pcs	M6 x 50mm  F x 4pcs	M6-Allen Key  G x 1pc	M8-Allen Key  H x 1pc

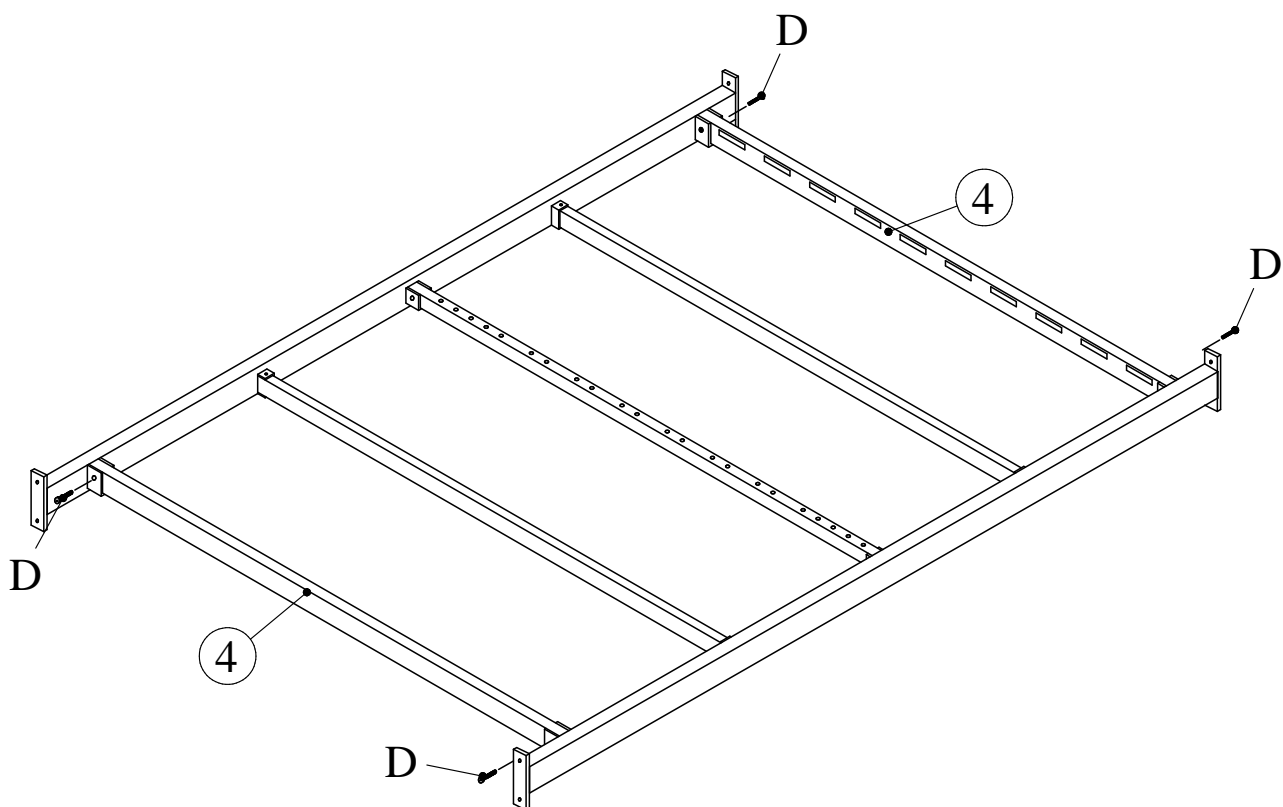
**STEP 1 :** Fix both side rails (3) and center cross bar (5) with bolt (D) using Allen key (G).



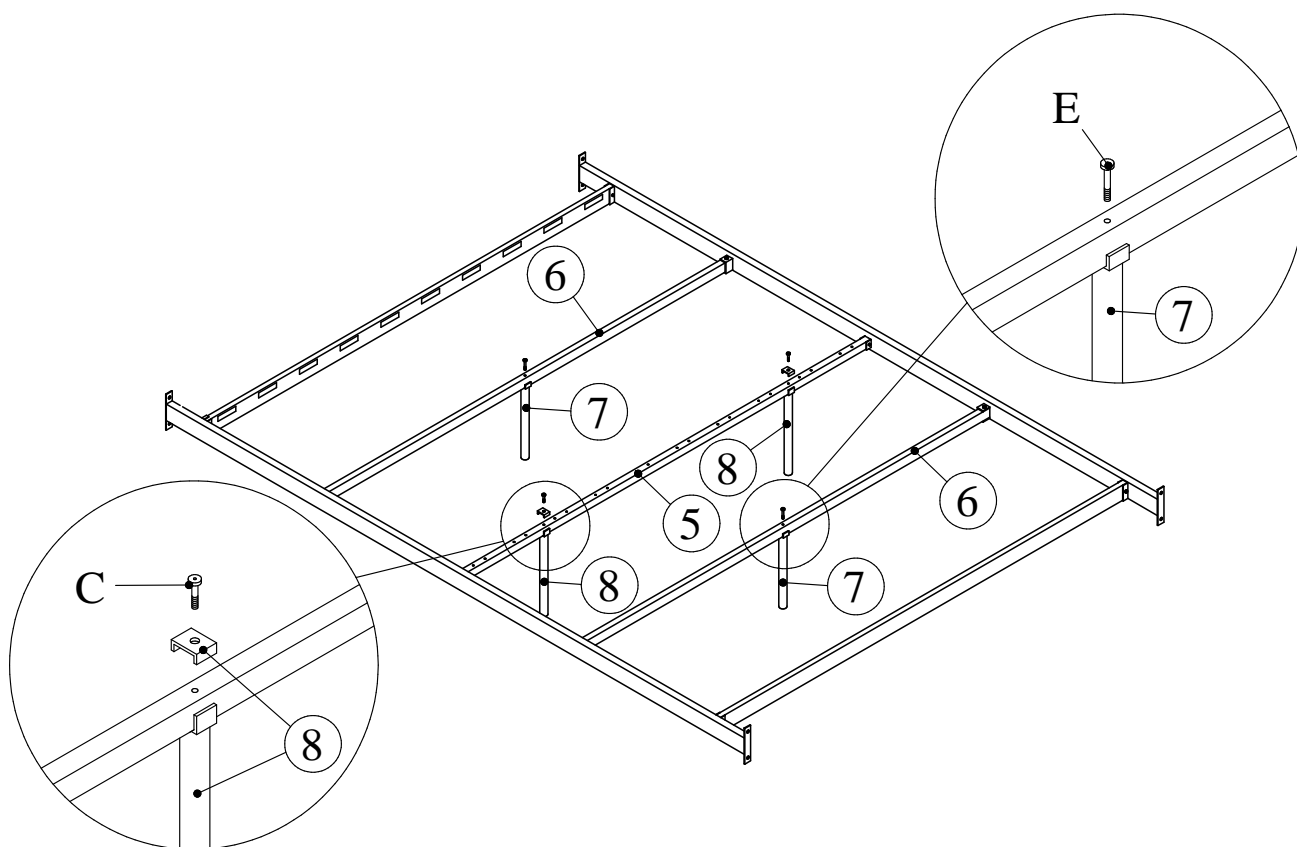
**STEP 2 :** Put cross bar (6) into side rail and fix in bolt (F) using Allen key (G).



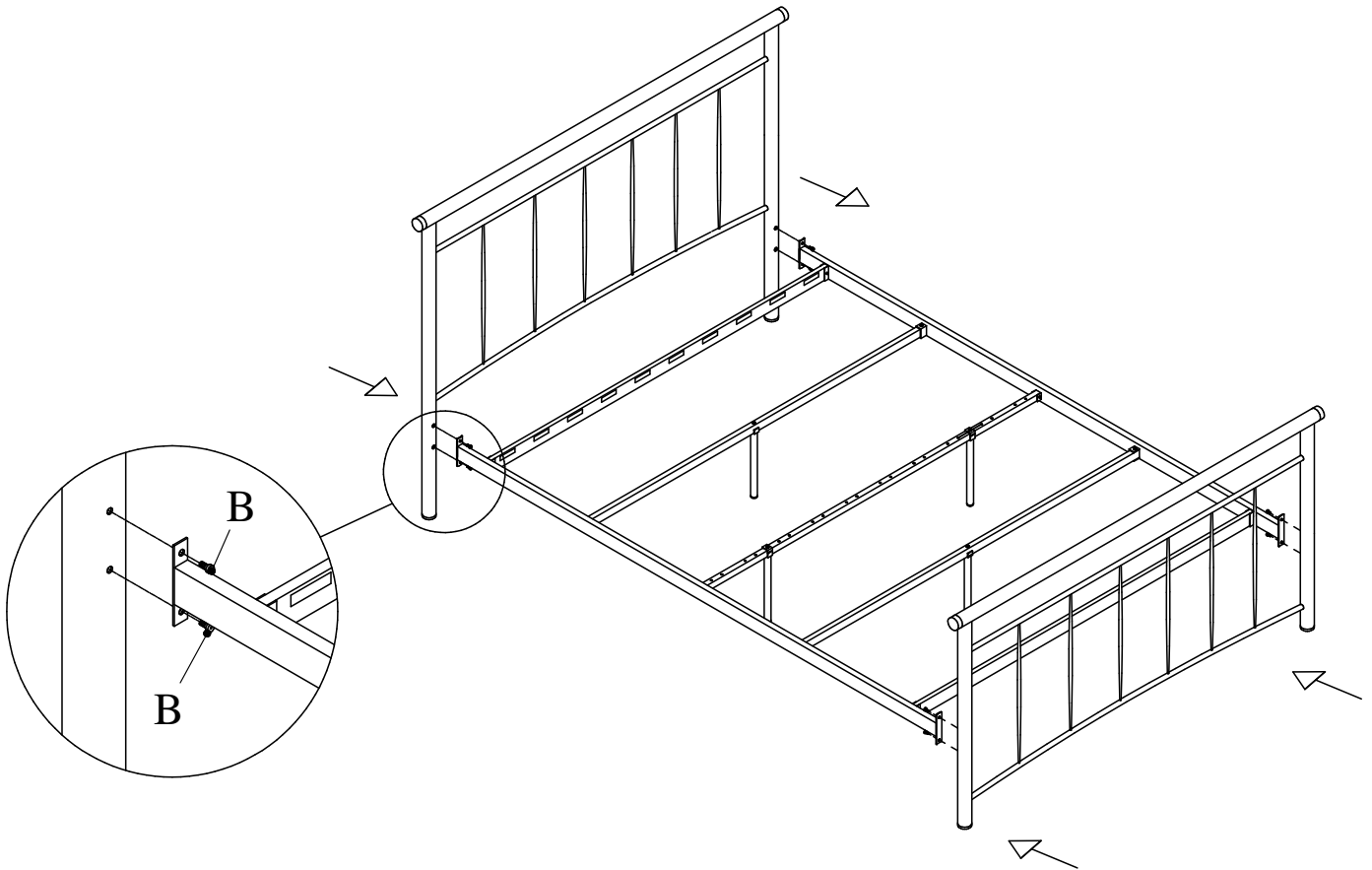
**STEP 3 :** Attach the end cross bars (4) and tighten with bolt (D) using Allen key (G).



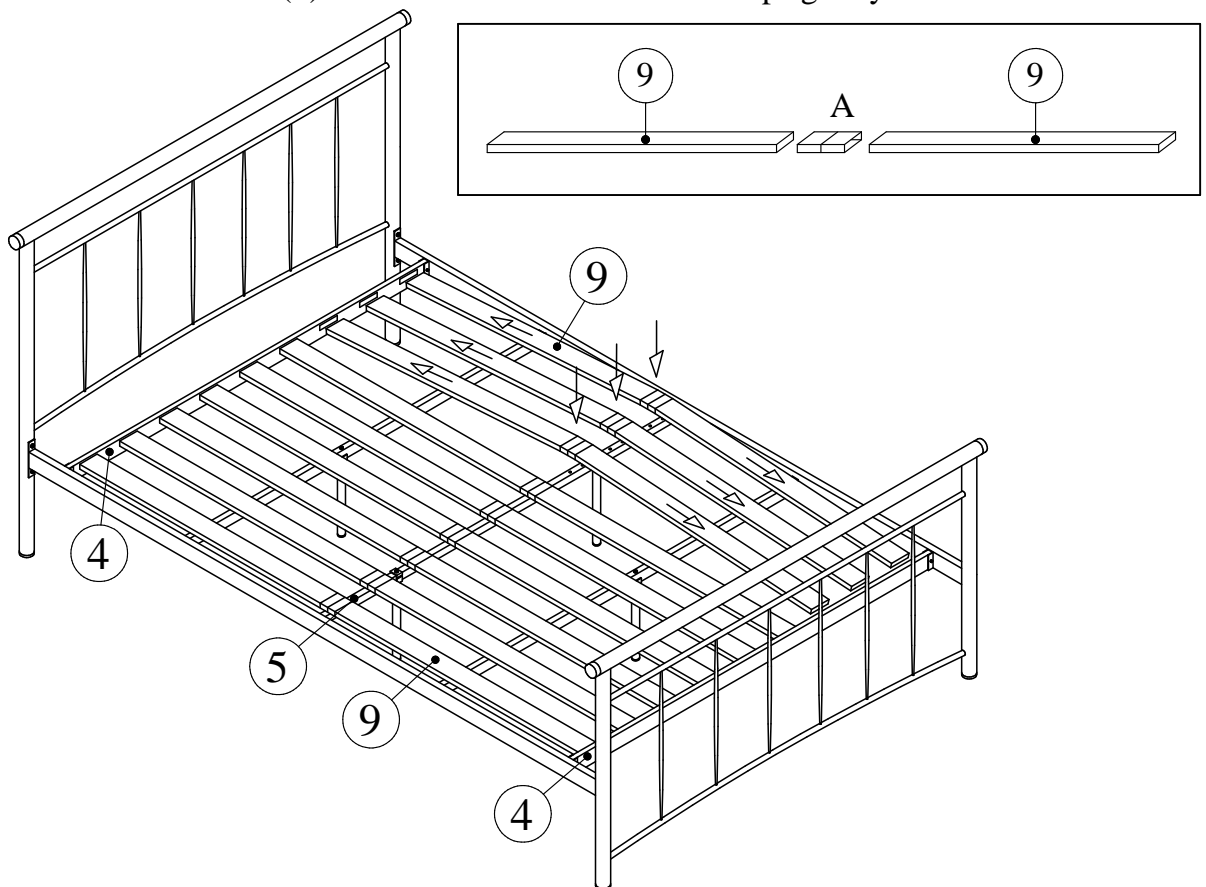
**STEP 4 :** Attach short support legs (7) to cross bars (6) with bolts (E) using Allen key (G).  
Attach long support legs (8) to center cross bars (5) with bolts (C) using Allen key (H).



**STEP 5 :** Attach head frame (1) to side rails with bolts (B). Repeat step with foot frame (2). Tighten all bolts with hexagon key (H).



**STEP 6 :** Insert wooden slats (9) into both ends of the double end plastic cap (A). Insert other ends of slats into provided holes in end cross bars (4) then align the plastic caps with the centre cross bar (5) as shown. Press down on the caps gently to secure.



## **Product Care for Hi-Gloss Items**

Hi-gloss lacquered furniture is more sensitive to marks and scratching than some other furniture products. It is important to exercise caution and care to maximise the life and beauty of this product.

Following the below simple guidelines when using your hi-gloss product will protect your investment for years to come.

- Dust frequently with a clean damp lint-free cloth. This will help remove abrasive build up which can damage a finish over time.
- Do not place hot objects on any furniture surface. Always use a hot plate or placement. Laminate and lacquer finishes on table tops provide added scratch and heat resistance to our furniture, but they can still be damaged without proper care.
- Avoid exposing your furniture to strong sunlight, heat outlet, open windows or dampness. Prolonged exposure to direct sunlight can fade the finish of your furniture, while extreme temperature and humidity changes can cause cracking or splitting.
- Do not expose your furniture to any liquids. Never allow water to sit on your furniture. Alcohol, nail polish and perfume are also dangerous as they will dissolve the lacquer finish on contact and may require professional repairs.
- Do not allow plastic to come in direct contact with your furniture. Chemicals in the plastic of placements etc may soften and mark the finish if left in contact with the furniture for a period of time.
- Avoid placing sharp or rough objects on the surface of your furniture. These may scratch the surface of the product.
- When moving your furniture, do not drag it across the floor. This may damage the product. Instead use two (2) people to lift carefully from either end.