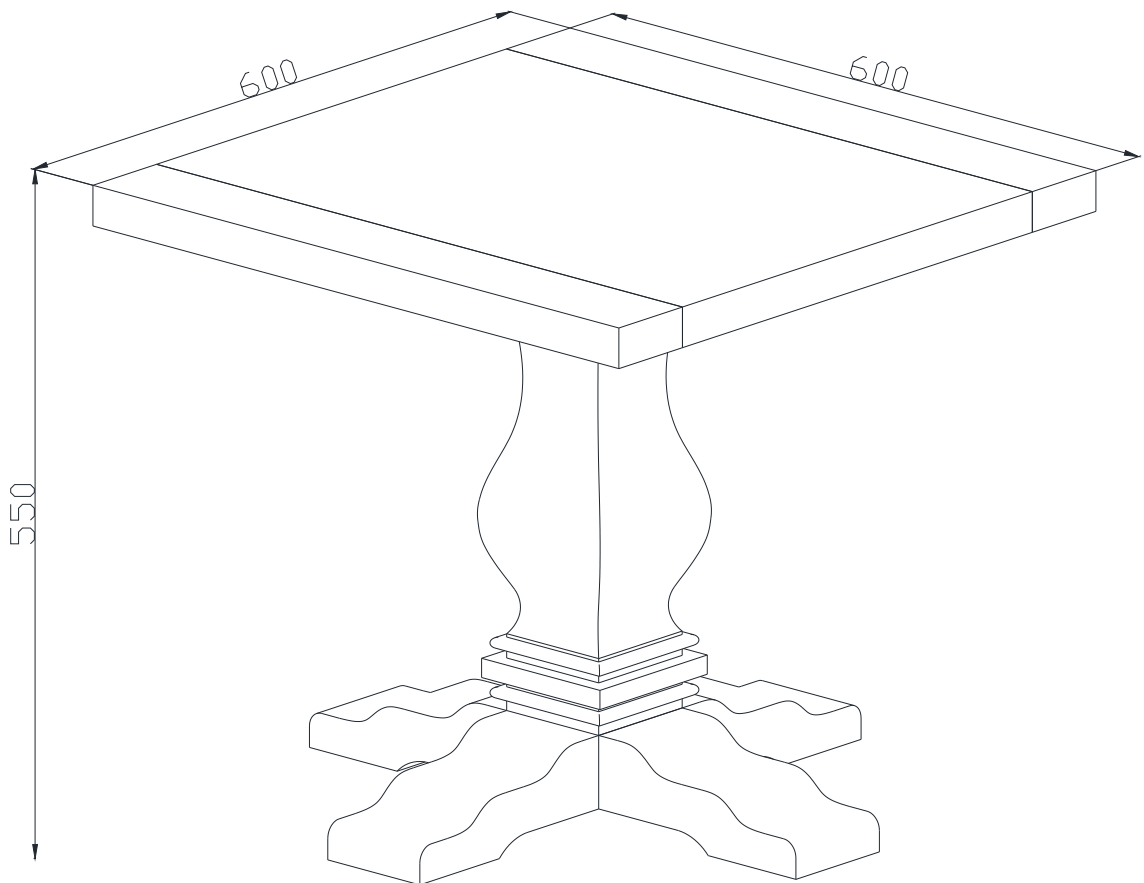


ASSEMBLY INSTRUCTION  
LA SALLE LAMP TABLE  
ITEM CODE 63835



Imported by Amart Furniture Pty Ltd, Qld, Brisbane Australia.  
For any assistance with assembly or for missing parts please phone  
Amart Furniture, Customer Service Free call 1800 351 084

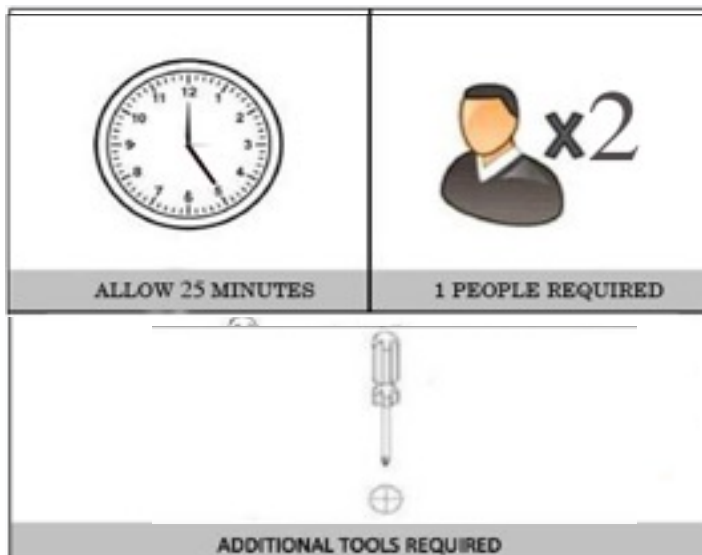
## **IMPORTANT: CARE GUIDE FOR YOUR TIMBER FURNITURE**

- *Congratulations! You have just purchased a quality product from Amart Furniture. Please read on for important information regarding your purchase.*
- A multi-step finish is applied to all our furniture, but all wood comes from nature. Because of this, there will be natural variations in surface texture and grain like knots, mineral streaks and sap runs that may affect the finish.
- These differences in character are not defects, but distinctions that make each piece of furniture unique.
- Our furniture is built to last. Following these steps for basic care should protect your investment for years to come.
- Dust frequently with a clean damp lint-free cloth. This will help remove abrasive build up which can damage a finish over time.
- Do not place hot objects on any furniture surface. Always use a **coaster** or placemat. Laminate and lacquer finishes on table tops provide added scratch and heat resistance to our furniture, but they can still be damaged without proper care.
- Avoid exposing your furniture to strong sunlight, heat **outlets**, open windows or dampness. Prolonged exposure to direct sunlight can fade the finish of your furniture, while extreme temperature and humidity changes can cause cracking or splitting.
- Do not expose your furniture to any liquids. Never allow water to sit on your furniture. Alcohol, nail polish and perfume are also dangerous as they will dissolve the lacquer finish on contact and may require professional repairs.
- Do not allow plastic to come in direct contact with your furniture. Chemicals in the plastic of placemats etc may soften and mark the finish if left in contact with the furniture for a period of time.

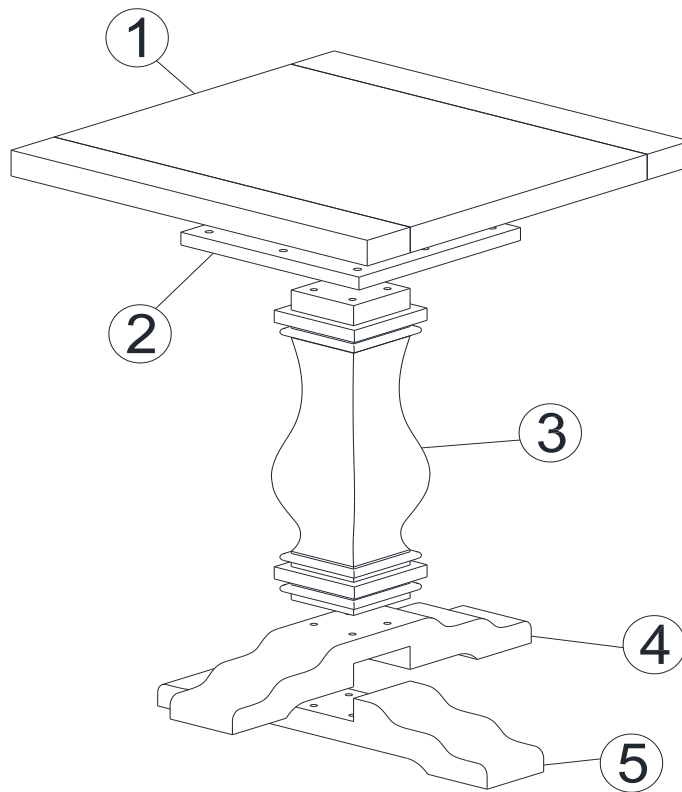
# PRE-ASSEMBLY PREPARATION

## Before you start:






1. Choose a clean, level, spacious assembly area. Avoid hard surfaces that may damage the product
2. Take care when lifting. Product should be assembled as near as possible to the point of use
3. Ensure that you have all required contents for complete assembly
4. Always read the assembly instructions carefully before beginning assembly.
5. Keep all hardware parts and packaging out of reach of small children.
6. Do not over tighten the screws and bolts as this may damage the threads



# PARTS LIST

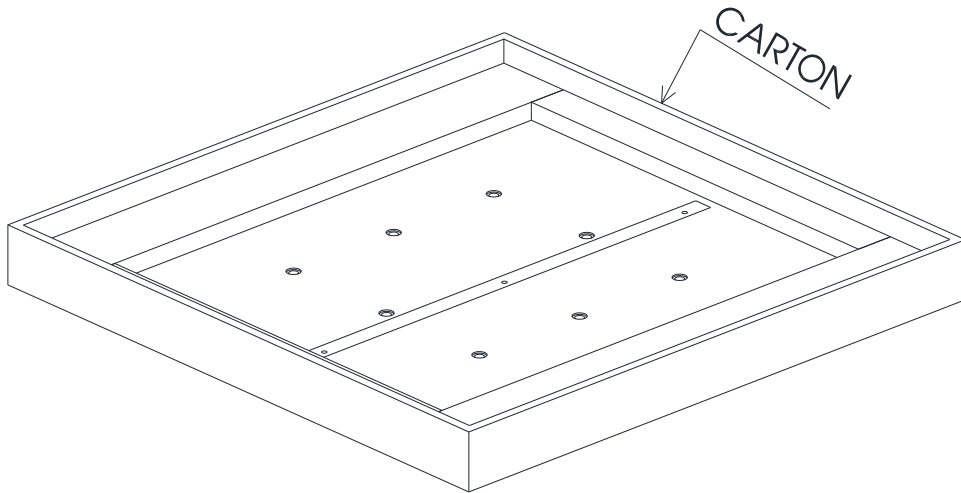


Part	DESCRIPTION	Qty	Part	DESCRIPTION	Qty
1	TABLE TOP	1	4	LEG UPPER	1
2	PLATE	1	5	LEG LOWER	1
3	PEDESTAL	1			

<p>A M6 X 30 BOLT 12 PCES</p> 	<p>B M6 X 80 BOLT 4 PCES</p> 	<p>C M6.5 X 19 FLAT WASHER 16 PCES</p> 	<p>D M6.5 X 9 SPRING WASHER 16 PCES</p> 
<p>E ALLEN KEY 24 PCES</p> 			

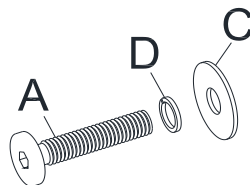
## Step 1

You should have started by opening the box upside down.  
**Keep the table top inside the box until later advised.**







## Step 2

Next you will need to assemble the M6 x 30 bolts (item A) with the M6.5 x 9 spring washers (item D) and the M6.5 x 19 flat washers (item C)

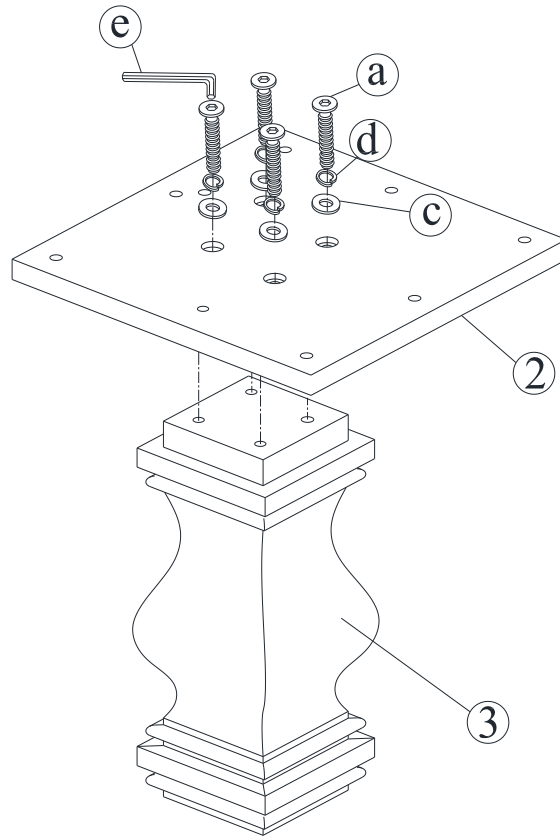


### YOU WILL NEED

A M6 X 30 BOLT 12 PCES 	C M6.5 X 19 FLAT WASHER 12 PCES 	D M6.5 X 9 SPRING WASHER 12 PCES 	G ALLEN KEY 1 PCE 
--	---	--	---

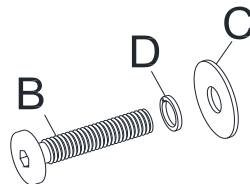
### Step 3

Take 4 of the assembled bolt sets from step 2 and affix the plate (part 2) to the pedestal (part 3) with the Allen key provided (item E). Fasten firmly, but do not over tighten, over tightening may surface of item.







### Step 4

Next you will need to assemble the M6 x 80 bolts (item B) with the M6.5 x 9 spring washers (item F) and the M6.5 x 19 flat washers (item E)

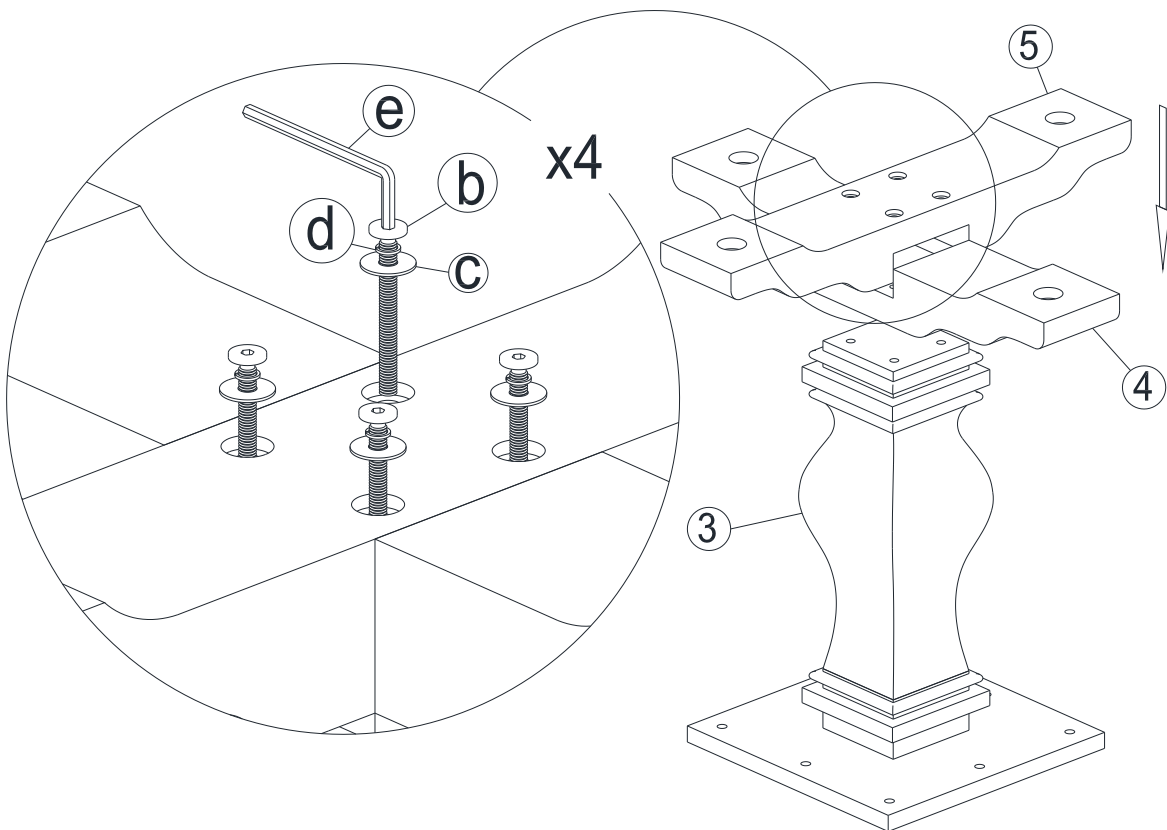


YOU WILL NEED

B M6 X 80 BOLT 4 PCES	C M6.5 X 19 FLAT WASHER 4 PCES	D M6.5 X 9 SPRING WASHER 4 PCES	G ALLEN KEY 1 PCE
			

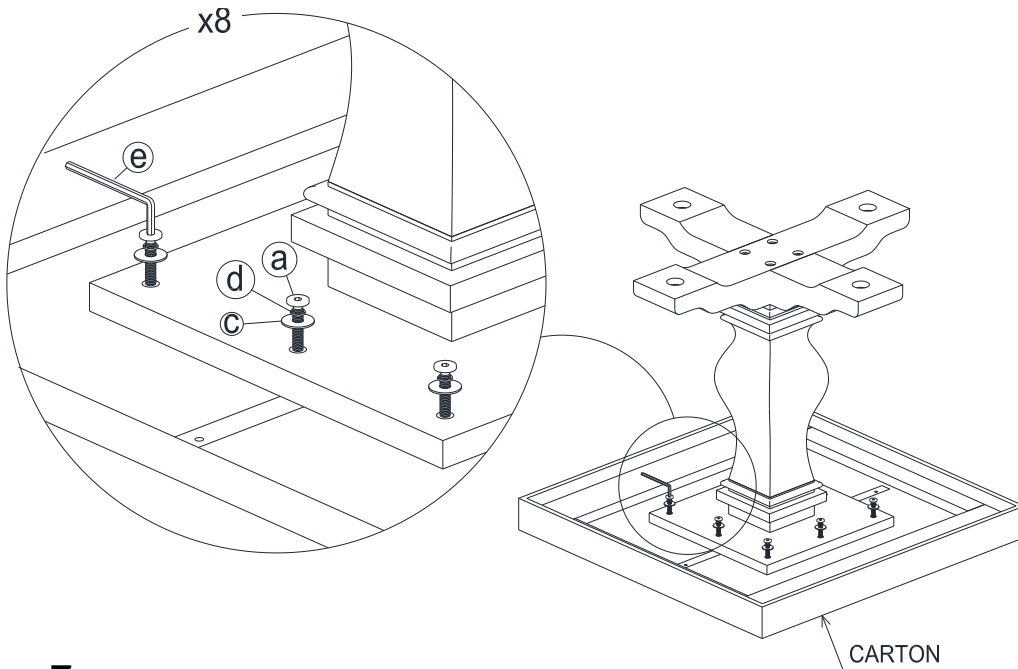
## Step 5

Start by **turning** the pedestal upside down, resting on the plate. Criss-cross the upper and lower legs as per the diagram below. Then fix the legs to the pedestal with the 4 assembled bolts set from step 4, using the Allen key provided (item E). Fasten firmly, but do not over tighten, over tightening may surface of item.



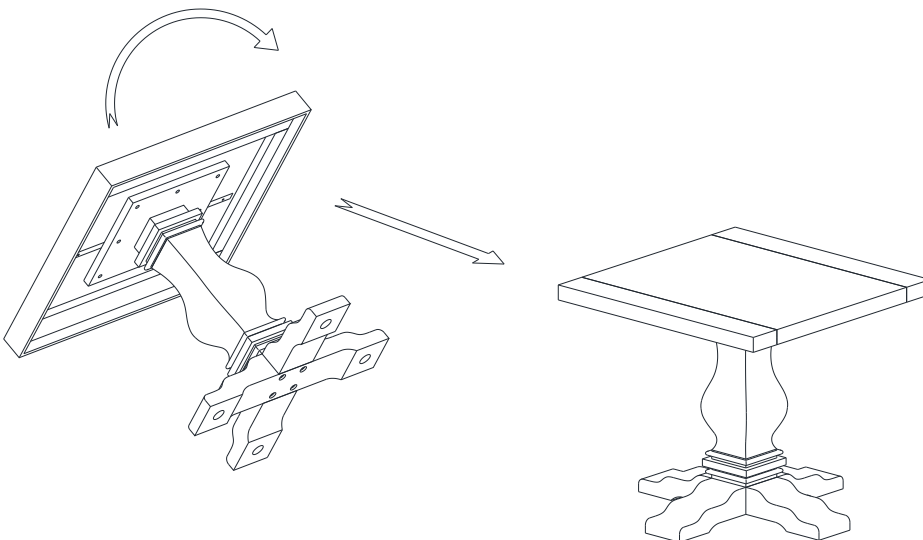
## Step 6

Take the remaining 8 assembled bolt sets from step 2 and use them to fasten the plate and pedestal structure to the table top. Use the Allen key provided (item E). Fasten firmly, but do not over tighten, over tightening may surface of item.



## Step 7

Finally flip the lamp table over. **This is a 2 person task do not do this alone.** Once the right way up, remove the packaging from the table top.





### Attaching the anti-tipping kit.

As wall types vary, we do not supply the screws that you will need, to fasten onto your wall. Please seek advice from you trusted local specialist.

#### Step 1

Attach one of the anchors to the underside of lamp table top.

#### Step 2

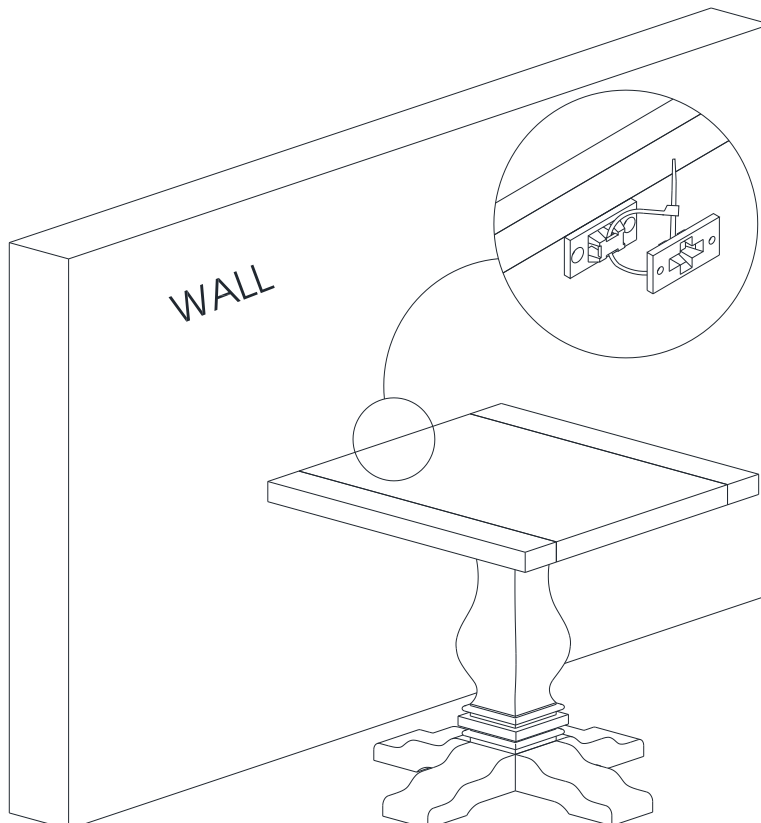
Mark the spot on the wall that will best line up with the anchors already fixed on the unit. For best results we recommend placing the wall anchor to one side and not directly inline with the unit anchor.

#### Step 3

After sourcing the correct screw system for your wall type, fasten the wall side of the anchor.

#### Step 4

Move the unit into position and lock the uni anchor to the wall anchor together with the cable tie supplied. Do for each anchor point on the unit.



Assembly is complete.

