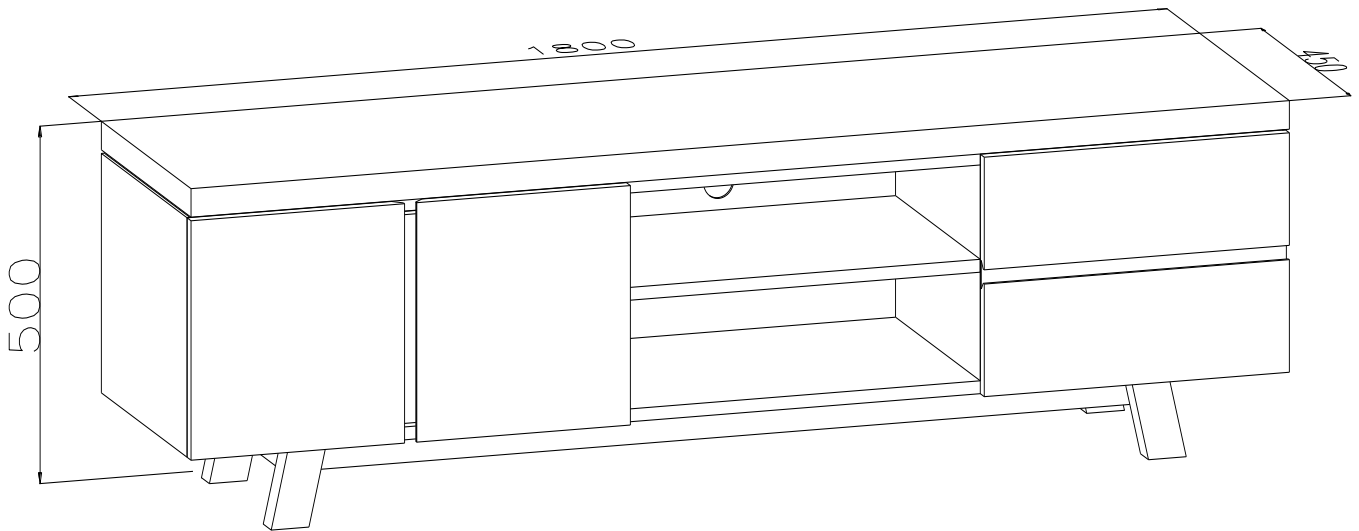




ASSEMBLY INSTRUCTION  
NORTH QUAY-ENTERTAINMENT UNIT  
ITEM CODE 58264

Imported by Super A-mart Pty Ltd, Qld, Brisbane Australia.  
For any assistance with assembly or for missing parts please phone  
Super A-mart Ewing Road, Customer Service Free call 1800 351 084




Imported by Super A-mart Pty Ltd, Qld, Brisbane Australia.  
For any assistance with assembly or for missing parts please phone  
Super A-mart Ewing Road, Customer Service Free call 1800 351 084

## PRE-ASSEMBLY PREPARATION

### Before you start:

1. Choose a clean, level, spacious assembly area. Avoid hard surfaces that may damage the product
2. Take care when lifting. Product should be assembled as near as possible to the point of use
3. Ensure that you have all required contents for complete assembly
4. Always read the assembly instructions carefully before beginning assembly.
5. Keep all hardware parts and packaging out of reach of small children.
6. Do not over tighten the screws and bolts as this may damage the threads

	
<b>ALLOW 15 MINUTES</b>	<b>2 PEOPLE REQUIRED</b>
 <p>We recommend using a allen key to put this item together. However if you choose to use a power drill it must be used on <b>LOW SPEED (LOW TORQUE)</b> as too much pressure could damage the product.</p>	
<b>ADDITIONAL TOOLS REQUIRED</b>	



## WARNING

**Serious or fatal injuries may occur from furniture toppling over. To help avoid this please follow the below recommendations:**

- Install the provided "Tipping Kit" as per the instructions
- Never allow children to climb on or hang off of any part of this product
- Unless specifically designed to accommodate, do not set TVs or other heavy objects on top of this product

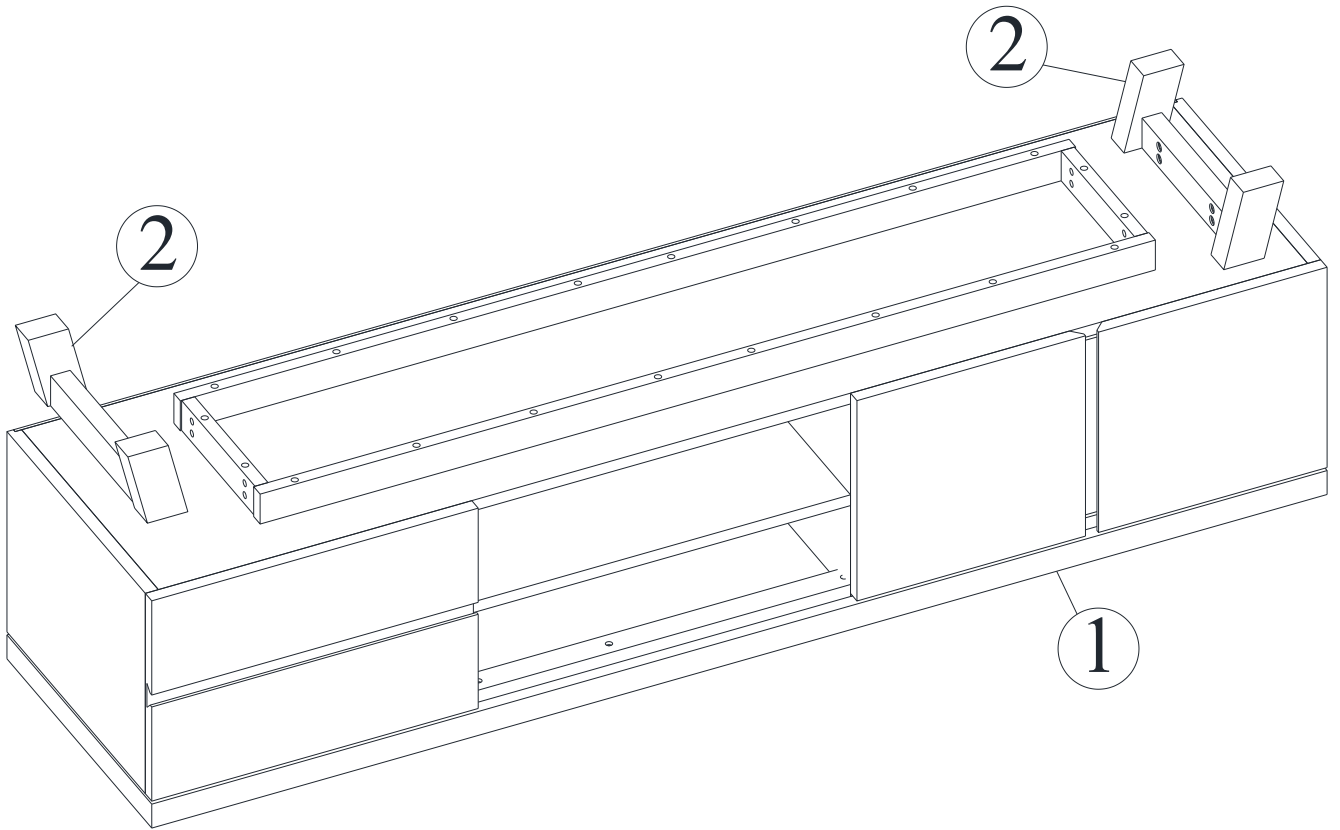
If this product has drawers:





- Place the heaviest items in lowest drawers
- Do not open more than 1 drawer at a time as this may cause the product to become unbalanced
- Do not tamper with or remove any drawer interlocking/running system

**Note: The use of the provided "Tipping Kit" may reduce but not necessarily eliminate the risk of furniture toppling over. Please use this product with caution.**

*This is a permanent label. Do not attempt to remove!*





# PARTS LIST



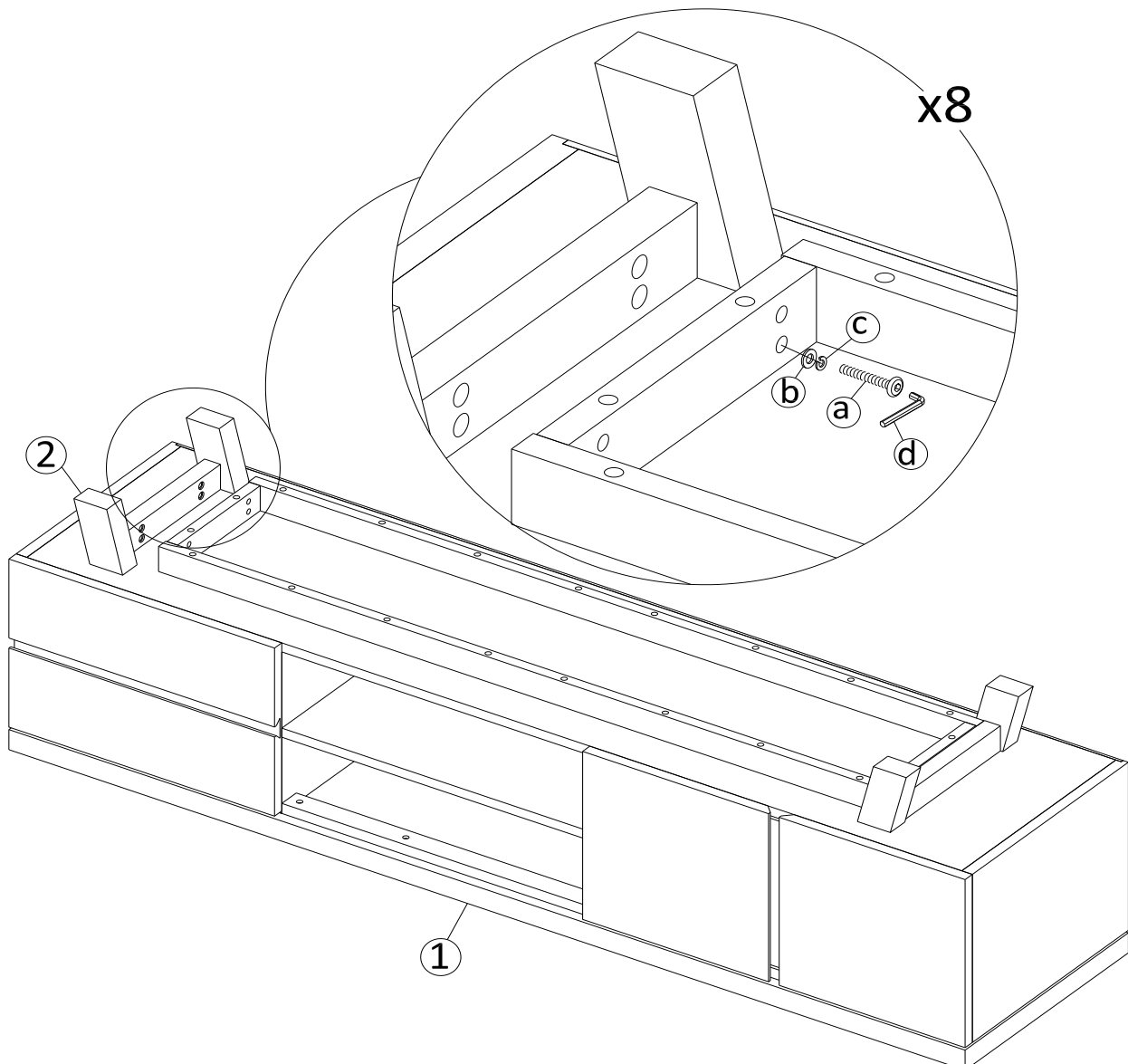
NO	DESCRIPTION	Qty									
1	CHEST	1									
2	LEGS	2									
a.	Bolt M6x40		b.	Flat Washer (Φ6.5xΦ19)		c.	Lock Washer (Φ6.5Xφ9)		d.	Allen key M4	
		8pcs			8pcs			8pcs			1pc

# 1

## ITEMS REQUIRED

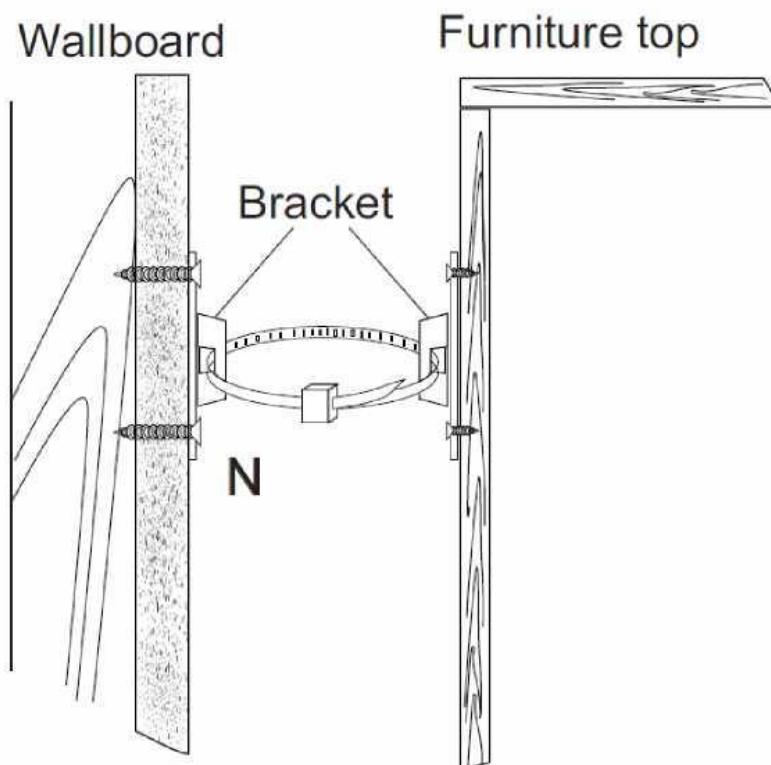
a. Bolt M6x40  8pcs	b. Flat Washer (Φ6.5xΦ19)  8pcs	c. Lock Washer (Φ6.5xΦ9)  8pcs	d. Allen key M4  1pc
--	---	--	---

- Attach leg ( 2 ) to chest (1) using bolts (a), Flat Washers(b) and Lock Washers(c).
- Tighten with Allen Key (d).
- With two people carefully turn over.

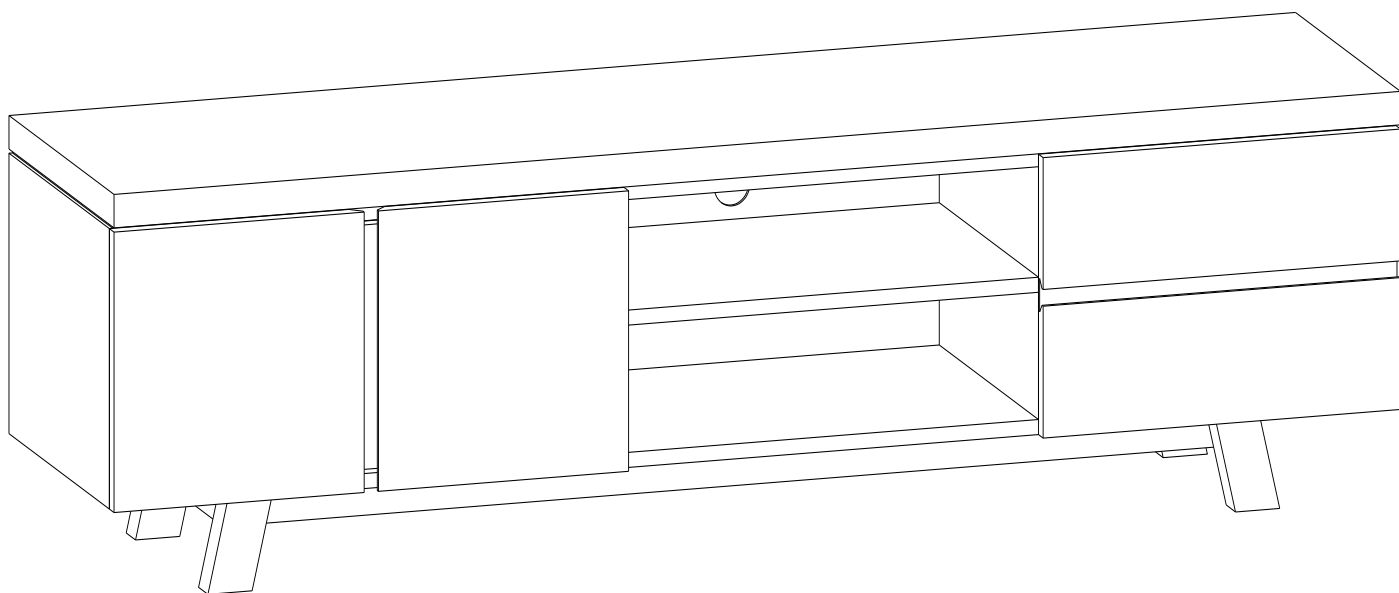


## 2 SAFETY BRACKETS INSTRUCTIONS

1. Attach one bracket to the wall, with the long screws as shown. Make sure to attach the bracket into a stud. If mounting onto brick or masonry, you will need to acquire wall anchors.
2. Attach a bracket to the furniture frame under the top with the short screws provided.
3. Move the furniture into its final position. Thread a strap through the bracket as shown in the illustration, tighten strap until snug. Do not over tighten.
4. Make sure the bracket is firmly attached to the wallboard and furniture, and the strap is snug.



**ASSEMBLY IS COMPLETE**





# Care label for timber items

---

- A multi-step finish is applied to all our furniture, but all wood comes from nature. Because of this, there will be natural variations in surface texture and grain like knots, mineral streaks and sap runs that may affect the finish. These differences in character are not defects, but distinctions that make each piece of furniture unique.
- Our furniture is built to last. Following these steps for basic care should protect your investment for years to come.
- Dust frequently with a clean damp lint-free cloth. This will help remove abrasive build up which can damage a finish over time.
- Do not place hot objects on any furniture surface. Always use a hot plate or placemat. Laminate and lacquer finishes on table tops provide added scratch and heat resistance to our furniture, but they can still be damaged without proper care.
- Avoid exposing your furniture to strong sunlight, heat outlet, open windows or dampness. Prolonged exposure to direct sunlight can fade the finish of your furniture, while extreme temperature and humidity changes can cause cracking or splitting.
- Do not expose your furniture to any liquids. Never allow water to sit on your furniture. Alcohol, nail polish and perfume are also dangerous as they will dissolve the lacquer finish on contact and may require professional repairs.
- Do not allow plastic to come in direct contact with your furniture. Chemicals in the plastic of placemats etc may soften and mark the finish if left in contact with the furniture for a period of time.