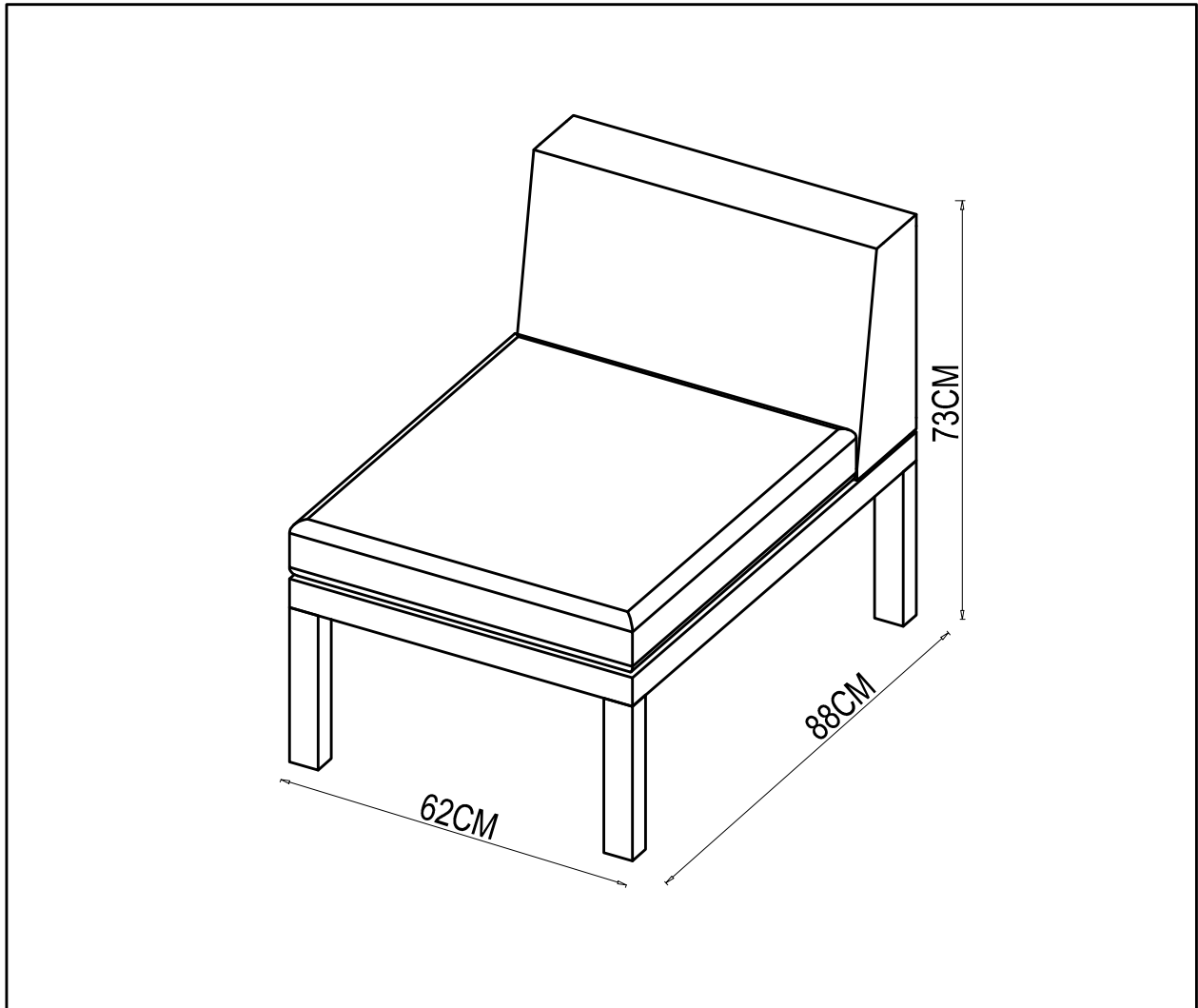


ASSEMBLY INSTRUCTION
TENERIFE OUTDOOR ARMLESS CHAIR
ITEM CODE - 75222

Imported by Amart Furniture Pty Ltd, Qld, Brisbane Australia .
For any assistance with assembly or for missing parts please phone
Amart Furniture , Customer Service Freecall 1800 351 084


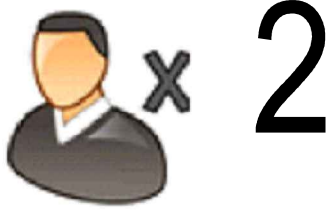


Imported by Amart Furniture Pty Ltd, Qld, Brisbane Australia .
For any assistance with assembly or for missing parts please phone
Amart Furniture, Customer Service Freecall 1800 351 084

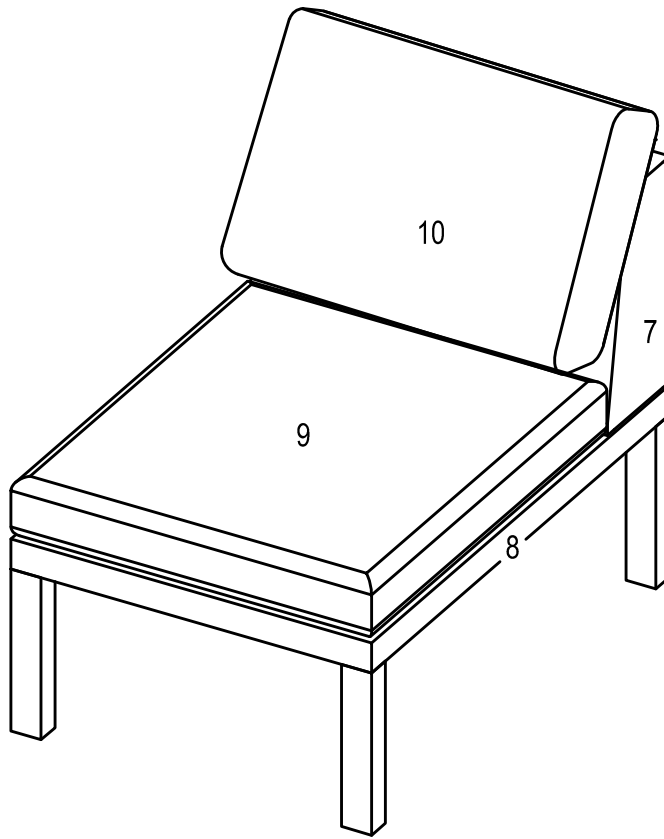
PRE-ASSEMBLY PREPARATION

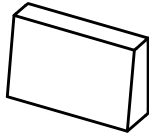

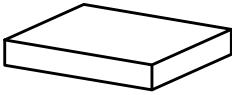
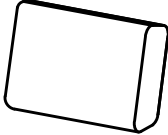
Before you start:



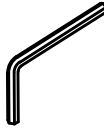
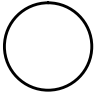

1. Choose a clean, level, spacious assembly area. Avoid hard surfaces that may damage the product.
2. Take care when lifting. Product should be assembled as near as possible to the point of use.
3. Ensure that you have all required contents for complete assembly.
4. Always read the assembly instructions carefully before beginning assembly.
5. Keep all hardware parts and packaging out of reach of small children.
6. Do not over tighten the screws and bolts as this may damage the threads.

	
ALLOW 20 MINUTES	PEOPLE REQUIRED
ADDITIONAL TOOLS REQUIRED	

PARTS LIST

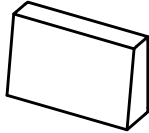


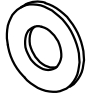
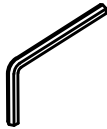


<p>7. Backrest</p>  <p>1PC</p>	<p>8. Seat</p>  <p>1PC</p>
<p>9. Seat Cushion</p>  <p>1PC</p>	<p>10. Back Cushion</p>  <p>1PC</p>

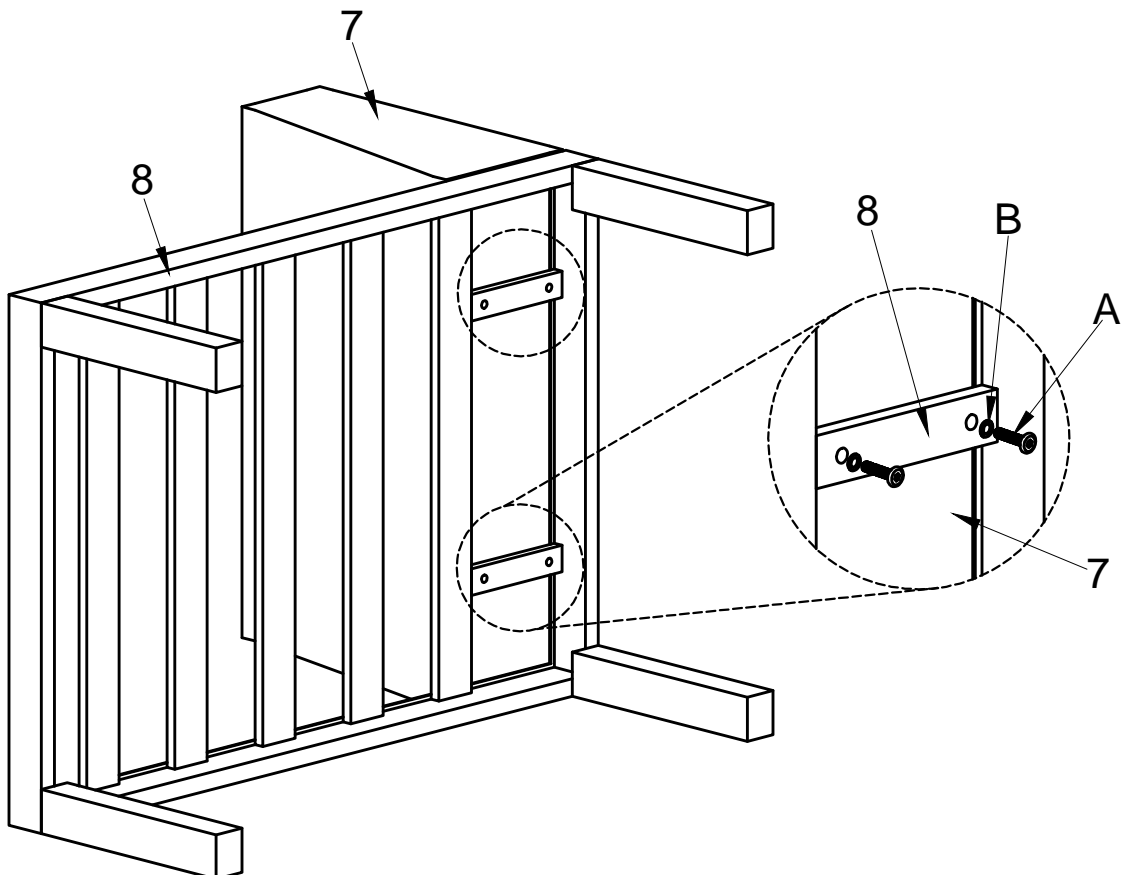
<p>A. Bolt</p>  <p>M6*30*4PCS</p>	<p>B. Washer</p>  <p>M6*4PCS</p>	<p>C. Allen Key</p>  <p>M6*1PC</p>	<p>D. Protective Pad</p>  <p>4PCS</p>
<p>E. U-shaped buckle</p>  <p>2PCS</p>			

Step 1:

ITEMS REQUIRED

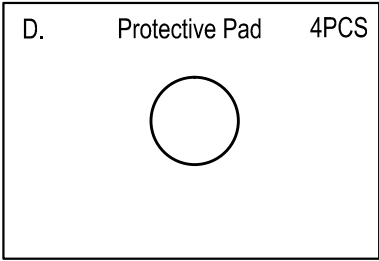
7. Backrest 1PC 	8. Seat 1PC 	
A. Bolt  M6*30*4PCS	B. Washer  M6*4PCS	C. Allen Key  M6*1PC

- Attach Backrest (7) to seat (8) using bolt (A) with washer (B) .
- Insert all bolts before fully tightening .
- Tighten with allen key (C) .

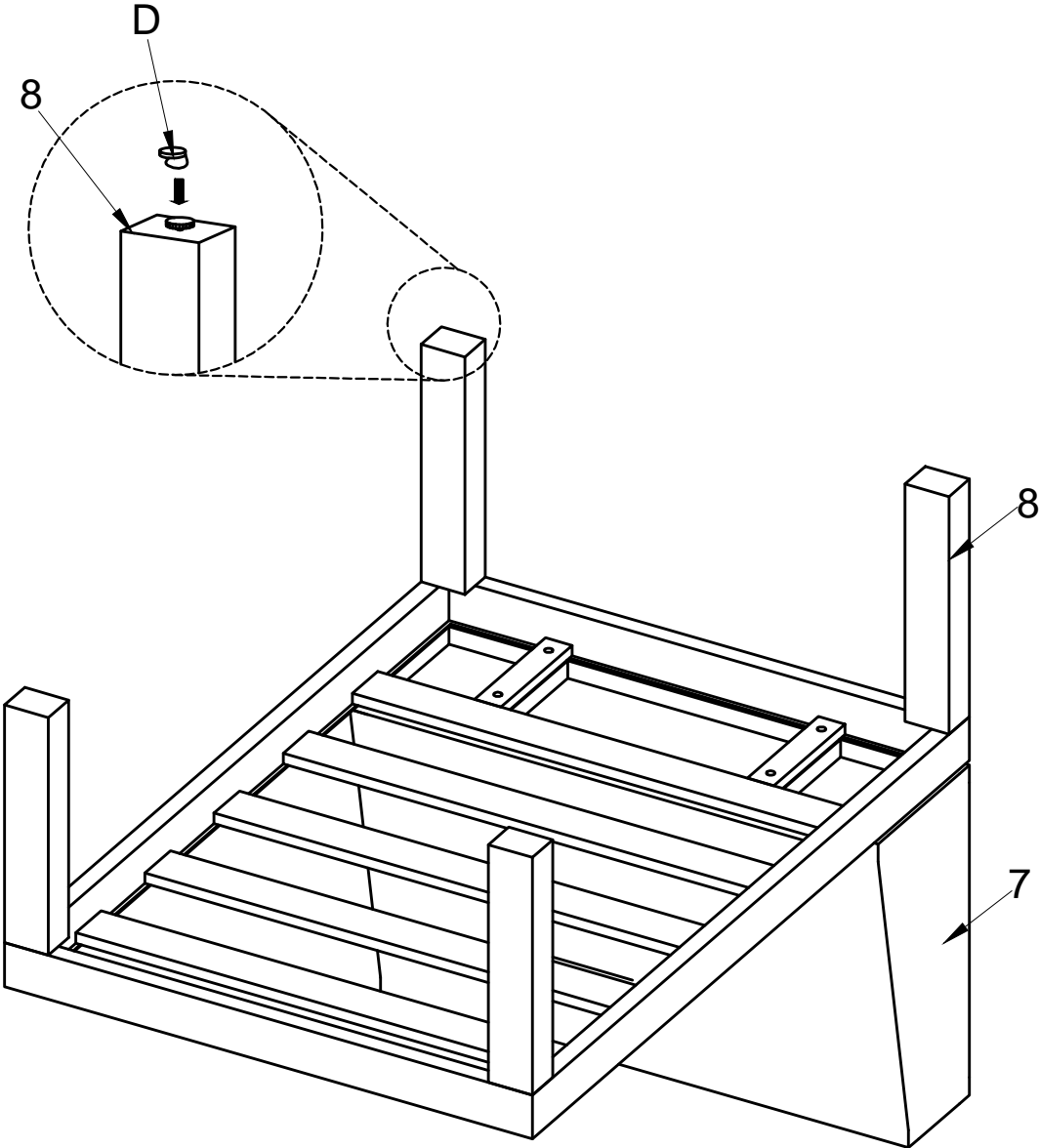


Step 2:

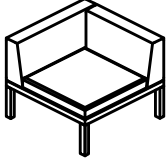
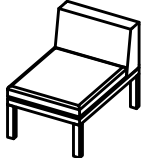

ITEMS REQUIRED



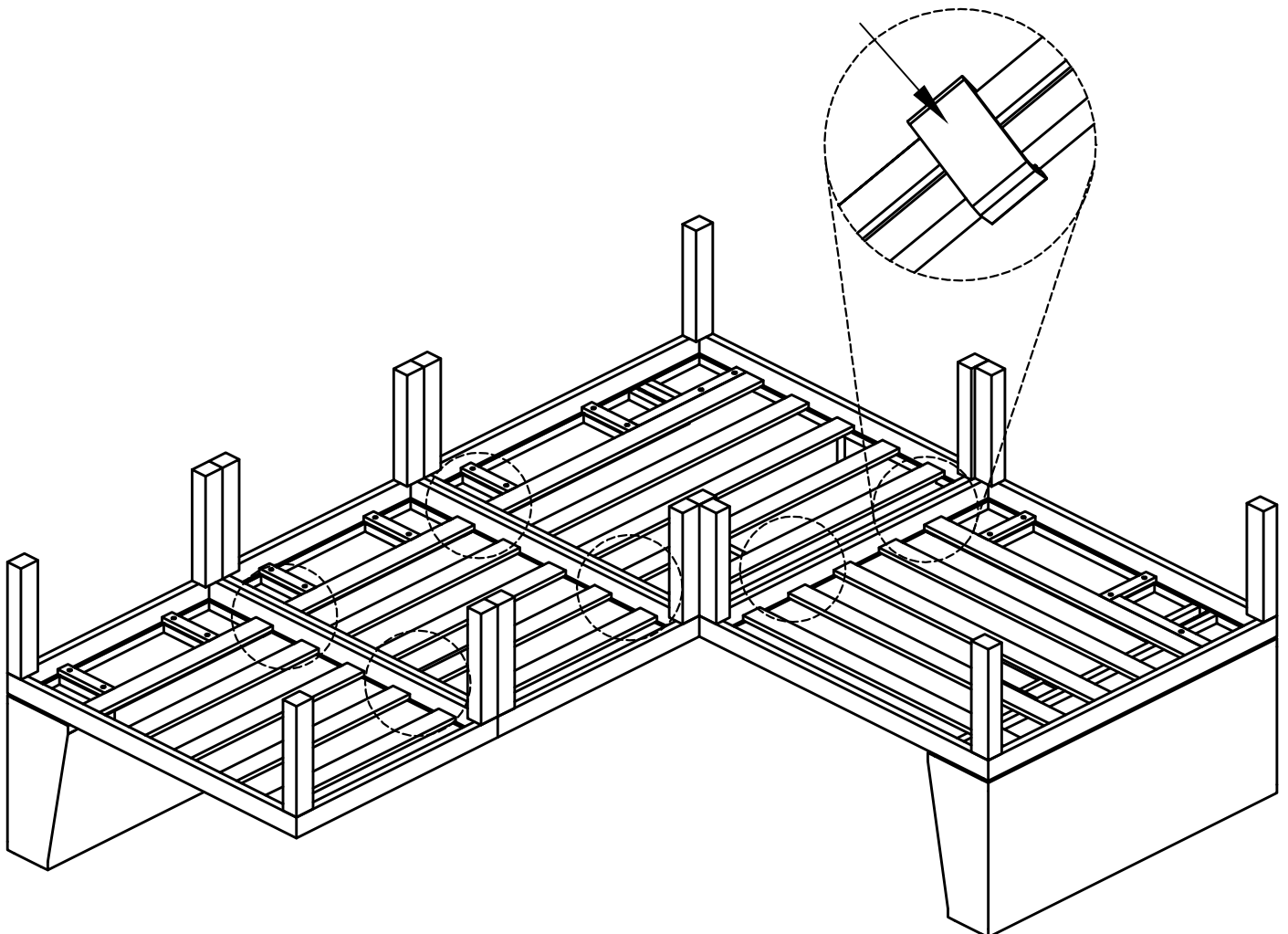
- Attach the protective pad (D) under the adjusting knob.



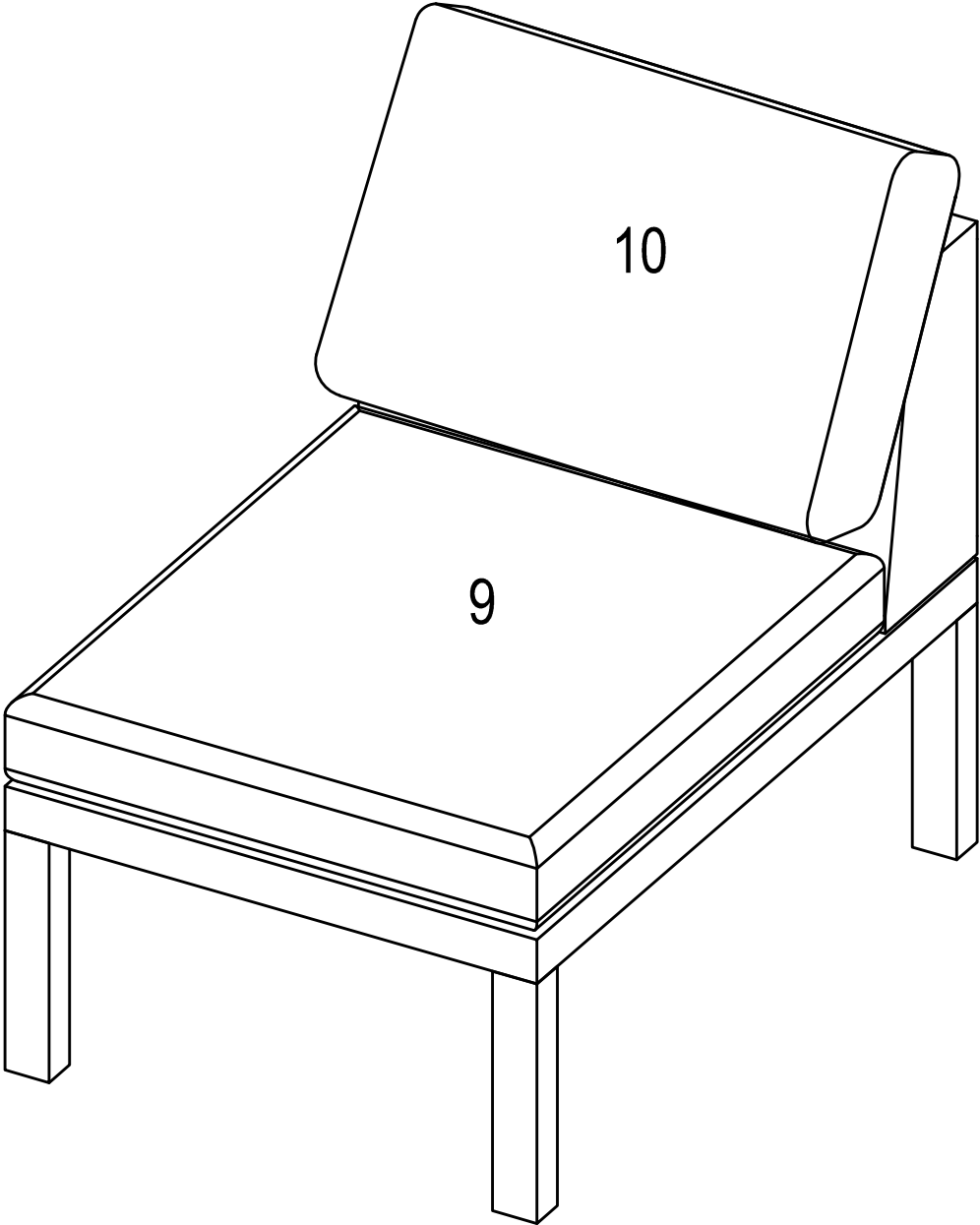
PART B:

Corner Chair 2PCS	Armless Chair 2PCS	E. U-shaped Buckle 6PCS
		

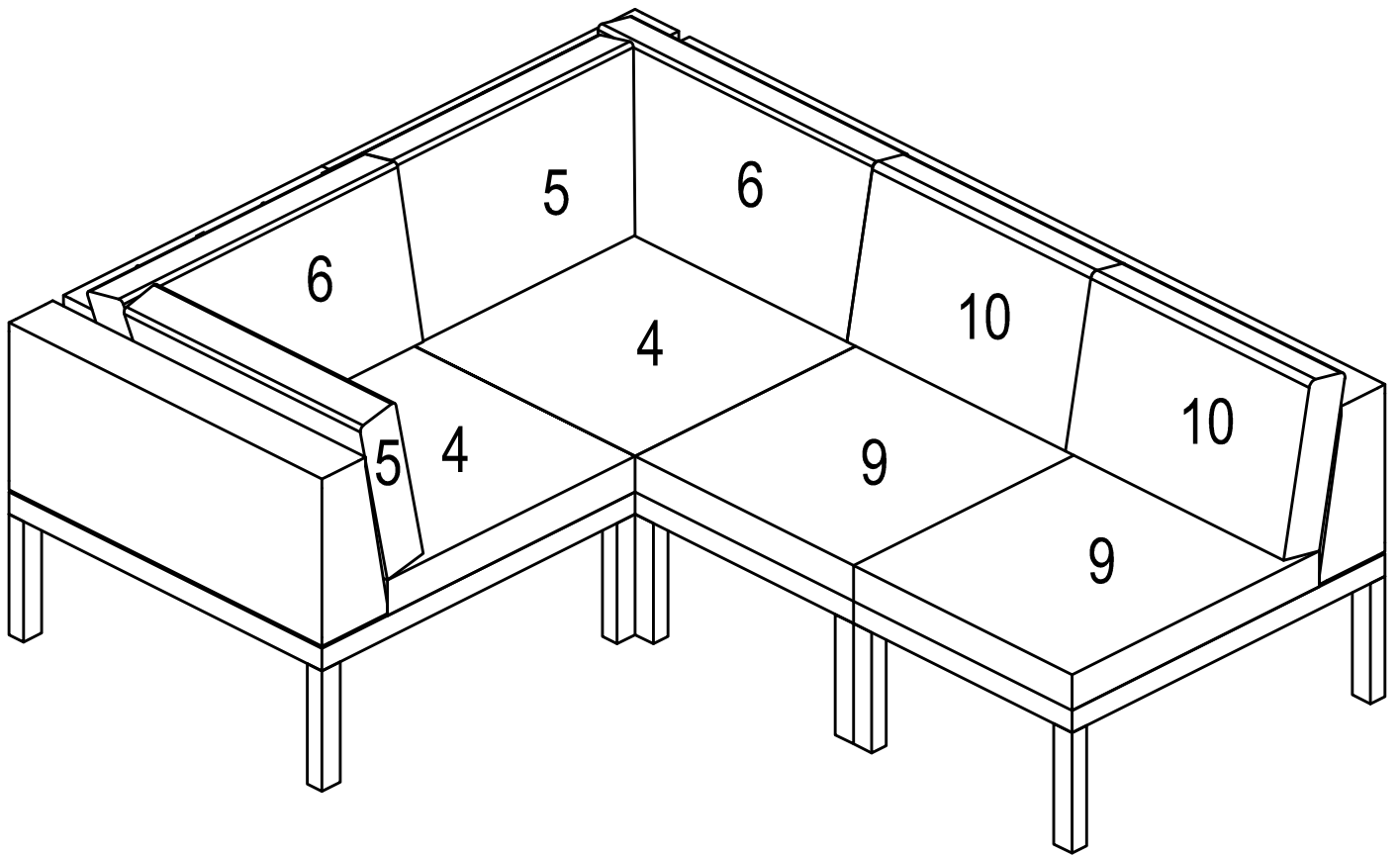
- Attach the corner chair to armless chair using U-shaped buckle (E) .
- You need two people to finish it .



ASSEMBLY IS COMPLETE



ASSEMBLY IS COMPLETE



Care and maintenance



Aluminium

- ☒ Item is designed for use outdoors. However we do not recommend leaving this product outside when not in use. To preserve the life of this item, avoid prolonged exposure to the elements & store inside/under cover or use an outdoor cover.
- ☒ DO NOT allow the furniture to be left in the rain or left wet for extended periods of time.
- ☒ Wipe furniture Dry immediately after it becoming wet.
- ☒ DO NOT clean your furniture down with any harsh solvents, abrasives or chemicals.
- ☒ To remove dirt and grime, simply rinse with fresh water or periodically clean using a sponge and mild detergent solution as required

Cushions

- ☒ Direct exposure to the Sun's harmful UV rays is likely to cause rapid colour fading to fabrics. For best results we recommend avoiding exposure to direct sunlight
- ☒ To ensure product longevity it is recommended outdoor products are not left permanently exposed to the elements
- ☒ Spot clean using mild detergent and damp cloth. Dry flat in shade
- ☒ Do not unzip
- ☒ Do not put in washing machine
- ☒ Do not tumble dry
- ☒ Do not bleach
- ☒ Do not dry clean
- ☒ Cool iron only