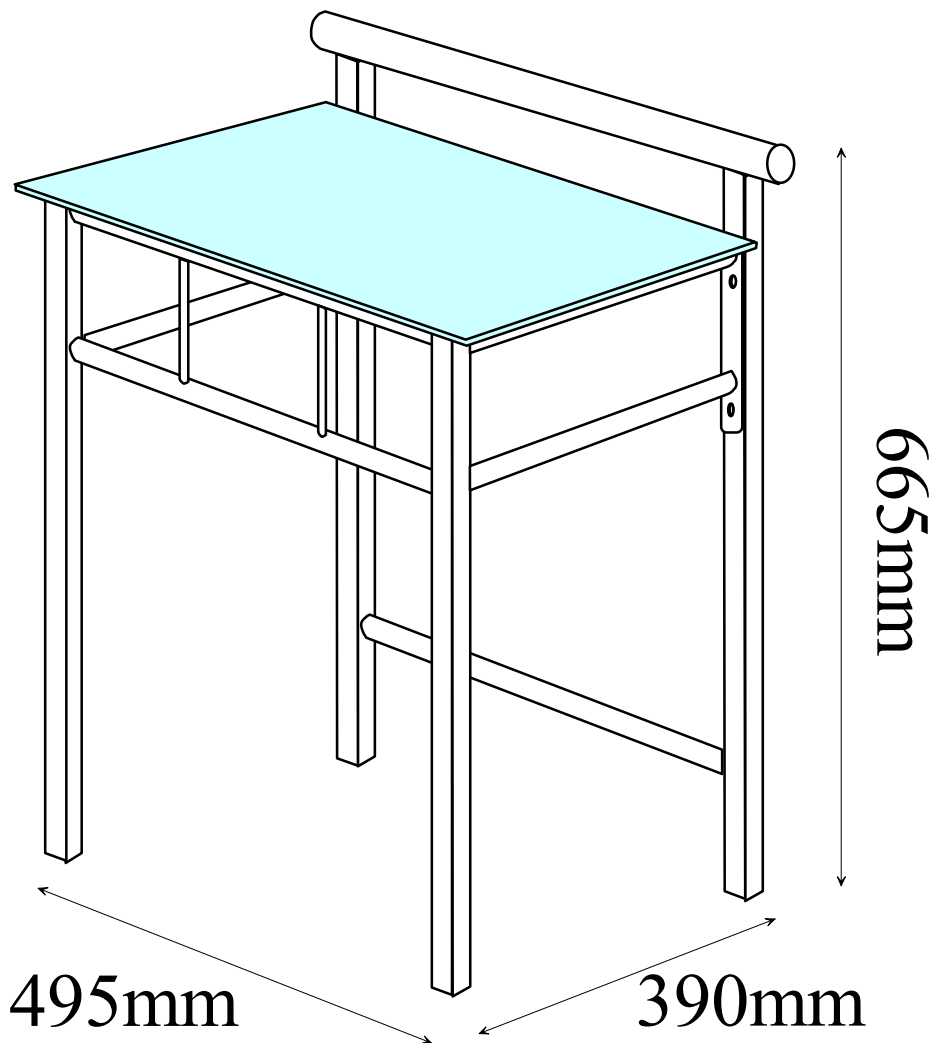




ASSEMBLY INSTRUCTION
FERRIS BEDSIDE CHEST
ITEM CODE - 50327

Imported by Amart Furniture Pty Ltd, Qld, Brisbane Australia.
For any assistance with assembly or for missing parts please phone
Amart Furniture, Customer Service Free call 1800 351 084



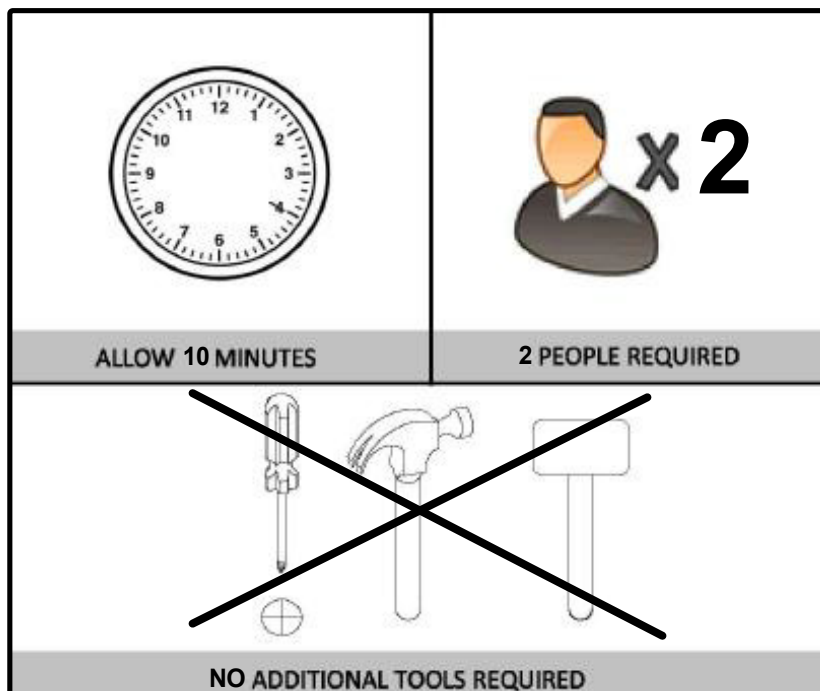
Imported by Amart Furniture Pty Ltd, Qld, Brisbane Australia.
For any assistance with assembly or for missing parts please phone
Amart Furniture, Customer Service Free call 1800 351 084



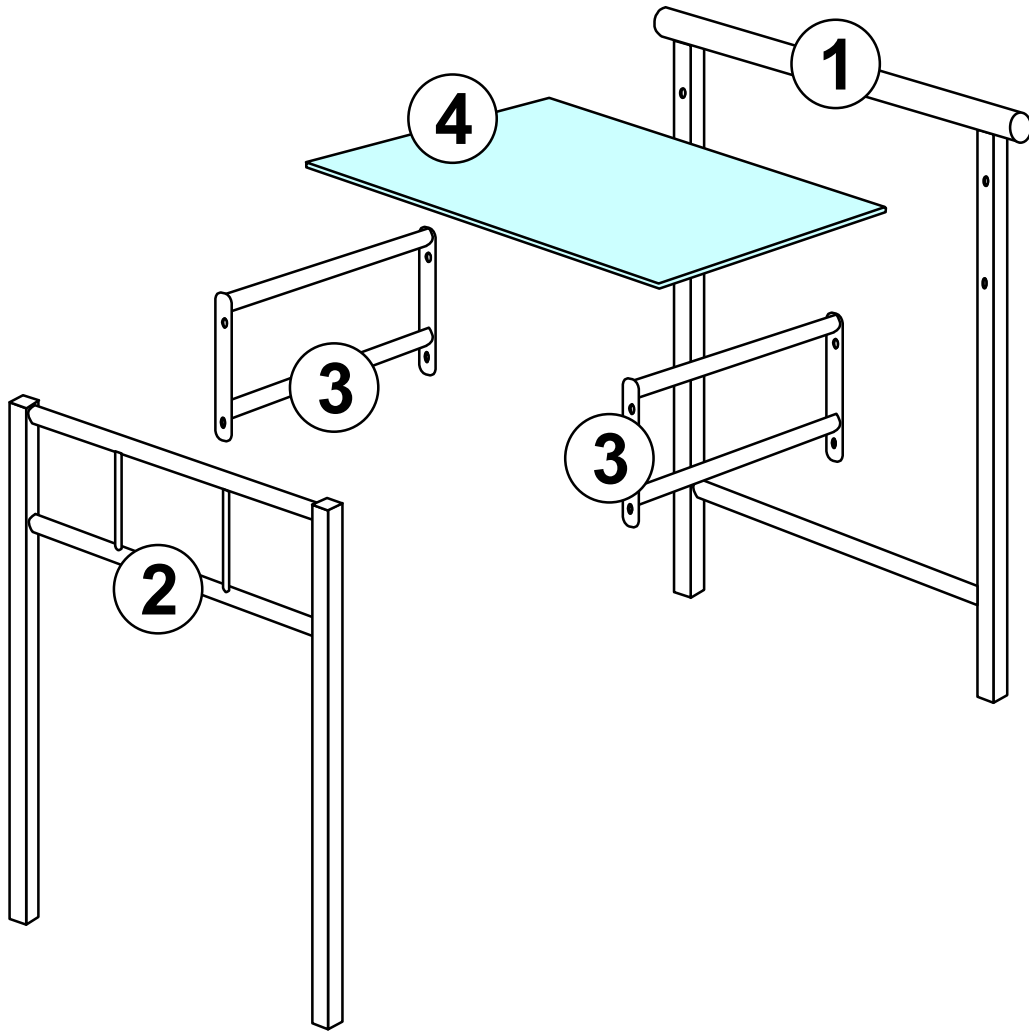
PRE-ASSEMBLY PREPARATION

Before you start:

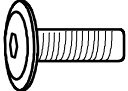


1. Choose a clean, level, spacious assembly area. Avoid hard surfaces that may damage the product
2. Take care when lifting. Product should be assembled as near as possible to the point of use
3. Ensure that you have all required contents for complete assembly
4. Always read the assembly instructions carefully before beginning assembly.
5. Keep all hardware parts and packaging out of reach of small children.
6. Do not over tighten the screws and bolts as this may damage the threads



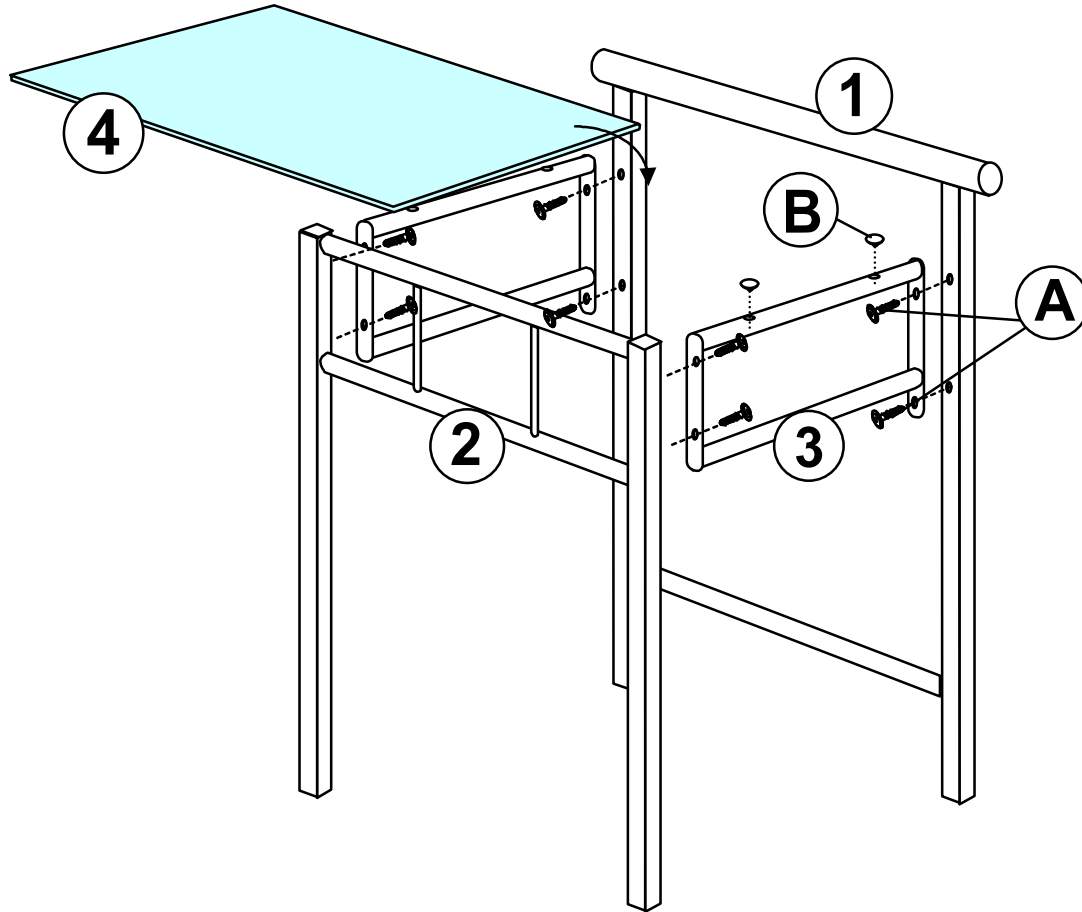
PART LIST



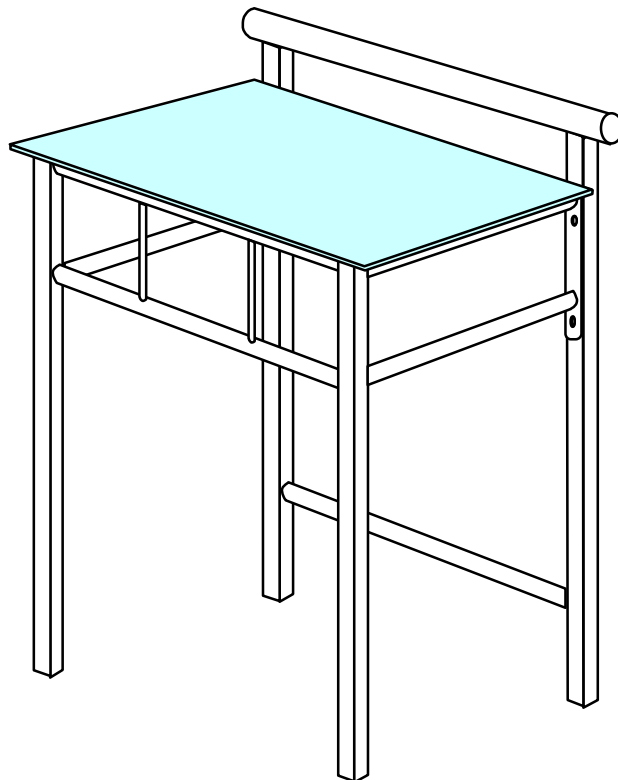
1	Back Framex 1pc	3	Side Bar x 2pcs
2	Front Framex 1pc	4	Tempered Glass x 1pc

<p>Ⓐ M6x20mm bolts x 8pcs</p> 	<p>Ⓑ Plastic Sucker x 4pcs</p> 	<p>Ⓒ M4 Allen Key x 1pc</p> 
---	--	---

ASSEMBLY..



ASSEMBLY IS COMPLETE..



CARE AND MAINTENANCE

GLASS

1. If the glass is chipped or broken, stop using the product and consult the place of purchase.
2. Do not drop, drag or strike glass.
3. Do not sit or stand upon the glass surfaces.
4. Do not place very hot or cold items on the glass unless adequately thick table mats.
5. are used to prevent such items coming in contact with the glass.
6. Do not place heavy objects on glass.
7. Avoid scratching the glass or using as a chopping surface.
8. Do not strike the glass with hard or pointed items.
9. When cleaning the glass panels, use a damp cloth with washing up liquid or soft soap if necessary. Do not use washing powders or any other substances containing abrasives that may potentially scratch the glass.

FURNITURE/ BED

1. When assembling your furniture/ bed please ensure that you have checked the contents for all relevant parts.
2. When tightening bolts make sure that they are fully tightened but not forced.
3. When moving your fully assembled bed you must first remove the mattress and lift the frame into position, take care when lifting and always have two people handling the bed. PLEASE DO NOT DRAG THE BED as this will cause damage to the rail.
4. It is advisable to use approved cleaning products when cleaning the furniture and bed frame as certain chemical based cleaners could have an adverse effect on the bed finish.