



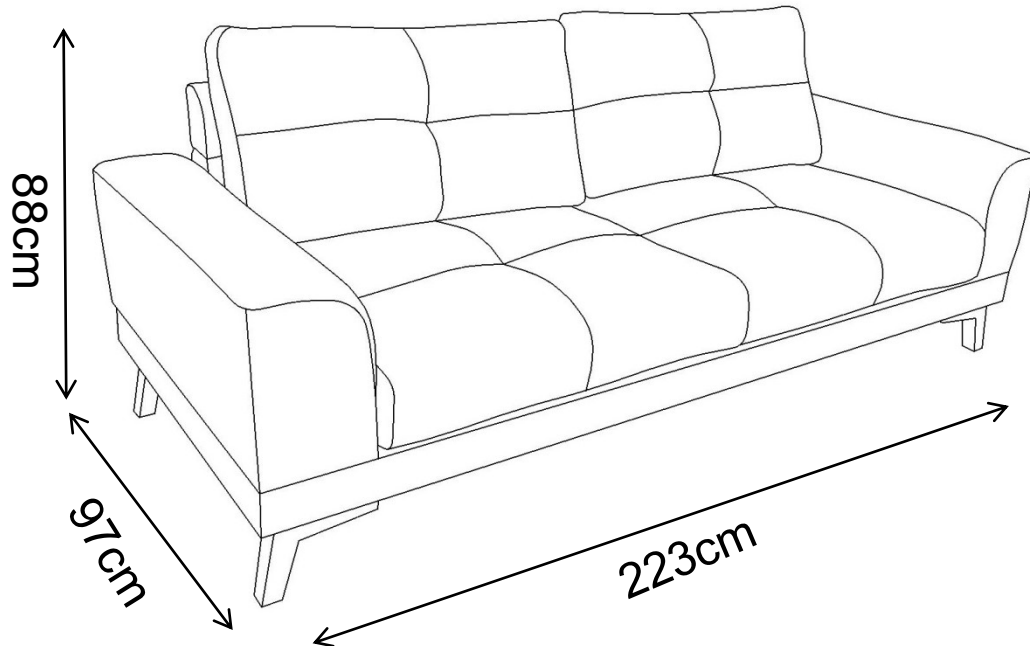
ASSEMBLY INSTRUCTION

CHLOE 3 SEAT SOFA

ITEM CODE: 73197

Imported by Amart Furniture Pty Ltd, Qld, Brisbane Australia.


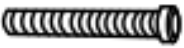




For any assistance with assembly or for missing parts please phone Amart Furniture, Customer Service Free call 1800 351 084



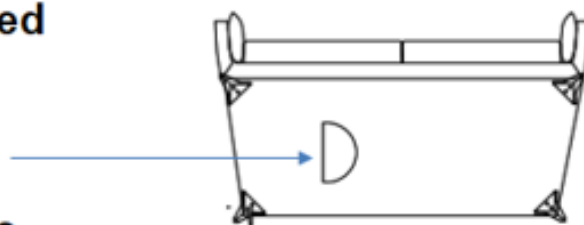
Imported by Amart Furniture Pty Ltd, Qld, Brisbane Australia.

For any assistance with assembly or for missing parts please phone Amart Furniture, Customer Service Free call 1800 351 084

Hardware List:

NO.	Picture	Description	Sofa
A	 H:17CM	Metal Leg	4pcs
B	 M8×20MM	Bolt	8pcs
C	 M8	Allen Key	1pc
D	 16MM	Metal Washer	8pcs
E		Plastic Washer	1pc
F	 H:17CM	Plastic Leg	1pc

Hardware and Legs are located in dust cover zipper compartment underneath the lounge.



PRE-ASSEMBLY PREPARATION

Before you start:

1. Choose a clean, level and spacious assembly area. Avoid hard surfaces that may damage the product
2. Take care when lifting. Product should be assembled as close as possible to the point of use
3. Ensure that you have all required contents for complete assembly
4. Always read the assembly instructions carefully before beginning assembly
5. Keep all hardware parts and packaging out of reach of small children
6. Do not over tighten the screws and bolts as this may damage the threads

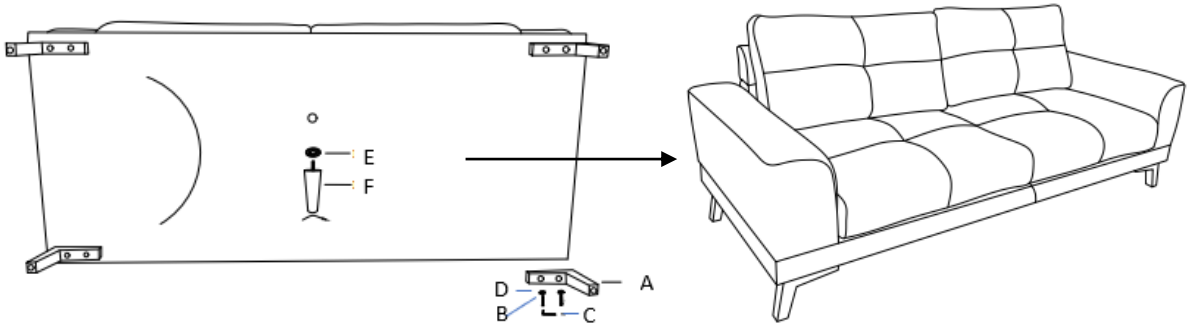


ALLOW **10** MINUTES

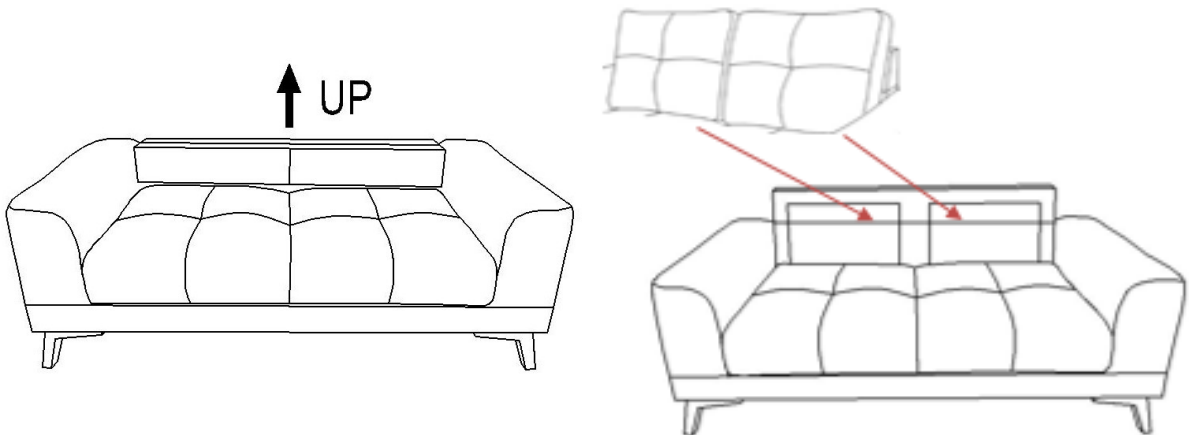


2 PEOPLE REQUIRED

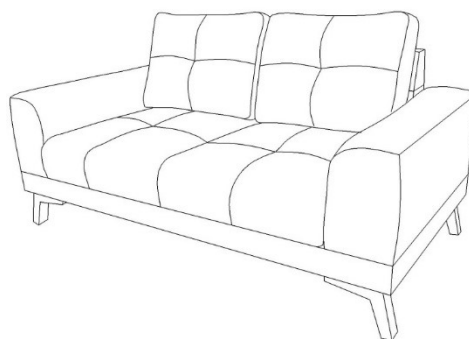
STEP 1: Turn over onto blanket or carpet to ensure no damage to item. Attach Metal Leg (A) to sofa base using bolt(B) and washers(D) turning clockwise until 90% tightened by hand. Use Allen Key (C) to tighten securely. Place washer (E) and plastic leg (F) in the centre hole and rotate until secure.



STEP 2: Lift the backrest of the sofa upwards and place cushions in front of the backrest.



STEP 3: Assembly complete



**IMPORTANT: PLEASE ENSURE FEET ARE TIGHTENED SECURELY BEFORE USE!
WARNING – Do not drag lounge on any surface due to timber base, must be lifted.
Two person Lift Recommended**

Fabric Care and Maintenance



REGULAR CARE:

- Protect from direct sunlight
- Vacuum regularly using low suction
- Rotate reversible cushions regularly

CLEANING:

- Do not remove cushion covers for separate cleaning even though they may have zippers
- Do not wash, Do not dry clean, Do not shampoo clean
- Clean with hot water extraction machine. Professional cleaning recommended
- Do not use dishwashing liquid or laundry detergent
- Use only upholstery detergents
- Do not wet filling
- Dry in shade away from direct heat and sunlight
- Allow to dry thoroughly before re-use

SPOT CLEANING:

- Do not rub
- Do not spot clean with any solvent
- Treat spills and stains as soon as possible
- Gently scrape off any soil or mop any liquid from the surface of the fabric
- Apply proprietary cleaning agents strictly according to instructions to remove the residue of the spill
- Do not saturate the fabric or interior with water or other cleaning liquids

WARNING:

Apply only water-based soil resist (fabric protection) treatments. Do not use aerosol products

*** PILLING IS NOT A FABRIC DEFECT OR FAULT AND IS NOT COVERED BY WARRANTY**

*** PILLING IS A NORMAL OCCURRENCE CAUSED BY WEAR AND TEAR AND DOES NOT AFFECT THE DURABILITY OR FUNCTIONALITY OF THE FABRIC AND IS EASILY REMOVED**

Pilling Maintenance:

Pilling is a natural occurrence in woven fabrics and is not a product fault. You can maintain your sofa by the use of a battery operated de-pilling machine as the need arises.