

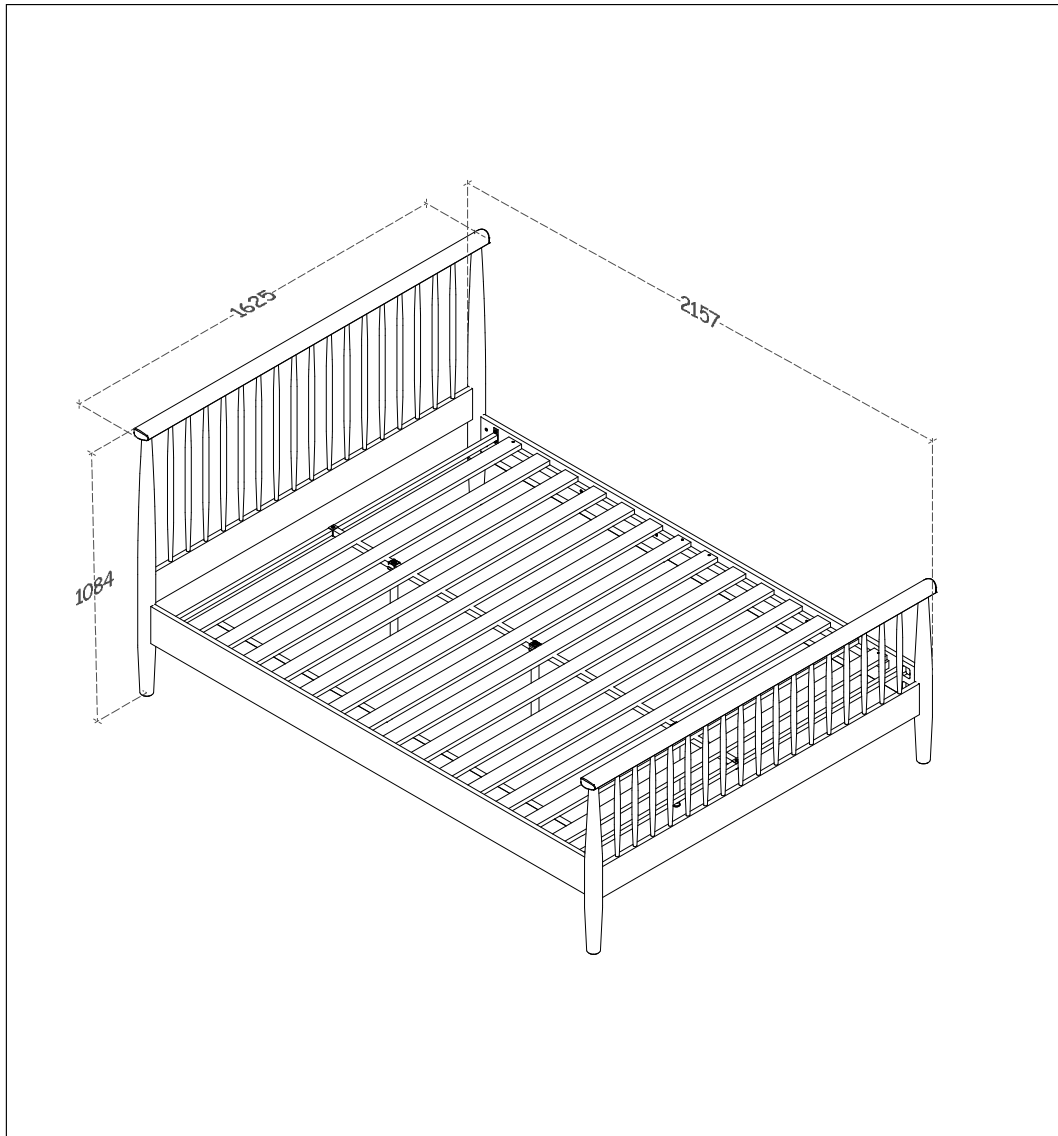


**ASSEMBLY INSTRUCTION
MALLORY QUEEN BED
ITEM CODE - 67093**

Imported by Amart Furniture Pty Ltd, Qld, Brisbane Australia.

For any assistance with assembly or for missing parts please phone

Amart Furniture, Customer Service Freecall 1800 351 084.

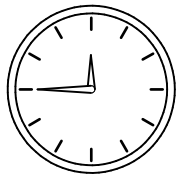
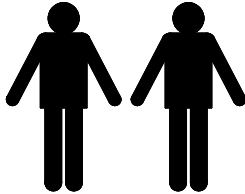
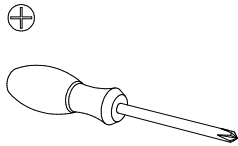
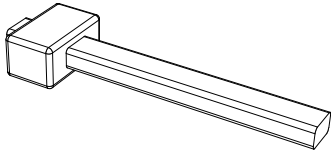


Imported by Amart Furniture Pty Ltd, Qld, Brisbane Australia. For any assistance with assembly or for missing parts please phone Amart Furniture, Customer Service Freecall 1800 351 084.

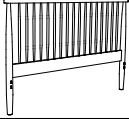
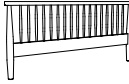



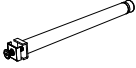
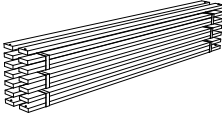
PRE-ASSEMBLY PREPARATION

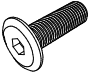
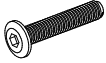
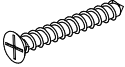
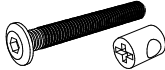
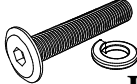
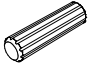


BEFORE YOU START....

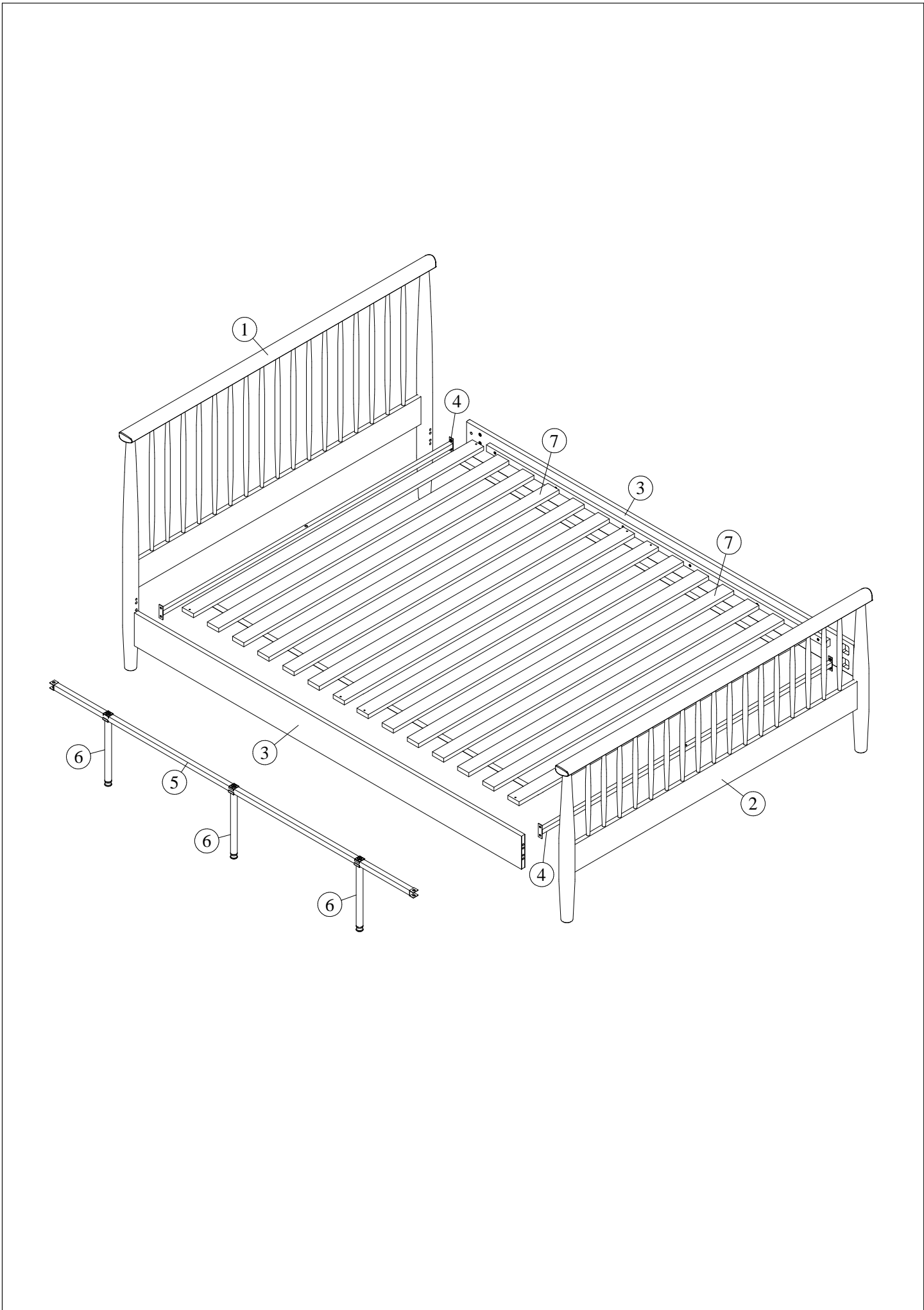
1. Choose a clean, level, spacious assembly area. Avoid hard surfaces that may damage the product.
2. Check and ensure that you have all required contents for complete assembly.
3. Always read the assembly instructions carefully before beginning assembly.
4. The packaging and contents can be a choking hazard, therefore keep out of reach of small children at all items.
5. Do not over tighten the bolts as this may damage the thread.

| | |
|---|--|
|  |  |
| ALLOW 45 MINUTES | 2 PEOPLE REQUIRED |
|  |  |
| ADDITIONAL TOOLS REQUIRED | |

PARTS LIST

| NO. | PART | QTY. | PICTURE | PACKING CARTON |
|-----|--|--------|---|----------------|
| 1 | HEAD BOARD | 1 PC |  | 1/3 |
| 2 | FOOT BOARD | 1 PC |  | 2/3 |
| 3 | SIDE RAIL - L/R | 2 PCS |  | 3/3 |
| 4 | CROSS BAR | 2 PCS |  | 3/3 |
| 5 | CENTRE BAR | 1 PC |  | 3/3 |
| 6 | SUPPORT LEG c/w JCBB Bolt M8x40mm | 3 PCS |  | 3/3 |
| 7 | WOOD SLAT (7pcs/set) - 18mm x 59mm x 1523mm | 2 SETS |  | 3/3 |

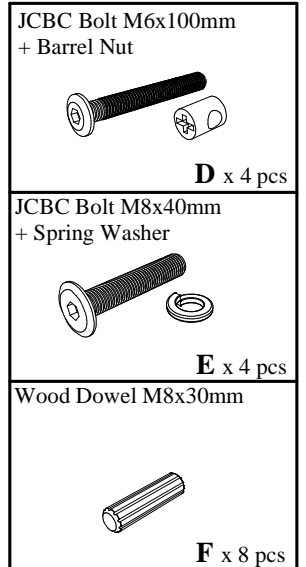
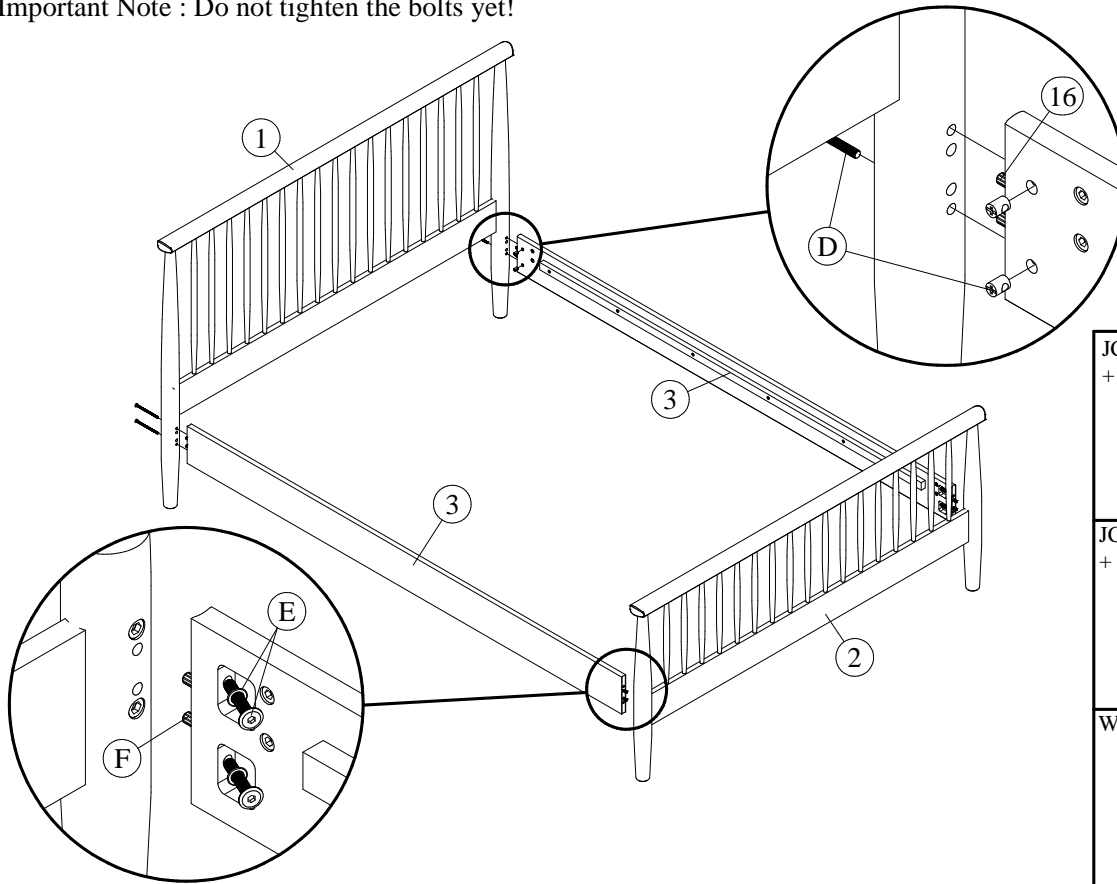
| | | | |
|--|--|---|--|
| <p>JCBC Bolt M6x15mm</p>  <p>A x 8 pcs</p> | <p>JCBC Bolt M6x30mm</p>  <p>B x 2 pcs</p> | <p>CSK Chipboard Screw #4 x 30mm</p>  <p>C x 8 pcs</p> | <p>JCBC Bolt M6x100mm + Barrel Nut</p>  <p>D x 4 pcs</p> |
| <p>JCBB Bolt M8x40mm + Spring Washer</p>  <p>E x 4 pcs</p> | <p>Wood Dowel M8x30mm</p>  <p>F x 8 pc</p> | <p>Allen Key - M6</p>  <p>G x 1 pc</p> | <p>Allen Key - M8</p>  <p>H x 1 pc</p> |



STEP 1 :

Attach side rail (3) to head frame (1) and foot frame (2) using hardware (D), (E) and (F).

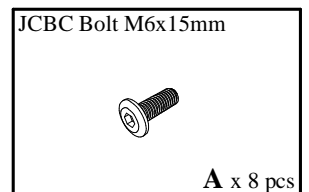
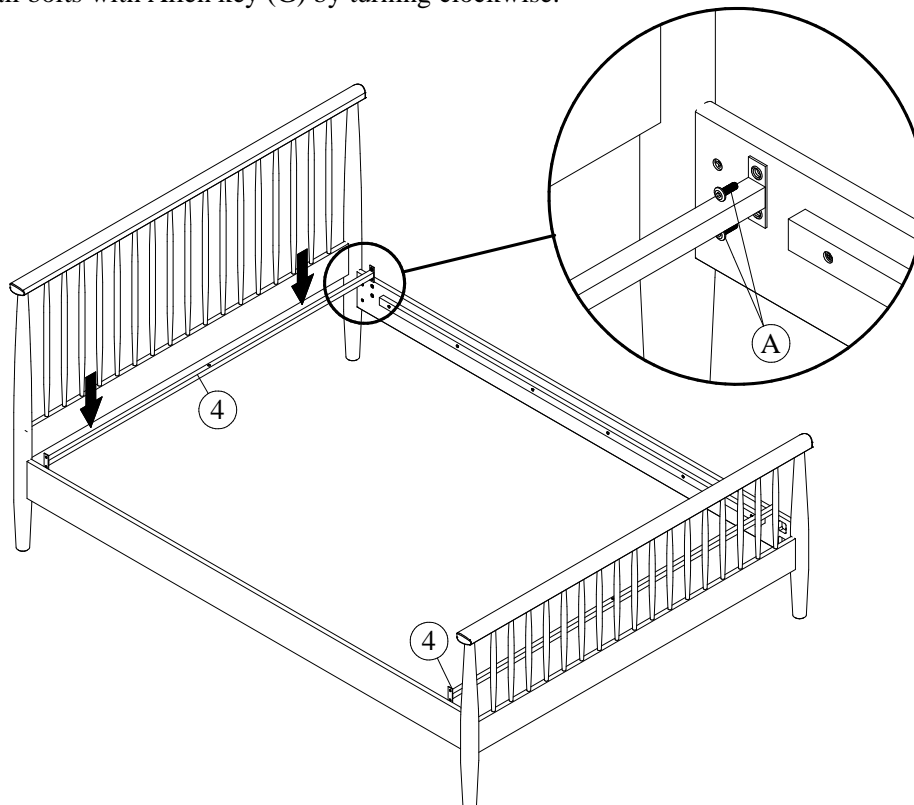
Important Note : Do not tighten the bolts yet!



STEP 2 :

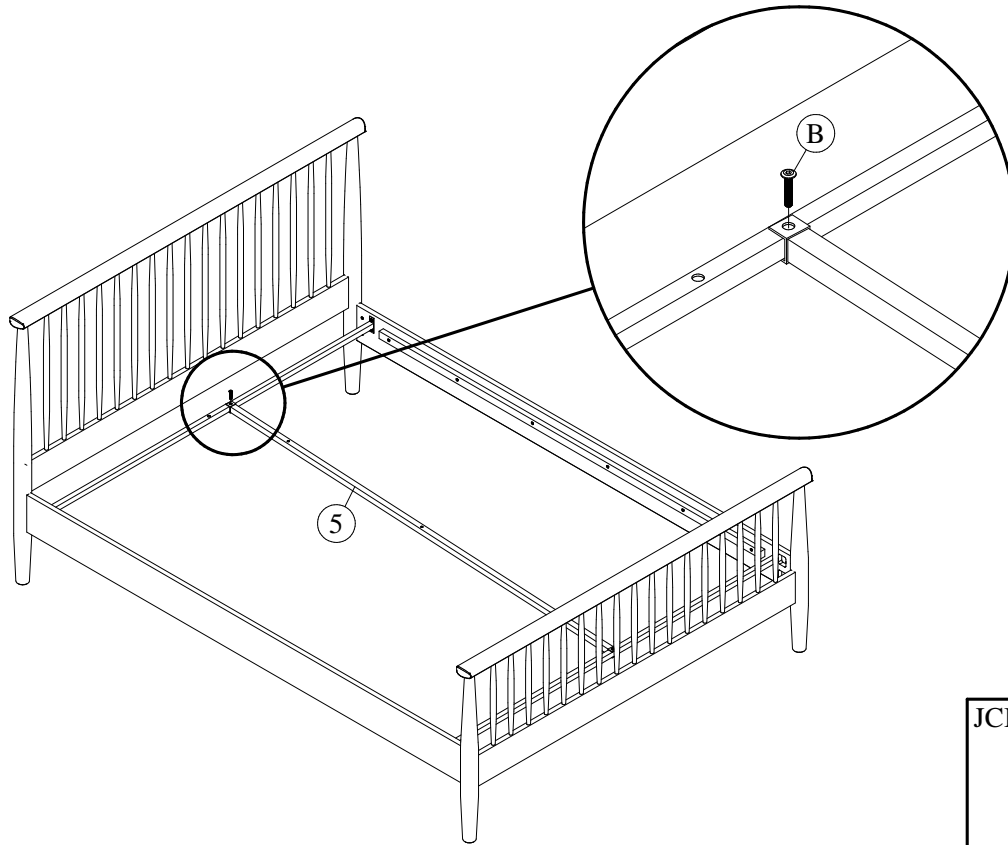
Attach cross bars (4) to side rails (3) at head end with bolts (A) as shown in diagram. Repeat at foot end.

Tighten all bolts with Allen key (G) by turning clockwise.

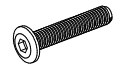


STEP 3 :

Fix centre rail (5) to cross bars (4) with bolts (B) using Allen key (G) as shown below.



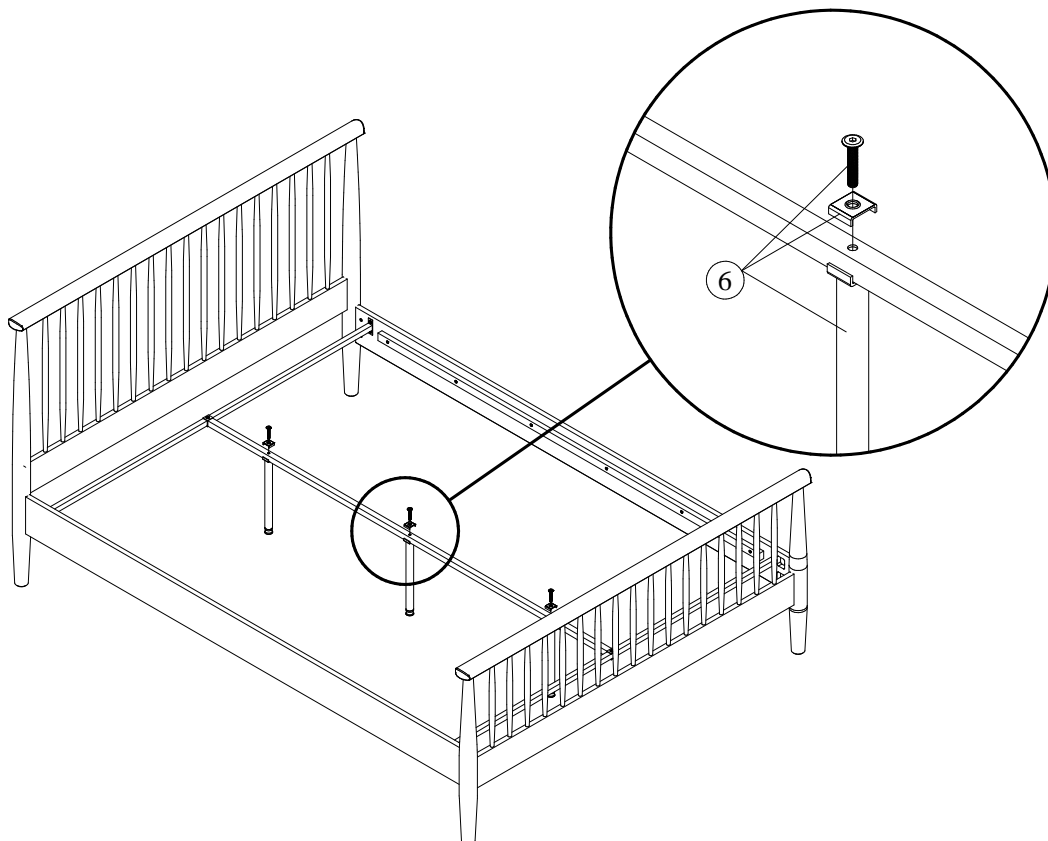
JCBC Bolt M6x30mm



B x 2 pcs

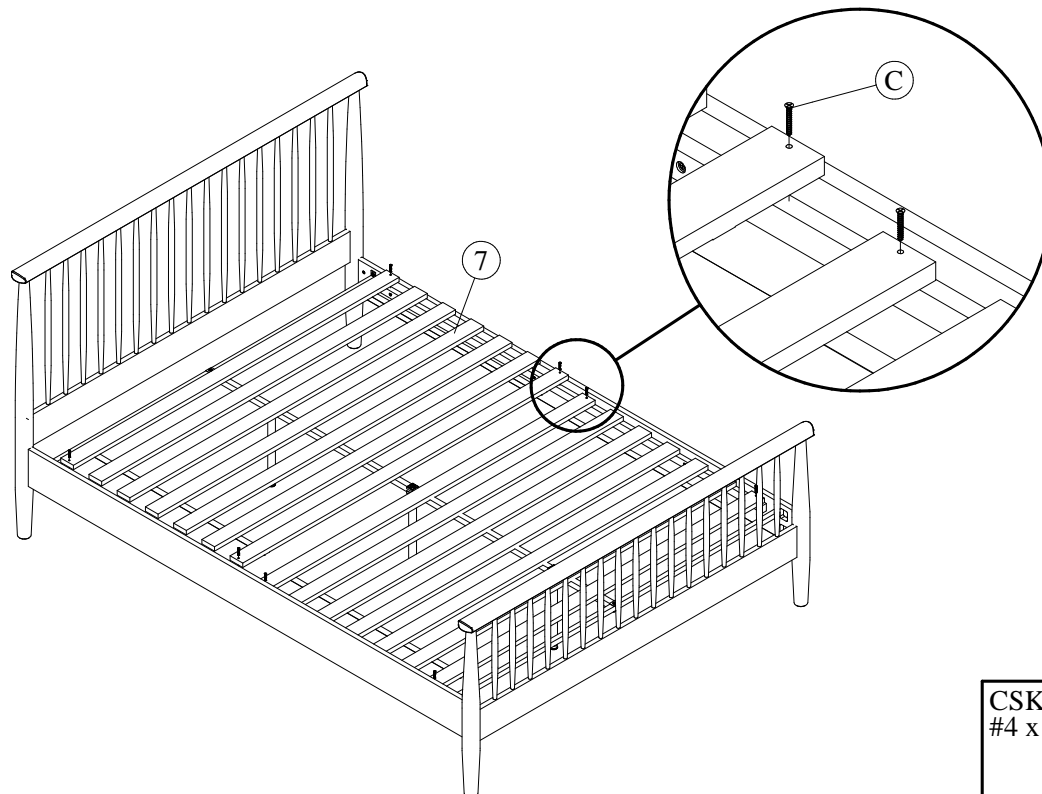
STEP 4 :

Attach support legs (6) to centre rail with bolts using Allen key (H) as shown.

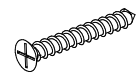


STEP 5 :

Insert wooden slats (7) into the side rail support and fix with screws (C) at hole as shown below.



CSK Chipboard Screw
#4 x 30mm



C x 8 pcs

ASSEMBLY IS COMPLETE



Product Care for Hi-Gloss Items

Hi-gloss lacquered furniture is more sensitive to marks and scratching than some other furniture products. It is important to exercise caution and care to maximise the life and beauty of this product.

Following the below simple guidelines when using your hi-gloss product will protect your investment for years to come.

- Dust frequently with a clean damp lint-free cloth. This will help remove abrasive build up which can damage a finish over time.
- Do not place hot objects on any furniture surface. Always use a hot plate or placement. Laminate and lacquer finishes on table tops provide added scratch and heat resistance to our furniture, but they can still be damaged without proper care.
- Avoid exposing your furniture to strong sunlight, heat outlet, open windows or dampness. Prolonged exposure to direct sunlight can fade the finish of your furniture, while extreme temperature and humidity changes can cause cracking or splitting.
- Do not expose your furniture to any liquids. Never allow water to sit on your furniture. Alcohol, nail polish and perfume are also dangerous as they will dissolve the lacquer finish on contact and may require professional repairs.
- Do not allow plastic to come in direct contact with your furniture. Chemicals in the plastic of placements etc may soften and mark the finish if left in contact with the furniture for a period of time.
- Avoid placing sharp or rough objects on the surface of your furniture. These may scratch the surface of the product.
- When moving your furniture, do not drag it across the floor. This may damage the product. Instead use two (2) people to lift carefully from either end.