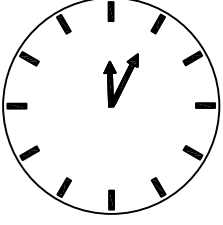
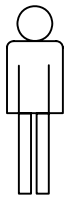


Imported by Amart Furniture Pty Ltd, Qld, Brisbane Australia.
For any assistance with assembly or for missing parts please
phone Amart Furniture. Ewing Road, Customer Service Free
Call 1800 351 084

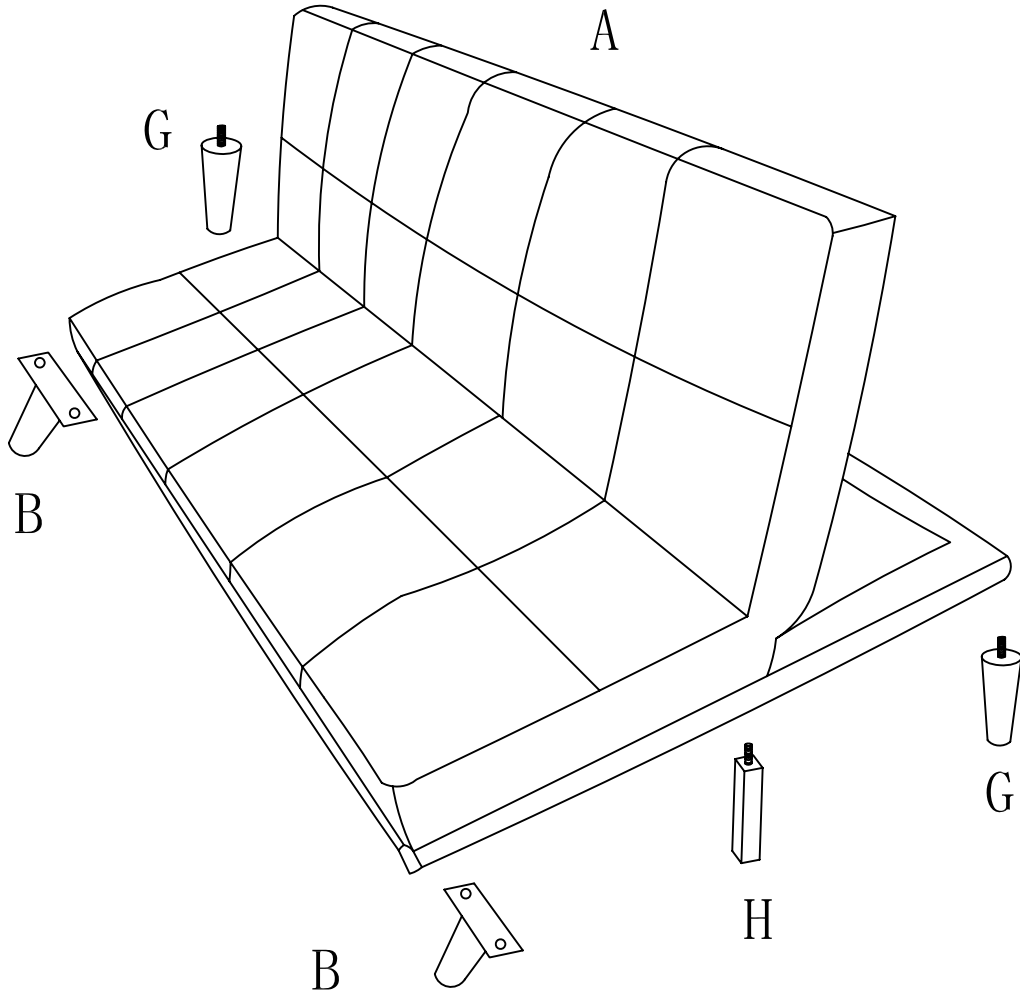
PRE-ASSEMBLY PREPARATION

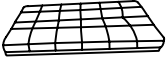
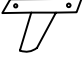






Before you start:

1. Choose a clean, level, spacious assembly area. Avoid hard surfaces that may damage the product
2. Take care when lifting. Product be assembled as near as possible to the point of use
3. Ensure that you have all required contents for complete assembly
4. Always read the assembly instructions carefully before beginning assembly
5. Keep all hardware parts and packaging out of small children
6. Do not over tighten the screws and bolts as this may damage the threads

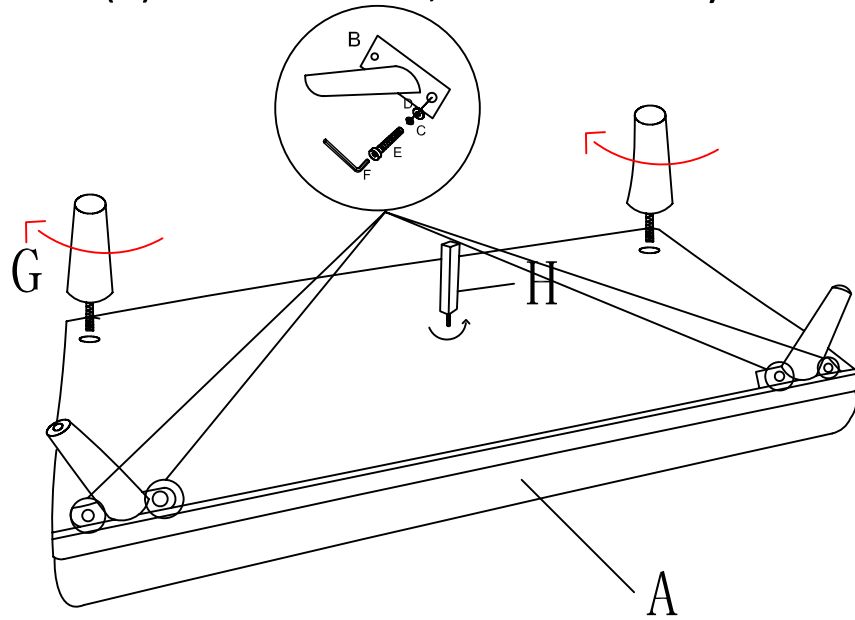
	
ALLOW 5 MINUTES	2 PEOPLE REQUIRED

PARTS LIST

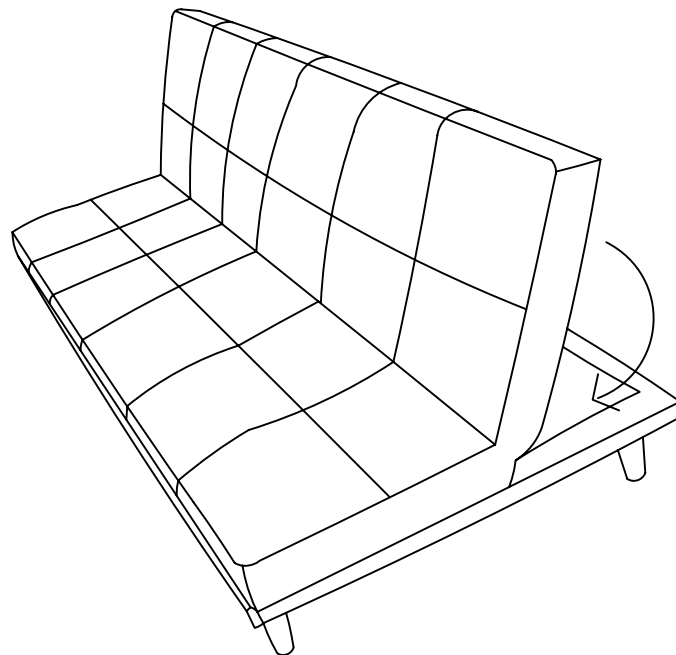


<p>A.1PC</p>  <p>Base frame</p>	<p>B.2PCS</p>  <p>Front Leg</p>	<p>C.4PCS</p>  <p>Spring Washer</p>	<p>D.4PCS*M8</p>  <p>Flat Washer</p>	<p>E.4PCS*M8</p>  <p>Bolt</p>	<p>F.1PC*M5</p>  <p>Allen Key</p>	<p>G.2PCS</p>  <p>Back Leg</p>
<p>H.1PC</p>  <p>Middle Leg</p>						

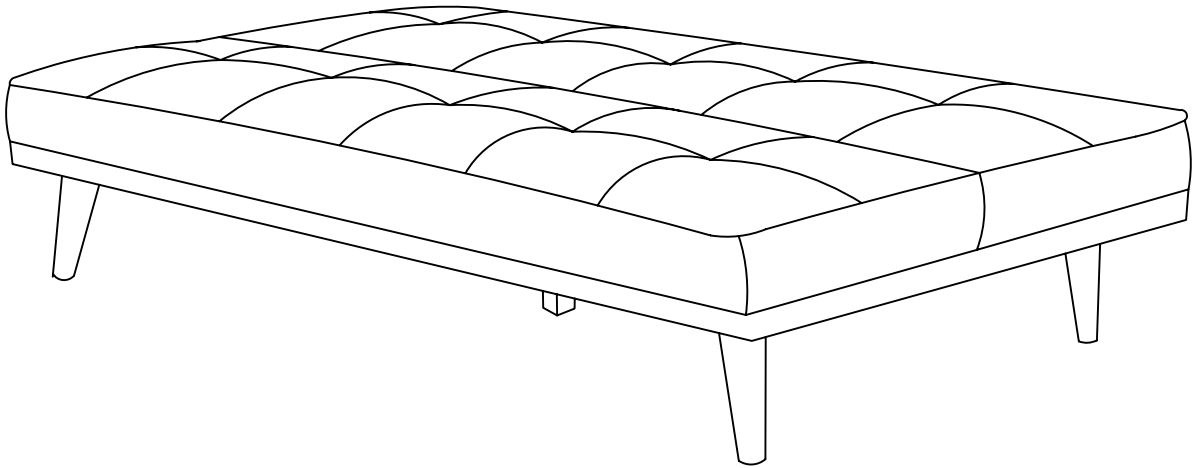
STEP 1 With 2 people carefully turn couch over onto sheet or cardboard to avoid damage. Attach front leg(B) to front side of base frame(A) ,back leg(G) to back side of base frame(A) ,puting spring washer(C) up on flat washer(D), using bolt(E) with C and D ,then fasten by allen key(F).



STEP 2 Can lay the sofa down to be a bed.



ASSEMBLY IS COMPLETE



IMPORTANT: PLEASE ENSURE FEET ARE TIGHTENED SECURELY BEFORE USE!
WARNING-Do not drag lounge on any surface due to timber base, must be lifted.
Two Person Lift Recommended

CARE AND MAINTENANCE

FABRIC CARE

REGULAR CARE: PROTECT FROM DIRECT SUNLIGHT. VACUUM REGULARLY USING LOW SUCTION. ROTATE REVERSIBLE CUSHIONS REGULARLY.

CLEANING:

DO NOT REMOVE CUSHION COVERS FOR SEPARATE CLEANING EVEN THOUGH THEY HAVE ZIPPERS.

DO NOT WASH

DO NOT DRY CLEAN

DO NOT SHAMPOO

CLEAN WITH HOT-WATER EXTRACTION MACHINE. (HOT)

PROFESSIONAL CLEANING RECOMMENDED

DO NOT USE DISHWASHING OR LAUNDRY DETERGENTS

USE ONLY UPHOLSTERY DETERGENTS

DO NOT WET FILLING

DRY IN SHADE AWAY FROM DIRECT HEAT AND SUNLIGHT ALLOW TO DRY THOROUGHLY BEFORE RE-USE

SPOT CLEANING:

DO NOT RUB

DO NOT SPOT CLEAN WITH ANY SOLVENT.

TREAT SPILLS AND STAINS AS SOON AS POSSIBLE.

GENTLY SCRAPE ANY SOIL OR MOP ANY LIQUID

FROM THE SURFACE OF THE FABRIC.

APPLY PROPRIETARY CLEANING AGENTS STRICTLY ACCORDING TO INSTRUCTIONS TO REMOVE THE RESIDUE OF THE SPILL.

DO NOT SATURATE THE FABRIC OR INTERIOR WITH WATER OR OTHER CLEANING LIQUIDS.

WARNING: APPLY ONLY WATER-BASED SOIL RESIST (FABRIC PROTECTION) TREATMENTS. DO NOT USE AEROSOL PRODUCTS.