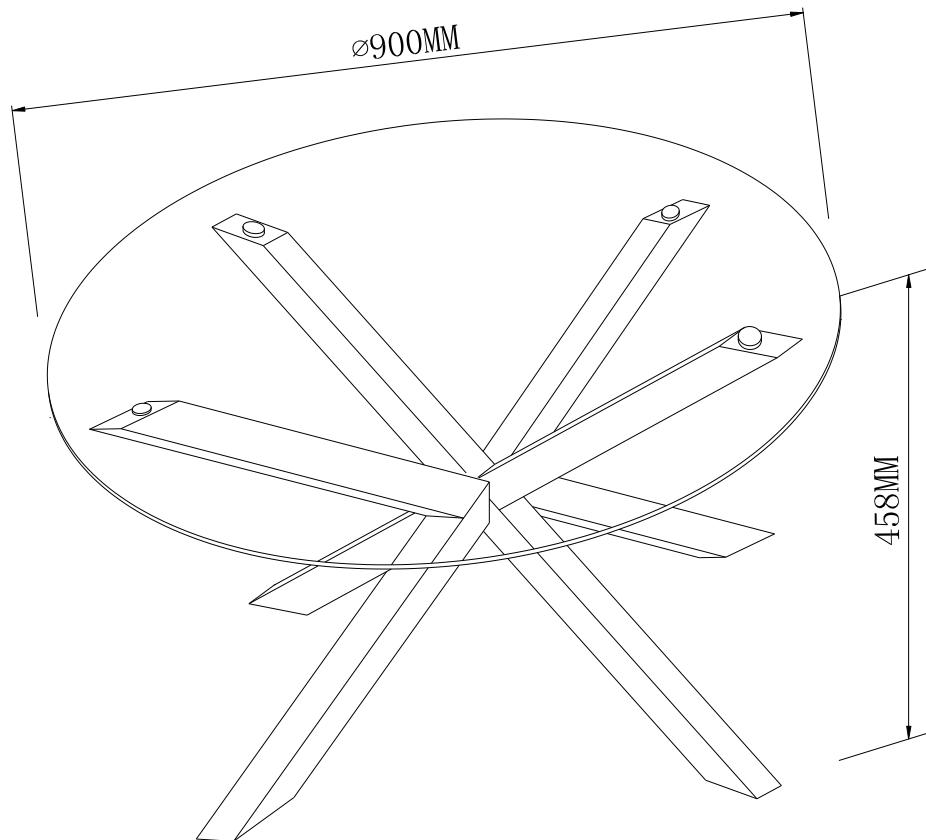




ASSEMBLY INSTRUCTION
PROMENADE ROUND COFFEE TABLE
ITEM CODE 62064

Imported by Amart Furniture Pty Ltd, Qld, Brisbane Australia.
For any assistance with assembly or for missing parts please
phone Amart Furniture, Customer Service Free call 1800 351
084



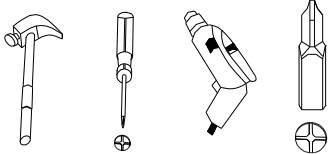


Imported by Amart Furniture Pty Ltd, Qld, Brisbane Australia.
For any assistance with assembly or for missing parts please phone
Amart Furniture, Customer Service Free call 1800 351 084

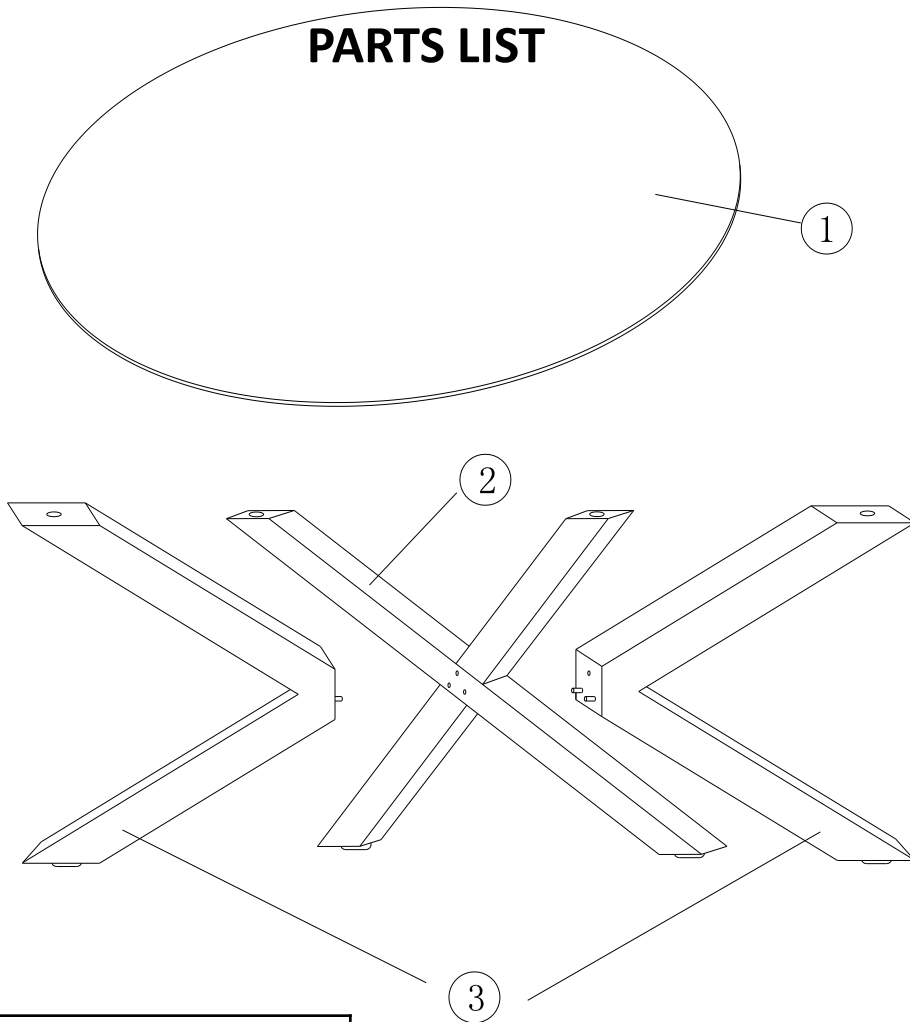
PRE-ASSEMBLY PREPARATION

Before you start:



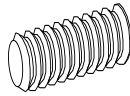
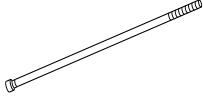
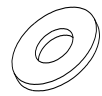

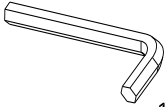


1. Choose a clean, level, spacious assembly area. Avoid hard surfaces that may damage the product
2. Take care when lifting. Product should be assembled as near as possible to the point of use
3. Ensure that you have all required contents for complete assembly
4. Always read the assembly instructions carefully before beginning assembly.
5. Keep all hardware parts and packaging out of reach of small children.
6. Do not over tighten the screws and bolts as this may damage the threads

	
ALLOW 20 MINUTES	2 PEOPLE REQUIRED
	
TOOLS REQUIRED	

PARTS LIST

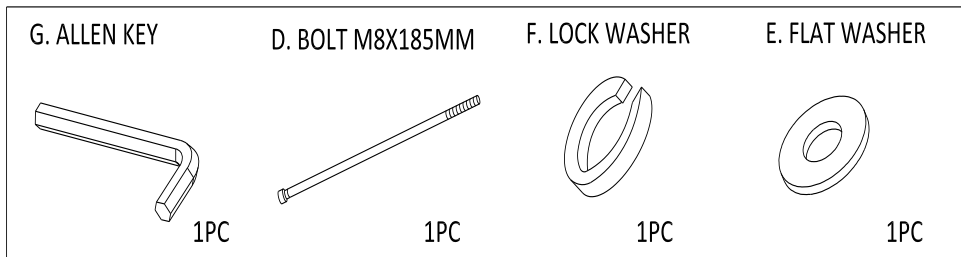


1	GLASS TABLE TOP
2	X-LEG WITH ADJUSTABLE FEET
3	V-LEG WITH ADJUSTABLE FEET

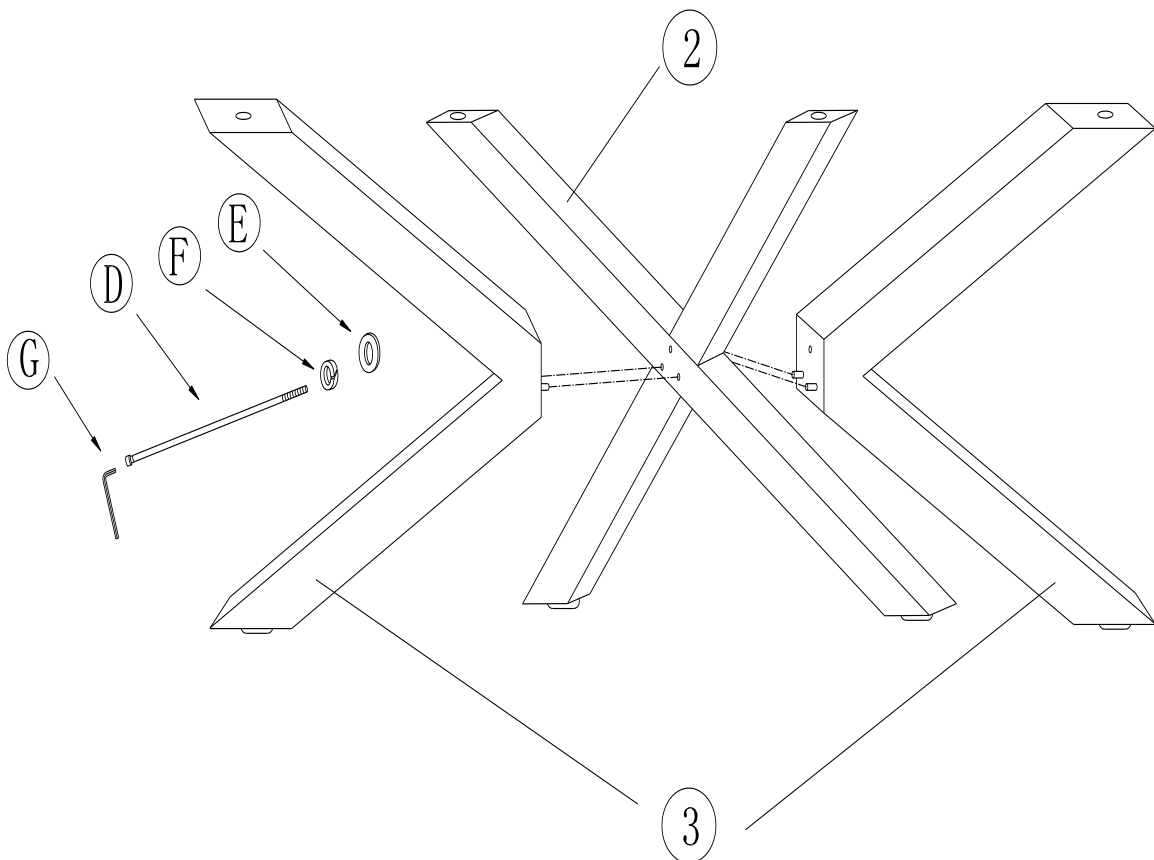
A. SILICONE PLATE $\varnothing 40\text{MM}$  4PCS	B. ALUMINIUM PLATE $\varnothing 40\text{MM} \times 8\text{MM}$  4PCS	C. BLOT M8X16MM  4PCS	D. BOLT M8X185MM  1PC	E. FLAT WASHER  1PC
F. LOCK WASHER  1PC	G. ALLEN KEY  1PC	H. CONNECTION  1PC	I. SCREW 4X15MM  4PCS	

ITEMS REQUIRED

1

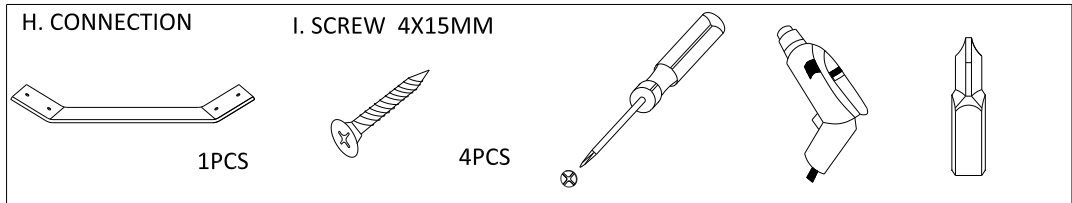


- Insert the dowel on the V-leg(3) into the X-leg(2).
- Attache the X-leg (2)&V-leg(3) using bolt(D)、 lock washer(F) and flat washer (E).
- Tighten with allen key(G).

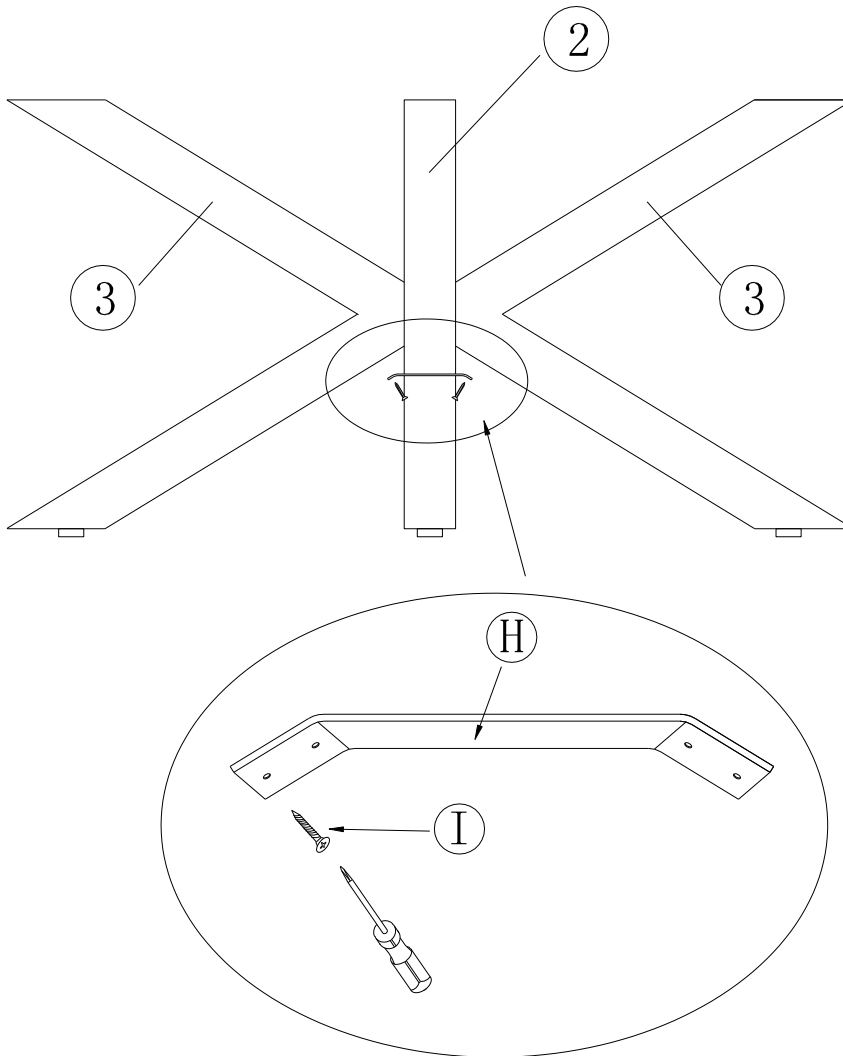


ITEMS REQUIRED

2



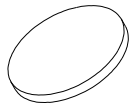
- Attach the two V-leg with the connection(H) using screw (I).
- Use Screwdriver or Power Drill on Low Speed.



ITEMS REQUIRED

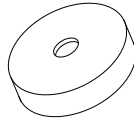
3

A. SILICONE PLATE
Ø40MM



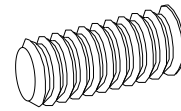
4PCS

B. ALUMINIUM PLATE
Ø40MMX8MM



4PCS

C. BOLT M8X16MM

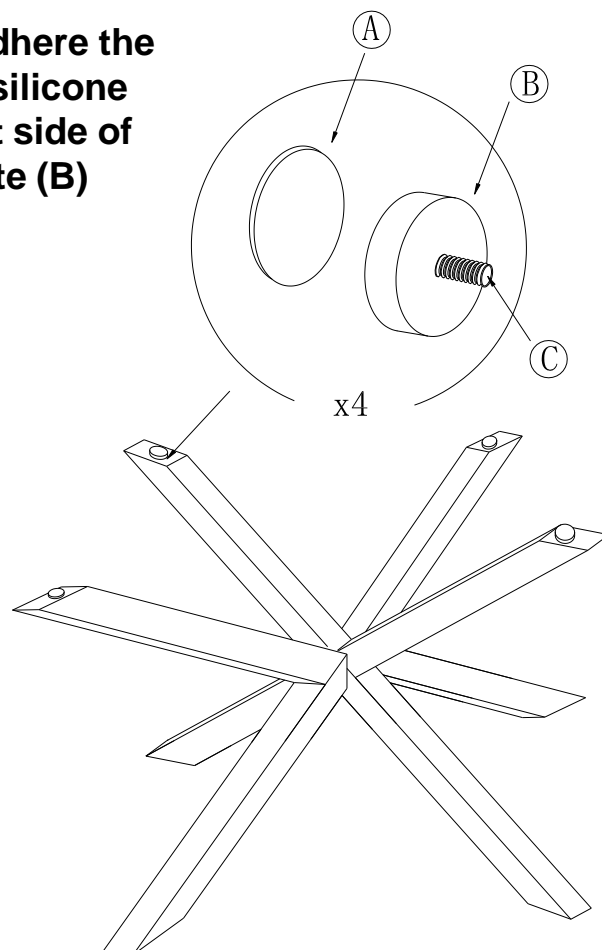


4PCS

- Peel film from the silicone plate (A) and adhere the sticky side of the silicone plate to the flat side of the aluminium plate (B)
- Put the bolt (C) into the aluminium plate (B).
- Then attach the aluminium plate (B) and the X-leg (2) & V-leg (3) with the bolt (C)

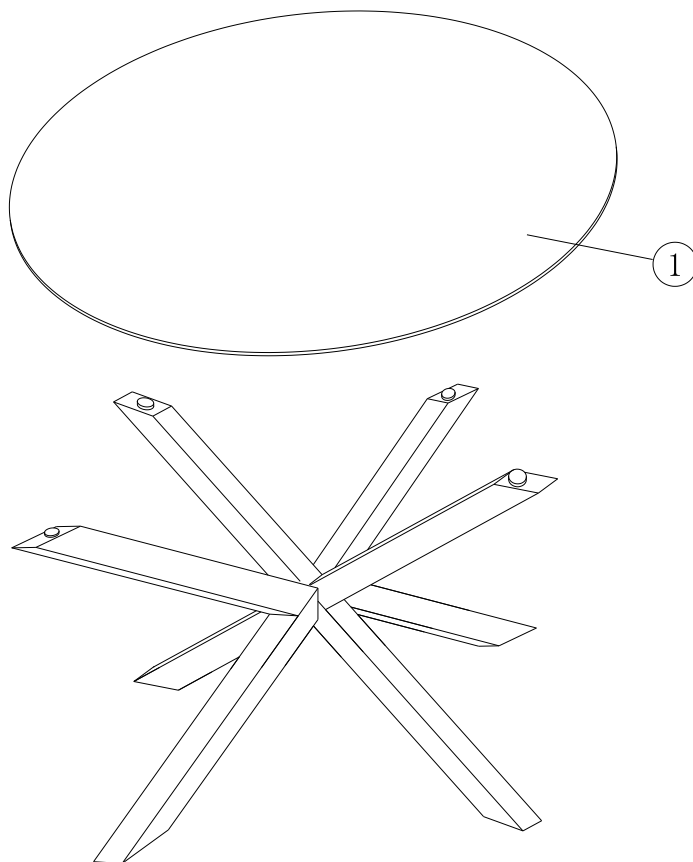


NOTE: Peel and adhere the sticky side of the silicone plate (A) to the flat side of the aluminium plate (B)

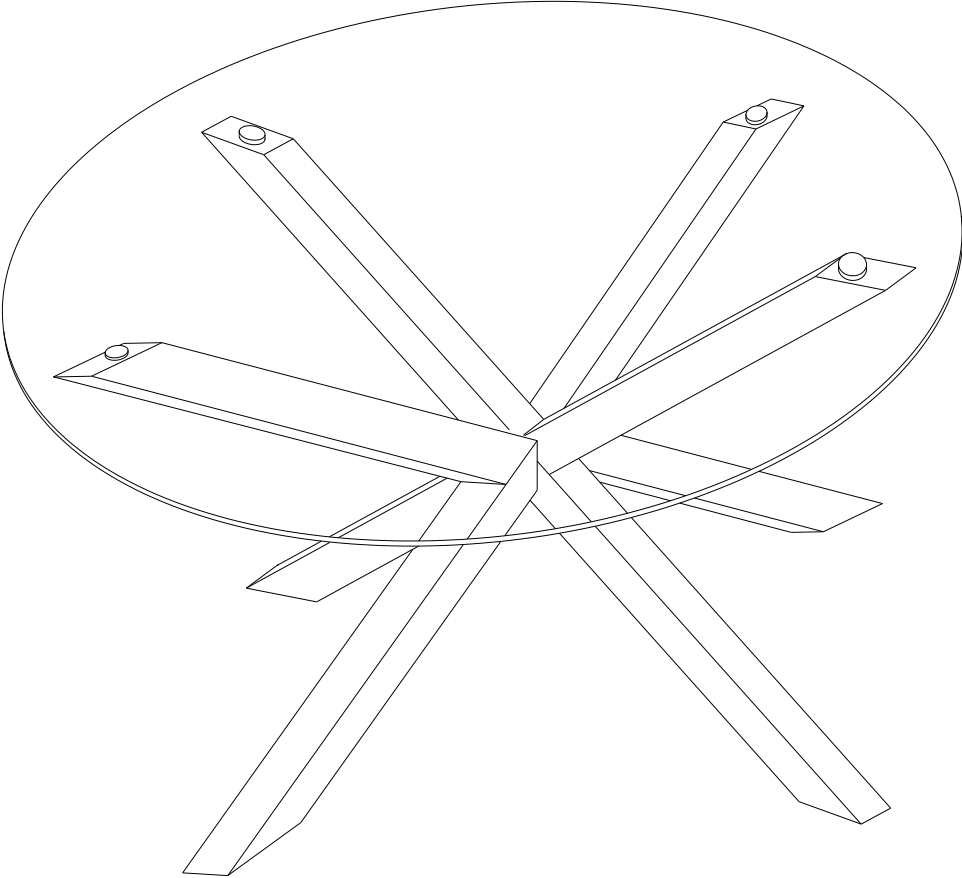


4

- Put the glass top on the legs.
- Rotate the bottom adjustable feet to make the table level.



ASSEMBLY IS COMPLETE



PRODUCT CARE:

If the glass is chipped or broken, stop using the product and consult place of purchase

WARNING:

- **Do not place very hot or cold items on the glass surface unless adequately thick table mats are used to prevent such items coming in contact with the glass**
- **Do not sit or stand upon the glass surface**
- **Do not use the glass as a chopping surface**
- **Do not strike the glass with hard or pointed items**
- **When cleaning the glass panels use a damp cloth or leather with washing up liquid or soft soap if necessary. Do not use washing powders or any other substances containing abrasives since these may scratch the glass**

Our furniture is built to last. Following these steps for basic care should protect your investment for years to come

- **Dust frequently with a clean damp lint-free cloth. This will help remove abrasive build up which can damage a finish over time**
- **Avoid exposing your furniture to strong sunlight, heat outlet, open windows or dampness. Prolonged exposure to direct sunlight can fade the finish of your furniture, while extreme temperature and humidity changes can cause cracking or splitting**
- **Do not allow plastic to come in direct contact with your furniture. Chemicals in the plastic of placemats etc. may soften and mark the finish if left in contact with the furniture for a period of time**