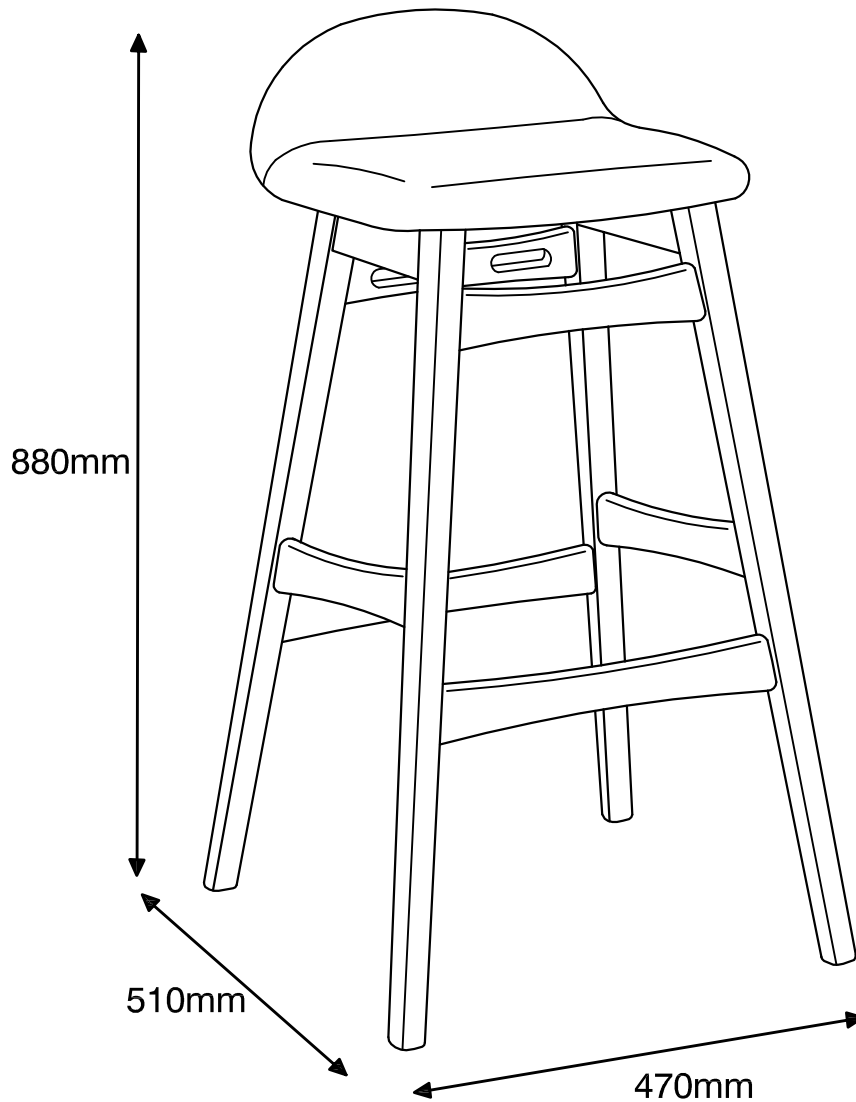




ASSEMBLY INSTRUCTION
ERIK BUCH REPLICA STOOL
ITEM CODE 54446

Imported by Amart Furniture Pty Ltd, Qld, Brisbane Australia.
For any assistance with assembly or for missing parts please phone
Amart Furniture Ewing Road, Customer Service Free call 1800 351 084

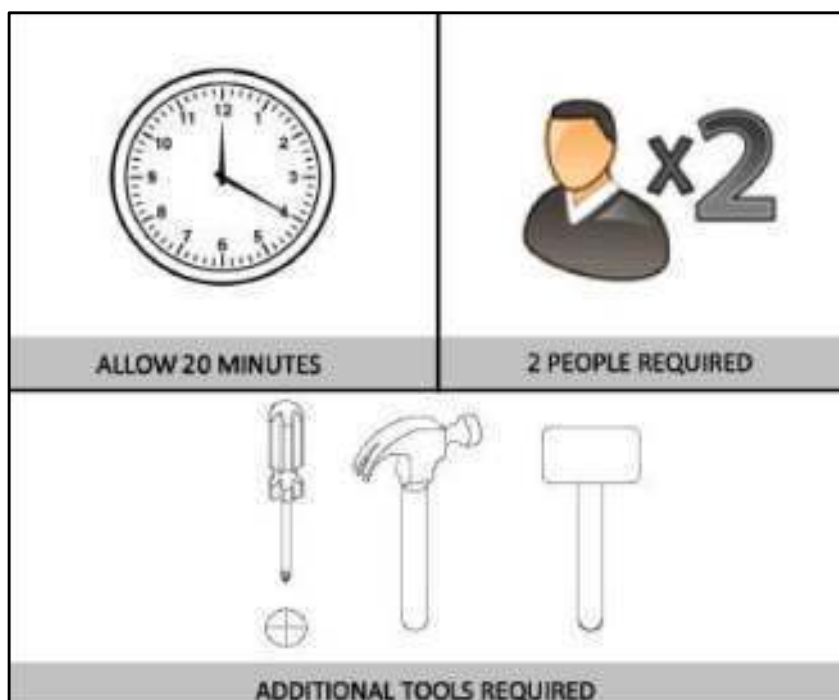


Imported by Amart Furniture Pty Ltd, Qld, Brisbane Australia.
For any assistance with assembly or for missing parts please phone
Amart Furniture Ewing Road, Customer Service Free call 1800 351 084

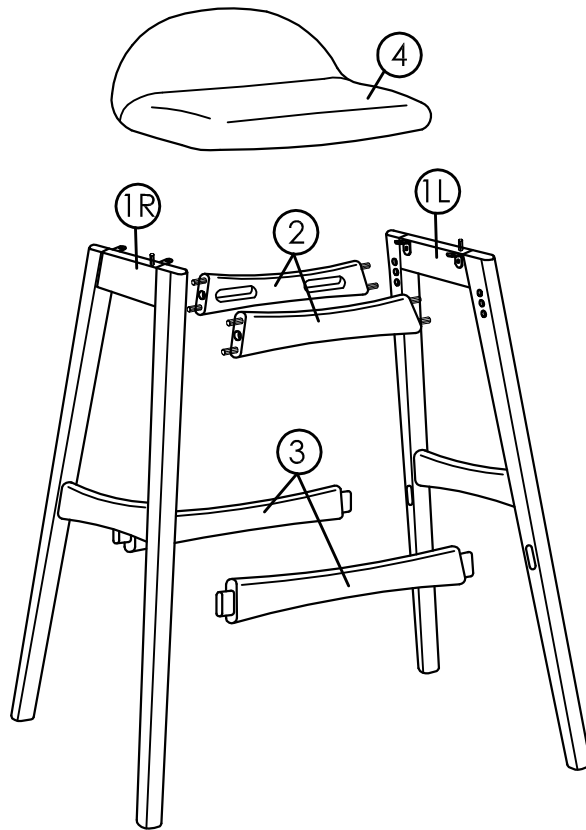
PRE-ASSEMBLY PREPARATION

Before you start:

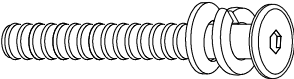


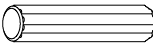
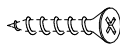
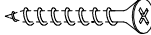
1. Choose a clean, level, spacious assembly area. Avoid hard surfaces that may damage the product
2. Take care when lifting. Product should be assembled as near as possible to the point of use
3. Ensure that you have all required contents for complete assembly
4. Always read the assembly instructions carefully before beginning assembly.
5. Keep all hardware parts and packaging out of reach of small children.
6. Do not over tighten the screws and bolts as this may damage the threads



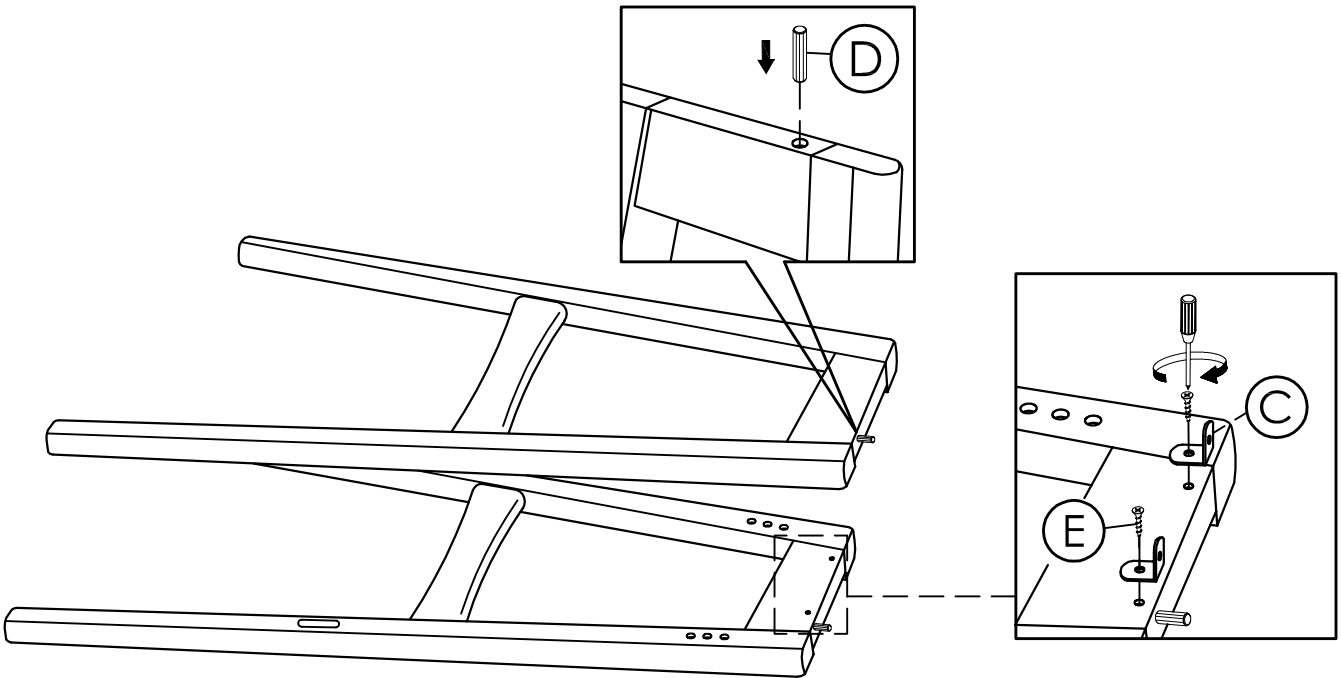
PARTS LIST



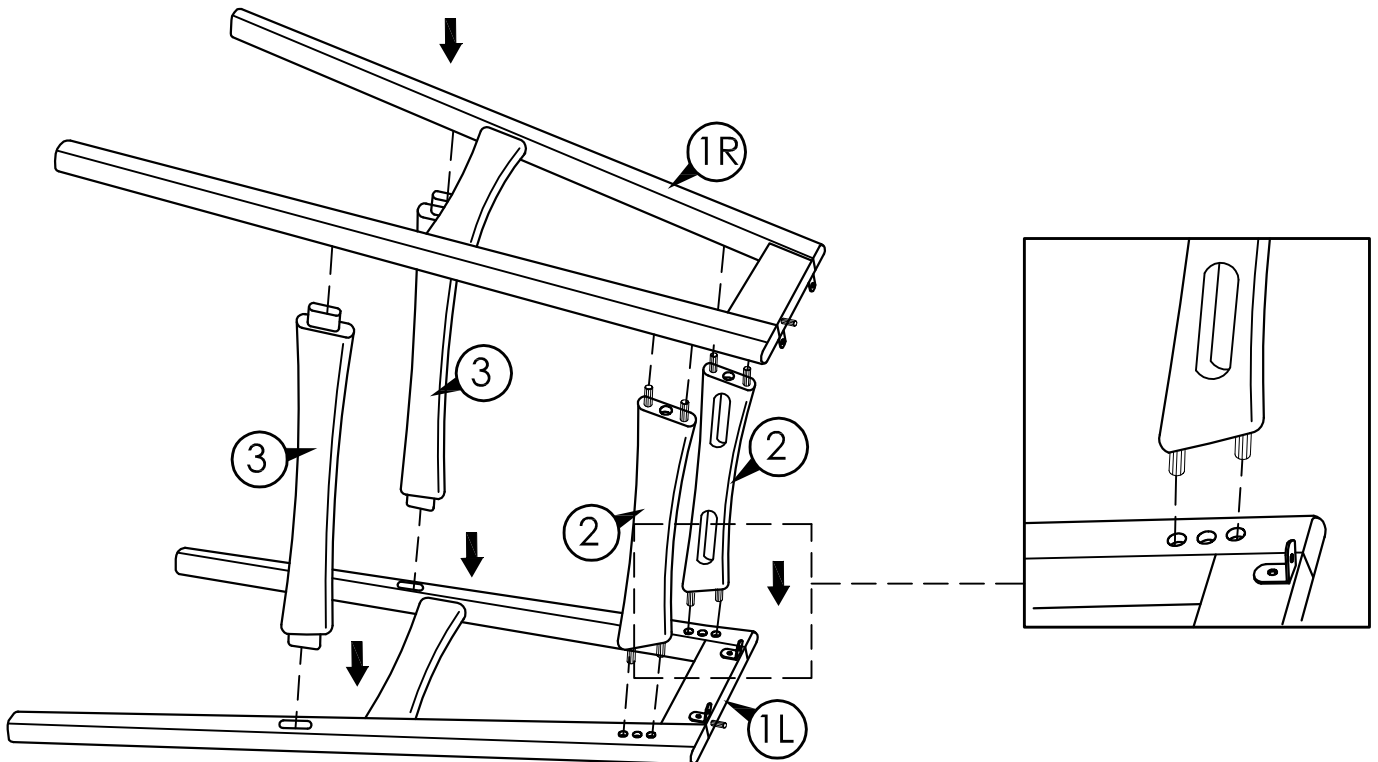
1	LEG (LEFT / RIGHT)	2PCS
2	TOP STRECTHER	2PCS
3	BOTTOM STRECTHER	2PCS
4	CUSHION SEAT	1PC

<p>A. JCBC Bolt M6 x 45mm + S/W M6 + F/W M6 x 13mm</p>  <p>4pcs</p>	<p>B. Allen Key M4</p>  <p>1pc</p>	<p>C. L - Bracket</p>  <p>4pcs</p>
<p>D. Wood Dowel M8 x 25mm</p>  <p>2pcs</p>	<p>E. CSK Screw M3.5 x 12mm</p>  <p>8pcs</p>	<p>F. FH Screw #8 x 32mm</p>  <p>4pcs</p>

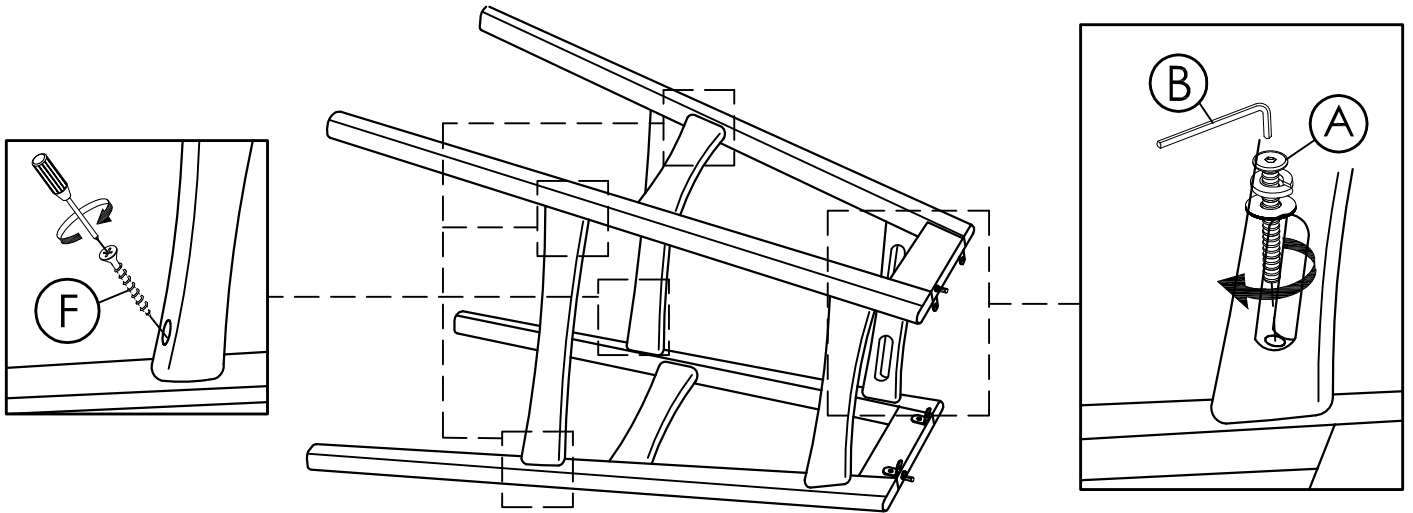
STEP 1 : Slot in the wood dowel (D) onto the side leg frame Left and Right. Fix the L-Bracket (C) on the side leg frame using screw (E).



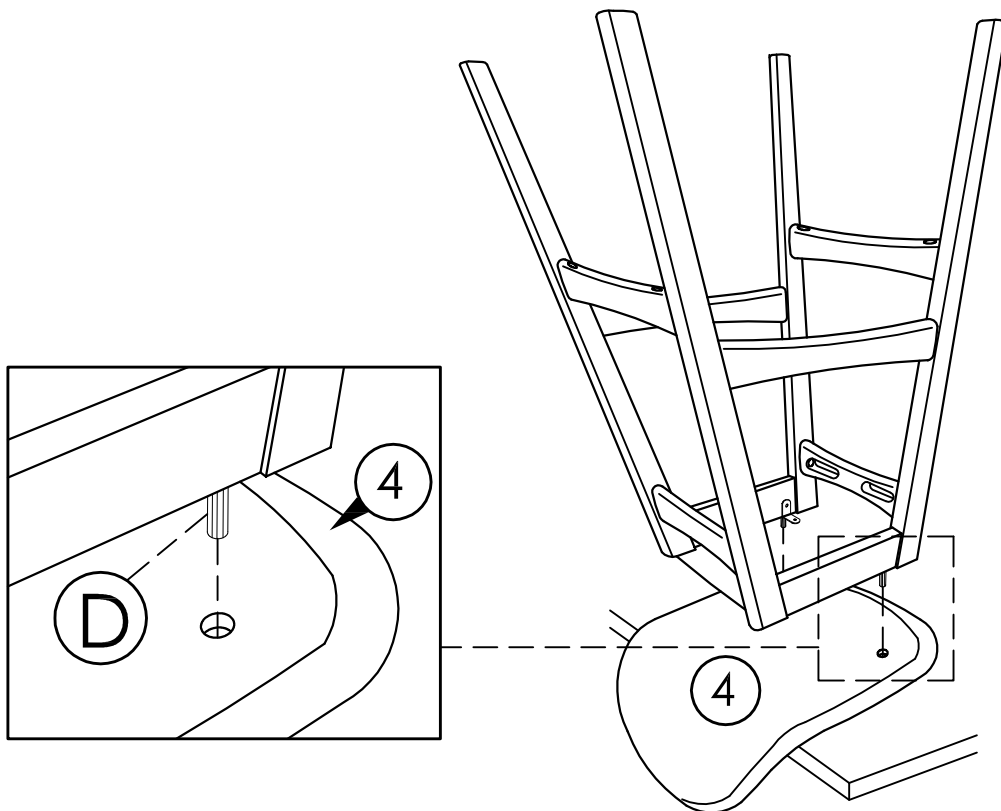
STEP 2 : Slot in the upper [2] and bottom [3] stretcher onto the side leg frame.



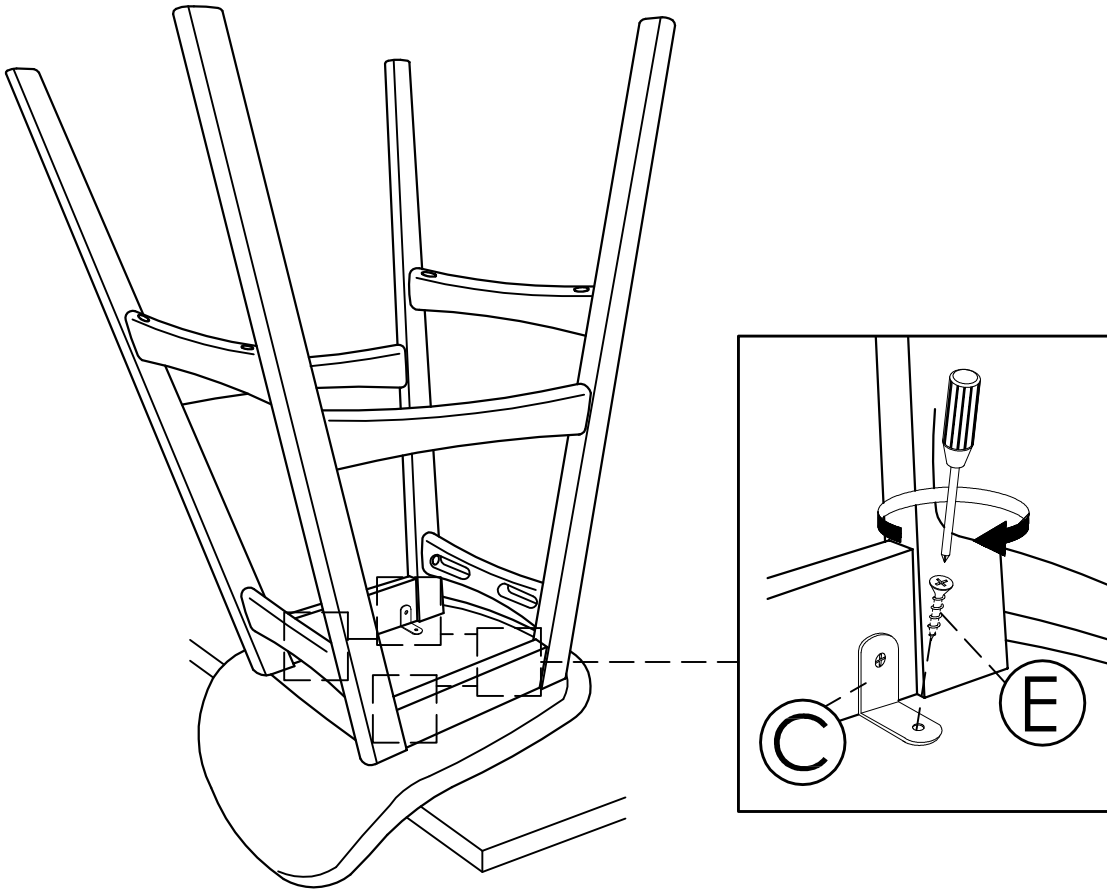
STEP 3 : Fix the stretcher **2** and **3** onto the side leg frame using the bolt **(A)** + Spring washer + Flat washer using Allen Key **(B)**.
Fix the stretcher with screw **(F)** using screwdriver not provided.



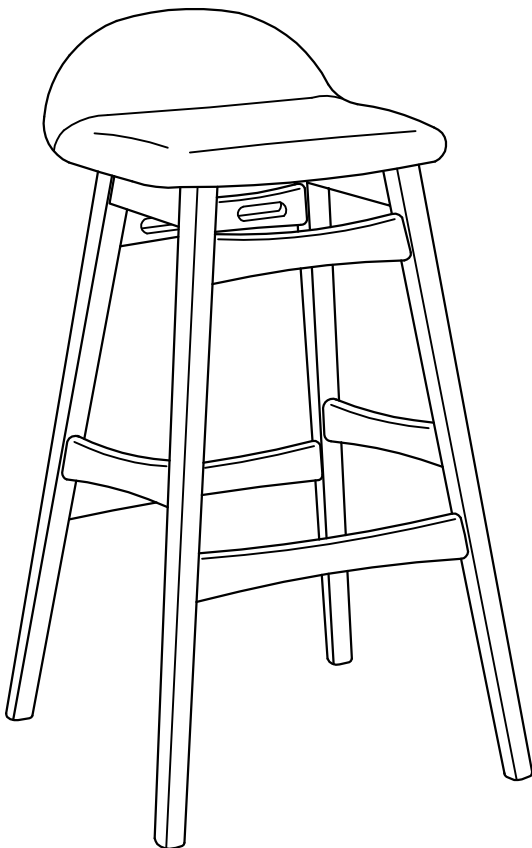
STEP 4 : Slot in the wood dowel **(D)** onto the cushion seat **4** hole.



STEP 5 : Fix the cushion seat **4** using the screw **(E)** on the L-Bracket **(C)** .



STEP 6 :



Important note-

Before finally tightening the bolts, place the assembled chair upright on a level surface and sit carefully on the chair to ensure the chair legs are aligned and level. Then tighten all bolts and your chair is ready for use.

ASSEMBLY COMPLETED

IMPORTANT: CARE GUIDE FOR YOUR FABRIC CHAIR

Congratulations! You have just purchased a quality product from Amart Furniture, Australia's largest discount furniture retail store. Please read on for important care information regarding your purchase...

Regular Care:

Always protect your product from direct sunlight, direct heat, and weather. Vacuum regularly using a low suction setting.

Cleaning:

Do not remove cushion covers for separate cleaning even though they may have zips. Do not wash. Do not dry clean. Do not use dishwashing or laundry detergents or solvents. Do not wet the internal filling.

It is recommended that cleaning be done with a hot water extraction machine only by a professional cleaner.

Spot cleaning:

Do not rub or scrub. Do not spot clean with any solvent.

Treat spills and stains as soon as possible.

Gently scrape any soil or mop and liquid from the surface of the fabric.

Apply proprietary cleaning agents to the residue of the spill, strictly according to the manufacturer's instructions.

Do not saturate the fabric or interior filling with water or other cleaning liquids.

Important note:

Apply only water-based soil resistant (fabric protection) treatments.

Do not aerosol fabric protection products.

Clean timber legs with a clean, soft cloth dampened with water.

